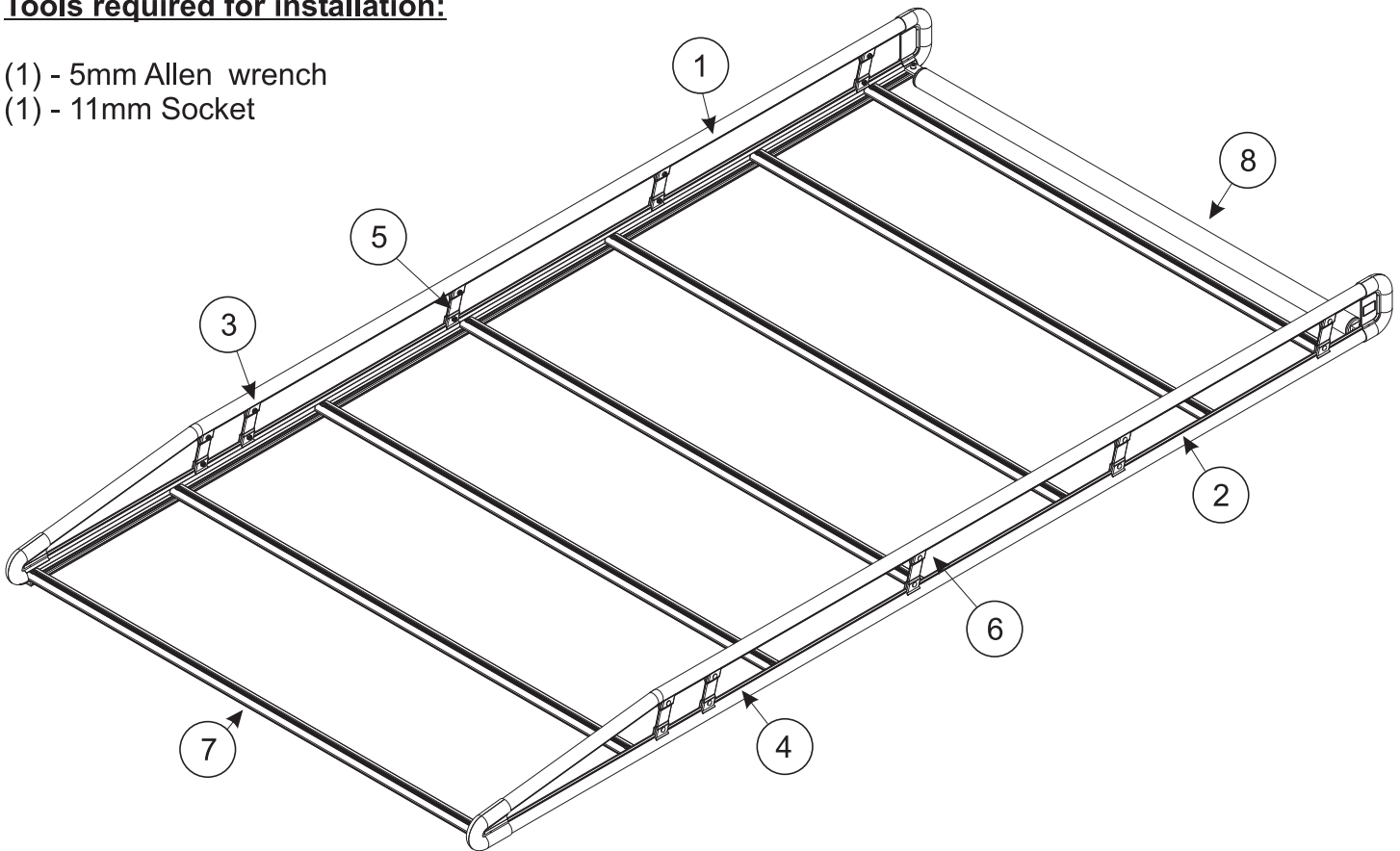


AluRack ASSEMBLY INSTRUCTIONS

AluRack Fully Assembled Illustration

Tools required for installation:

- (1) - 5mm Allen wrench
- (1) - 11mm Socket



Content:

- Page 2 : Packaging List.
- Page 3-5 : Rack Assembly.
- Page 6 : Roller (optional) Assembly.
- Page 7 : Replacement Parts

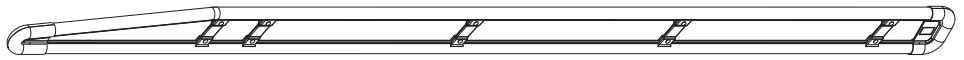
AluRack Model: (See your shipping details)

ITEM QTY DESCRIPTION

① 1 .. Length : 80"



② 1 .. Length : 80"



③ _B_ .. Length : 49"

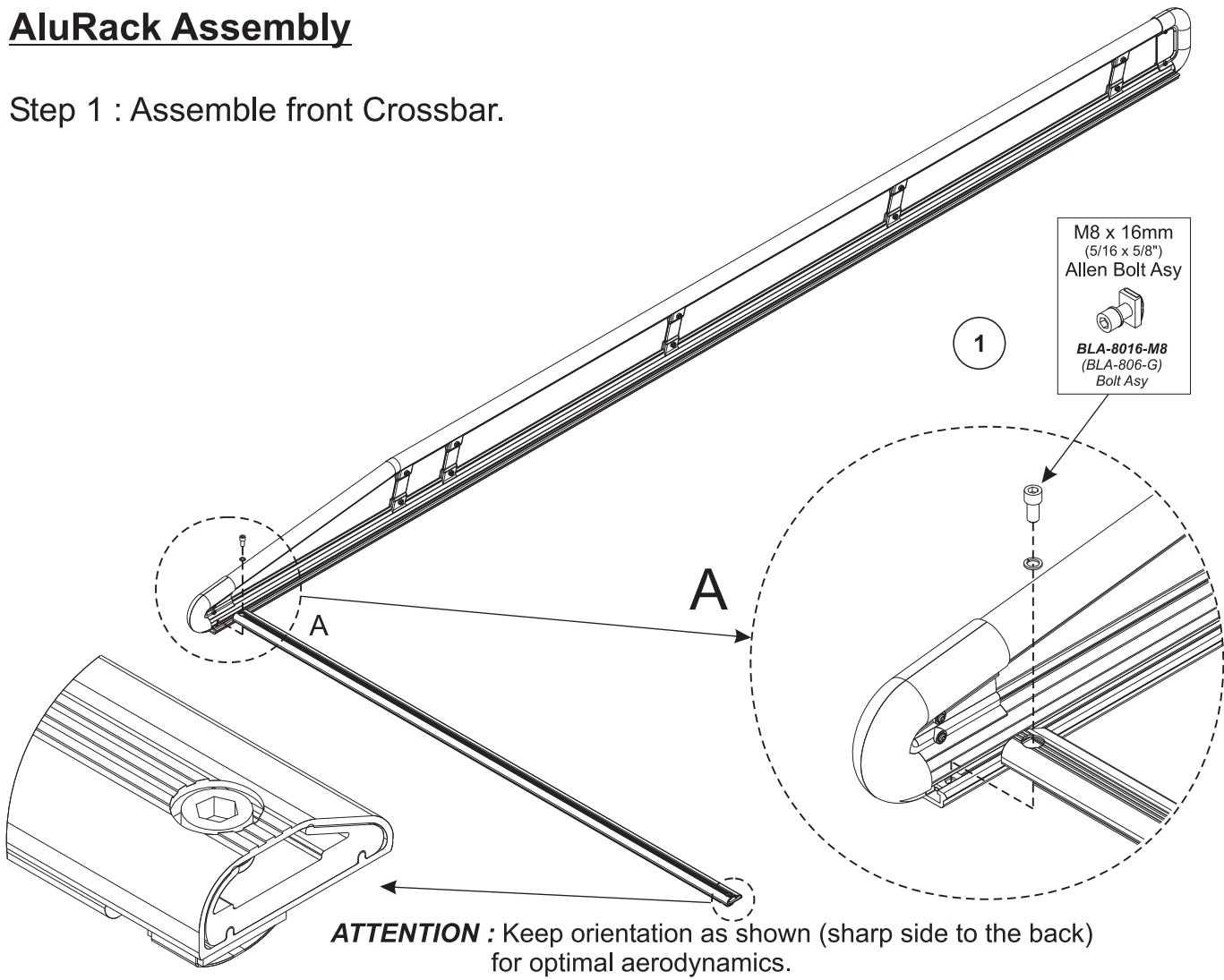


④ 1 .. Length : 49"



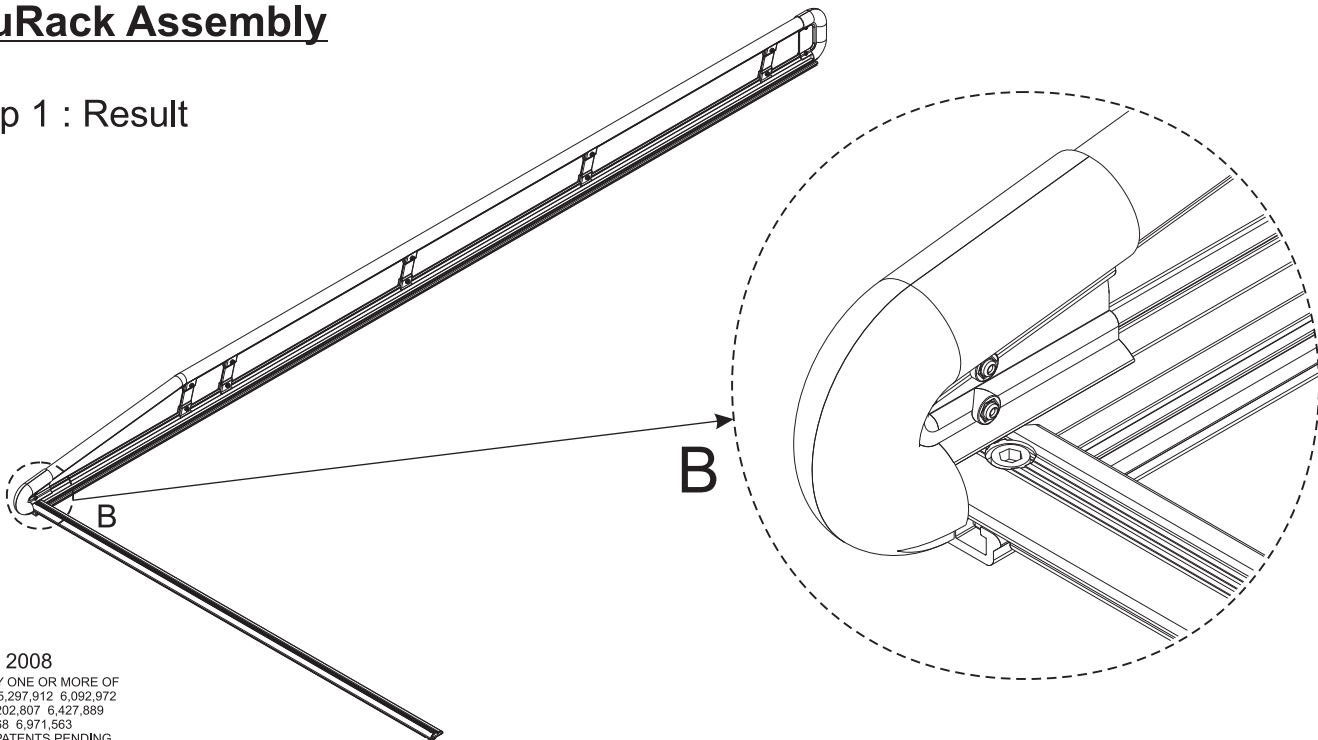
AluRack Assembly

Step 1 : Assemble front Crossbar.



AluRack Assembly

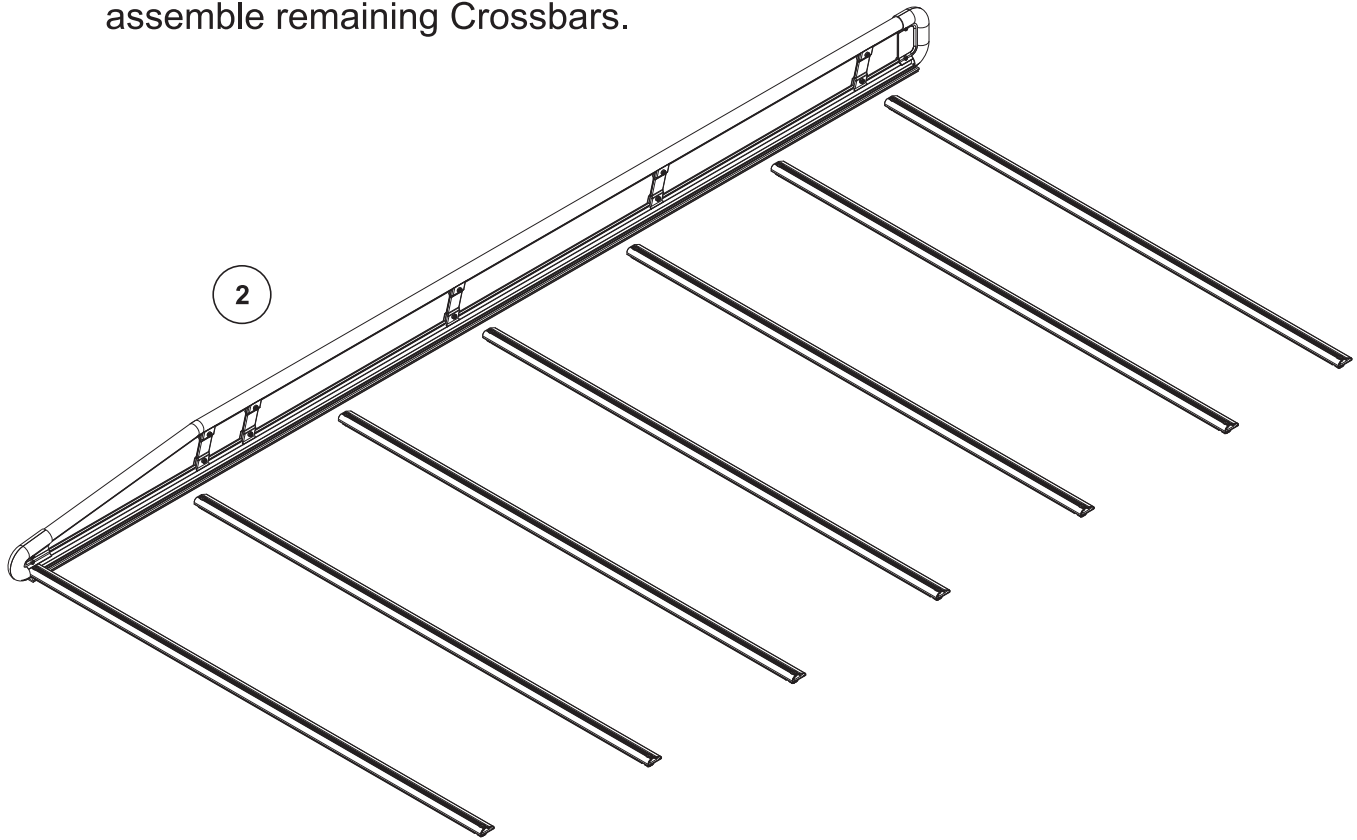
Step 1 : Result



© 2008
PROTECTED BY ONE OR MORE OF
PATENT NO.'S 5,297,912 6,092,972
6,099,231 6,202,807 6,427,889
6,764,268 6,971,563
AND OTHER PATENTS PENDING

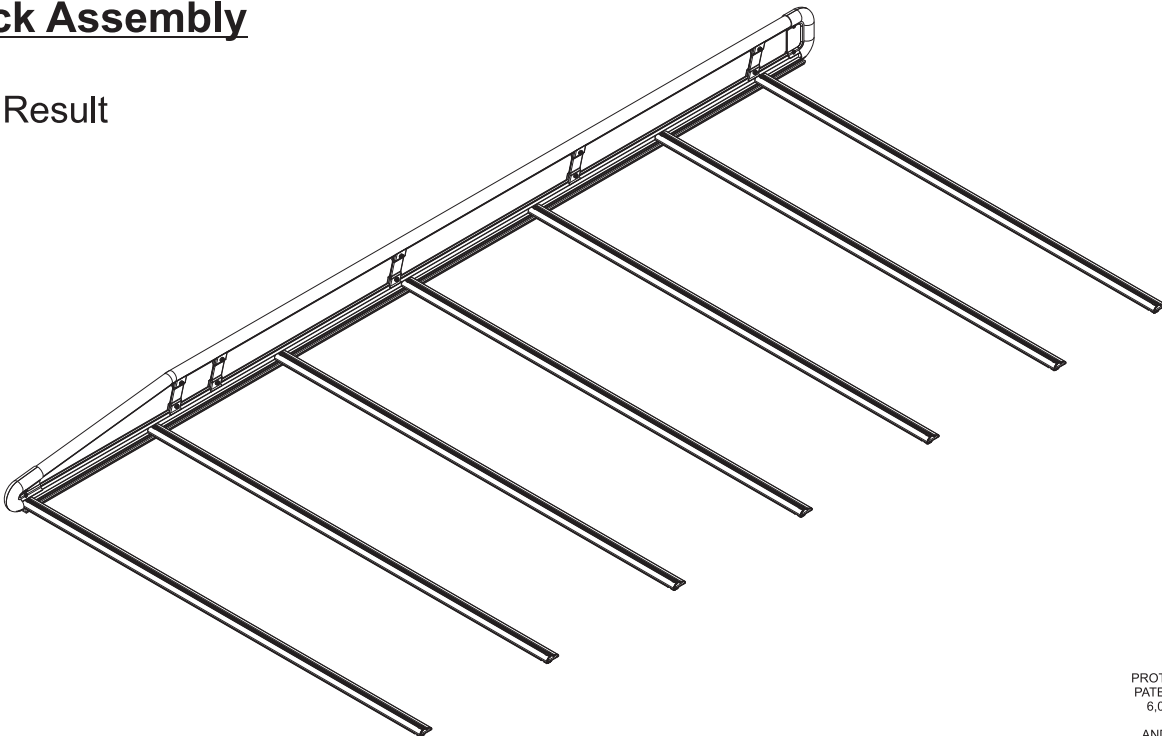
AluRack Assembly

Step 2 : Repeat step 1 and
assemble remaining Crossbars.



AluRack Assembly

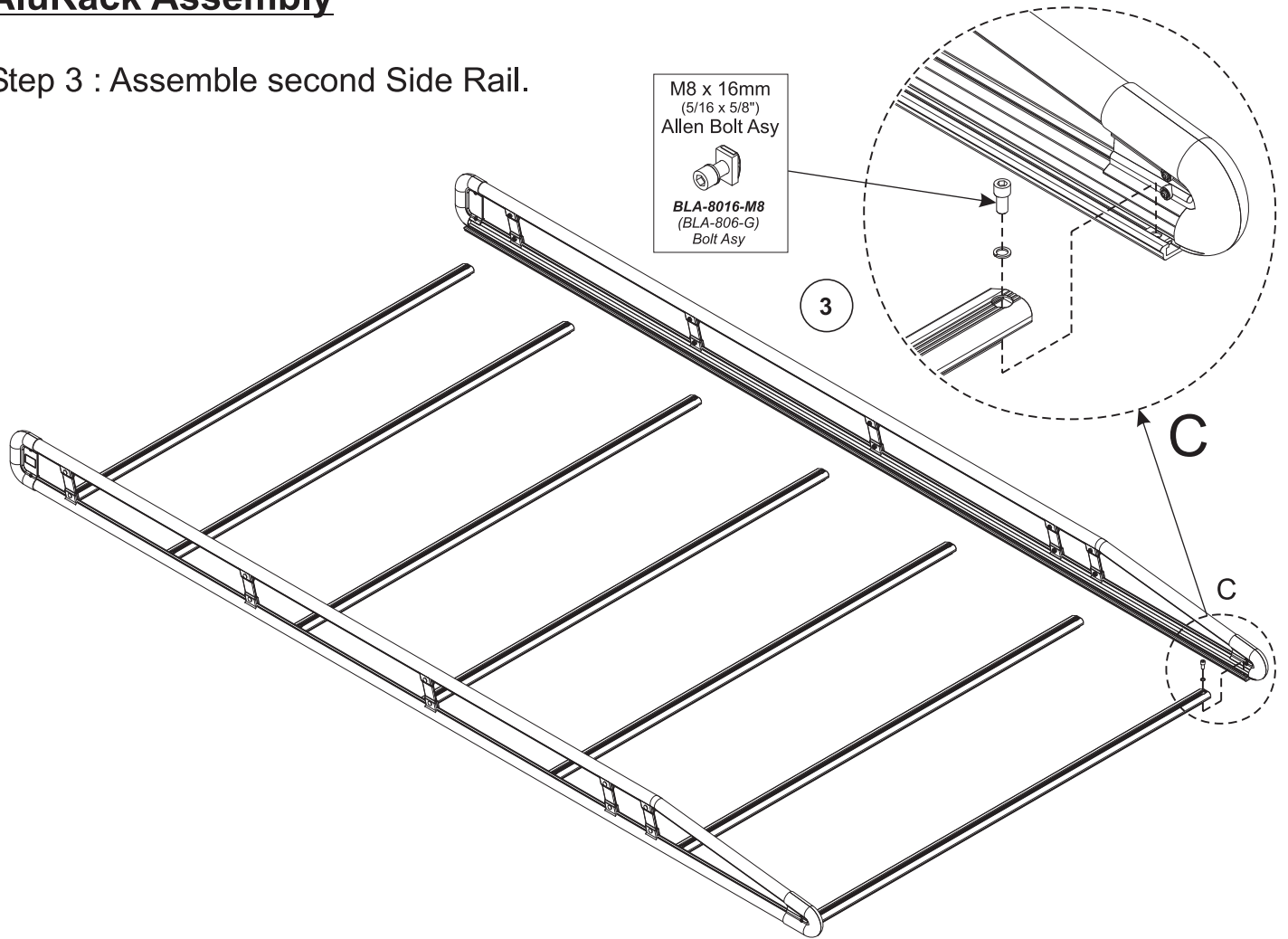
Step 2 : Result



© 2008
PROTECTED BY ONE OR MORE OF
PATENT NO.'S 5,297,912 6,092,972
6,099,231 6,202,807 6,427,889
6,764,268 6,971,563
AND OTHER PATENTS PENDING

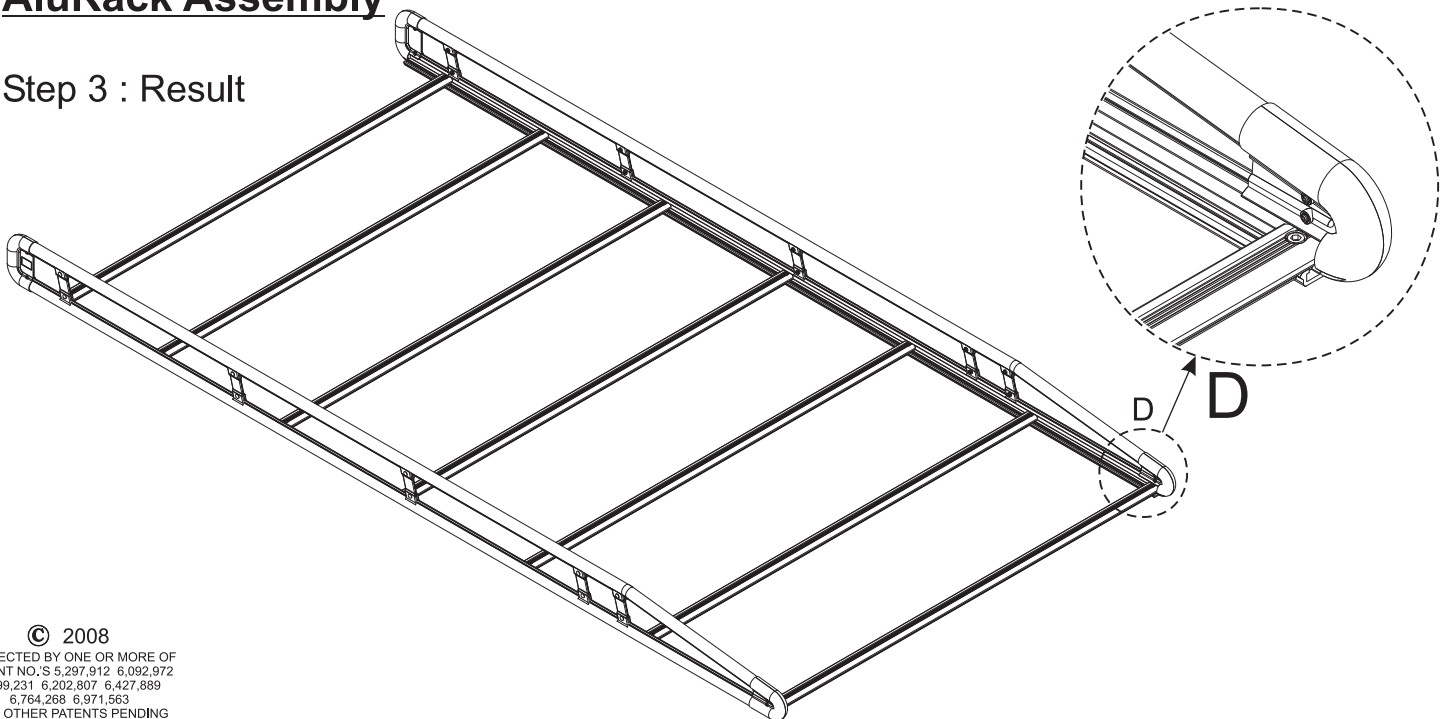
AluRack Assembly

Step 3 : Assemble second Side Rail.



AluRack Assembly

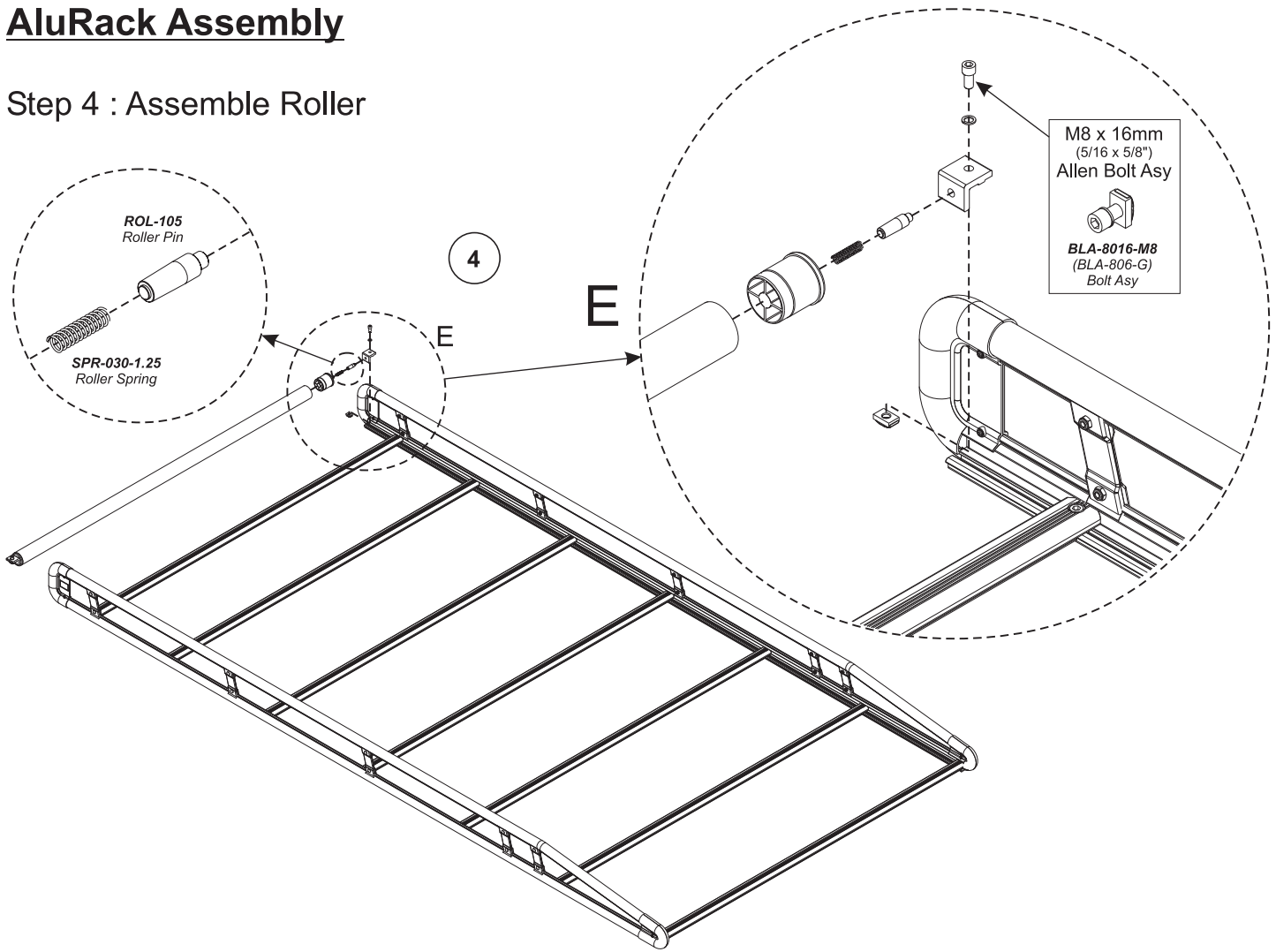
Step 3 : Result



© 2008
PROTECTED BY ONE OR MORE OF
PATENT NO.'S 5,297,912 6,092,972
6,099,231 6,202,807 6,427,889
6,764,268 6,971,563
AND OTHER PATENTS PENDING

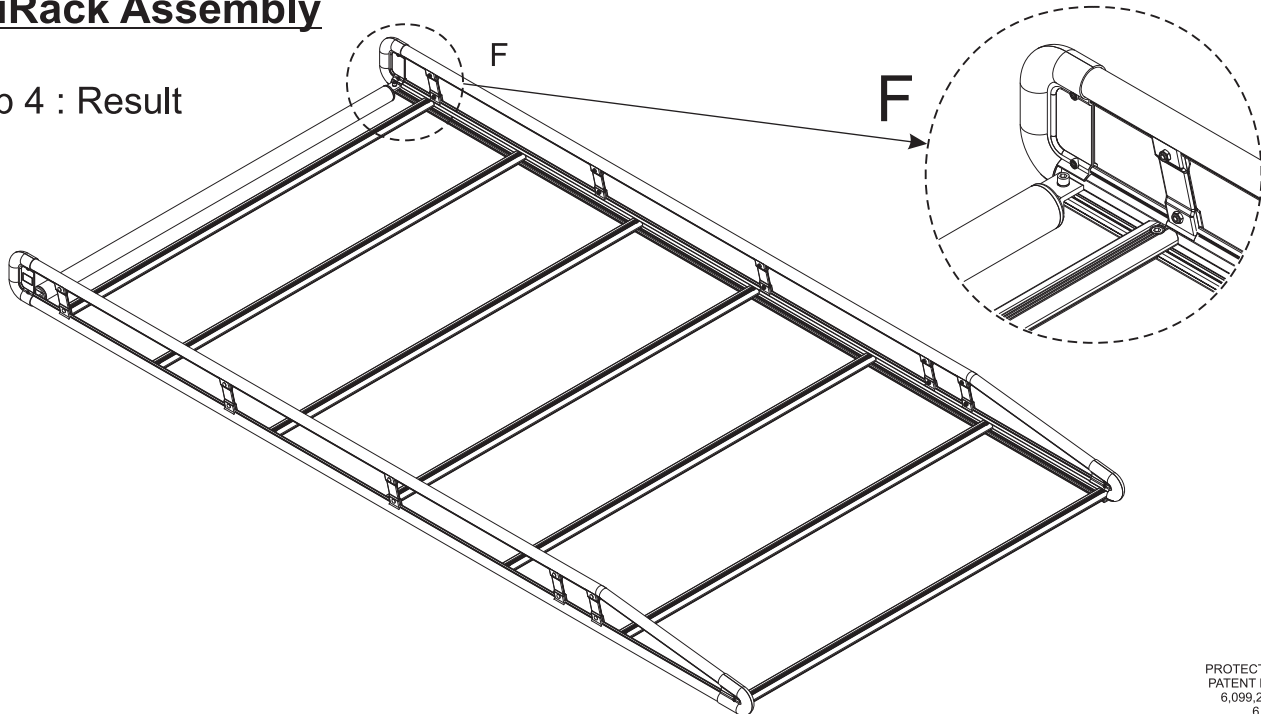
AluRack Assembly

Step 4 : Assemble Roller



AluRack Assembly

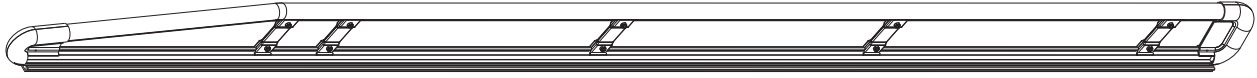
Step 4 : Result



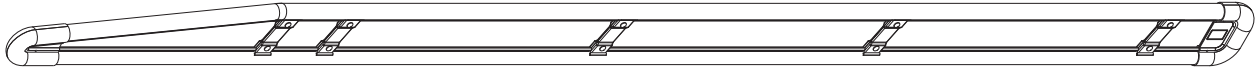
© 2008
PROTECTED BY ONE OR MORE OF
PATENT NO.'S 5,297,912 6,092,972
6,099,231 6,202,807 6,427,889
6,764,268 6,971,563
AND OTHER PATENTS PENDING

Replacement Parts :

Replacement Parts: AluRack Rail, RH. Part No. **AR1-A-R** (1000mm), **AR1-B-R** (1400mm), **AR1-C-R** (1600mm), **AR1-D-R** (1800mm), **AR1-E-R** (2000mm), **AR1-F-R** (2200mm), **AR1-H-R** (2500mm), **AR1-I-R** (2600mm), **AR1-J-R** (2800mm), **AR1-K-R** (3000mm) or **AR1-L-R** (3200mm) - see below.



Replacement Parts: AluRack Rail, LH. Part No. **AR1-A-L** (1000mm), **AR1-B-L** (1400mm), **AR1-C-L** (1600mm), **AR1-D-L** (1800mm), **AR1-E-L** (2000mm), **AR1-F-L** (2200mm), **AR1-H-L** (2500mm), **AR1-I-L** (2600mm), **AR1-J-L** (2800mm), **AR1-K-L** (3000mm) or **AR1-L-L** (3200mm) - see below.



Replacement Parts: AluRack Crossbar, Part No. **AR1-1** (450mm), **AR1-2** (900mm), **AR1-4** (1250mm), **AR1-5** (1350mm), **AR1-6** (1500mm) or **AR1-8** (1700mm) - see below.



Replacement Parts: AluRack Roller, Part No. **ARL1-1** (450mm), **ARL1-2** (900mm), **ARL1-4** (1250mm), **ARL1-5** (1350mm), **ARL1-6** (1500mm) or **ARL1-8** (1700mm) - see below.



© 2008

PROTECTED BY ONE OR MORE OF
PATENT NO.'S 5,297,912 6,092,972
6,099,231 6,202,807 6,427,889
6,764,268 6,971,563
AND OTHER PATENTS PENDING