

PRIME DESIGN™

A Safe Fleet Brand

AAL-8009

2015+ Ford Transit-H2 Rear Door Access Ladder

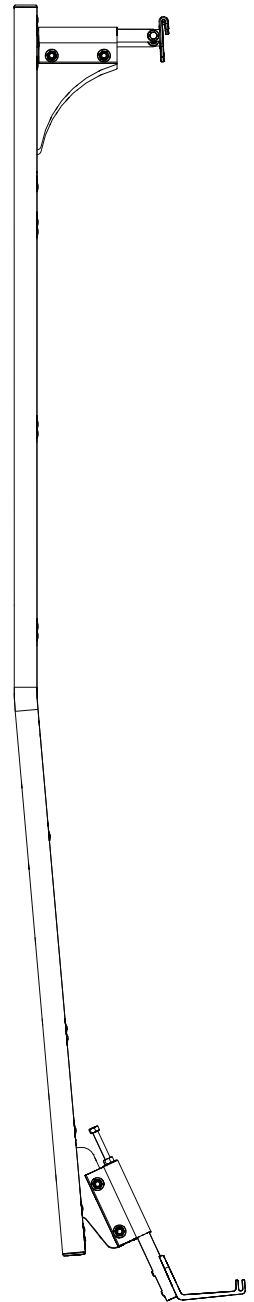
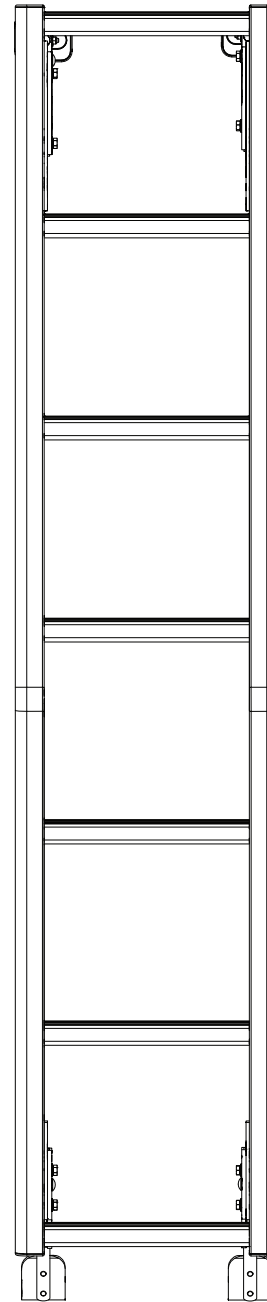
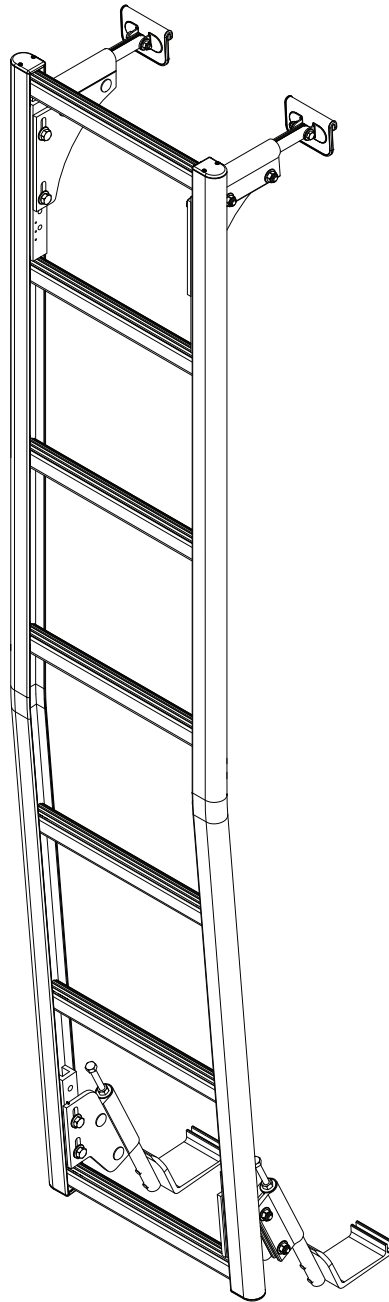
Dimensional Specifications on Page 2

Configuration as shown:

Finish: Bright Anodized

Vehicle-Specific Mounting Bracket System

Overall Weight (empty): 18.75 lbs

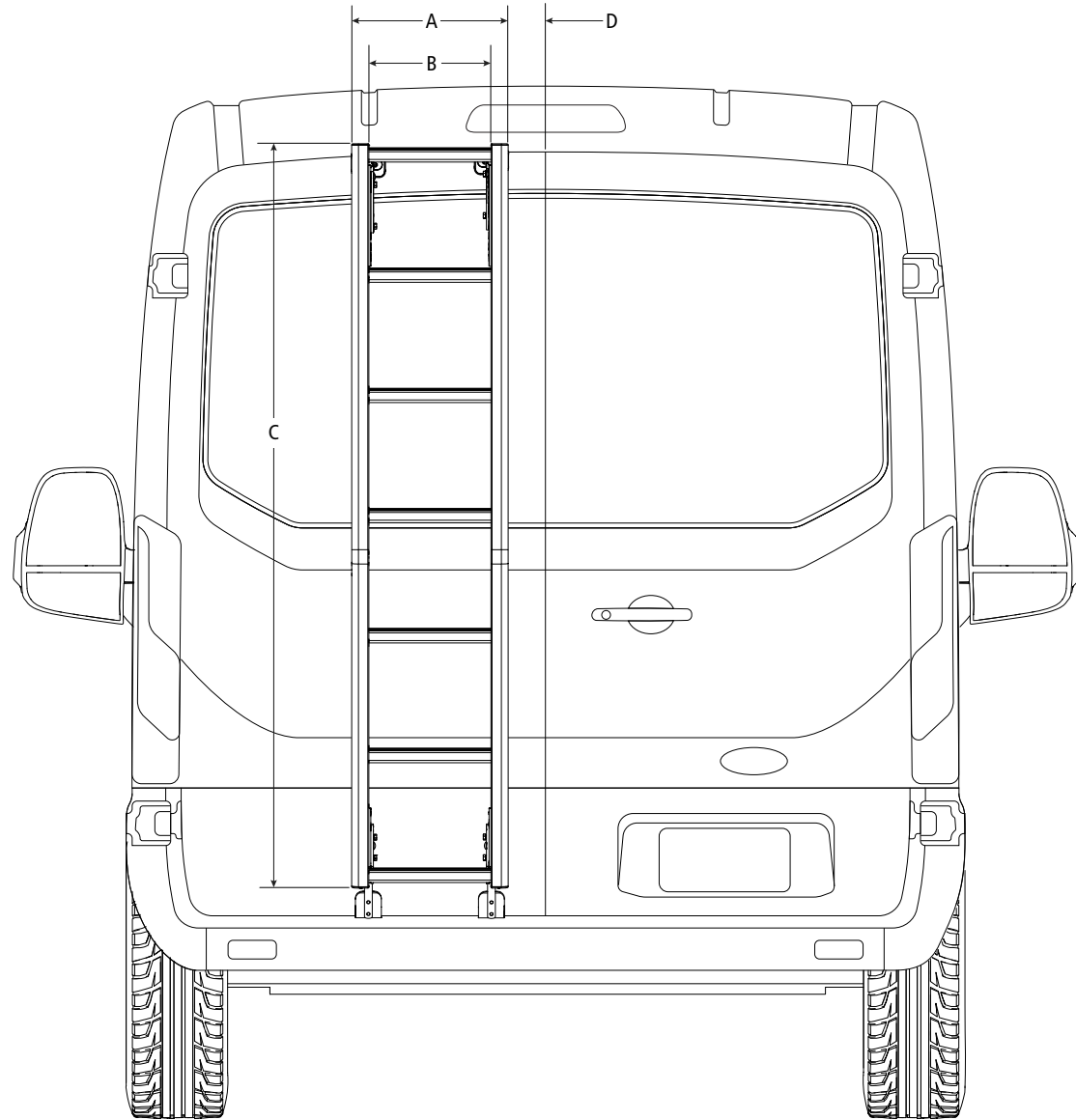


AAL-8009

2015+ Ford Transit-H2 Rear Door Access Ladder

Approximate dimensions as shown:

- A: Overall Ladder Width 15"
- B: Usable Ladder Width 11.75"
- C: Ladder Height 72"
- D: Door Seam Offset 3.125"



Assembly Manual also available:

AAL-8009

USOV-AAL8009-US01 Rev-B 0118