

AAL-8010

2015+ Ford Transit-H1 Rear Door Access Ladder

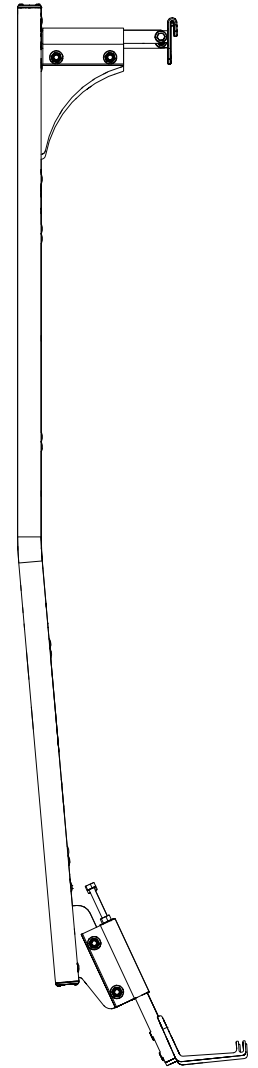
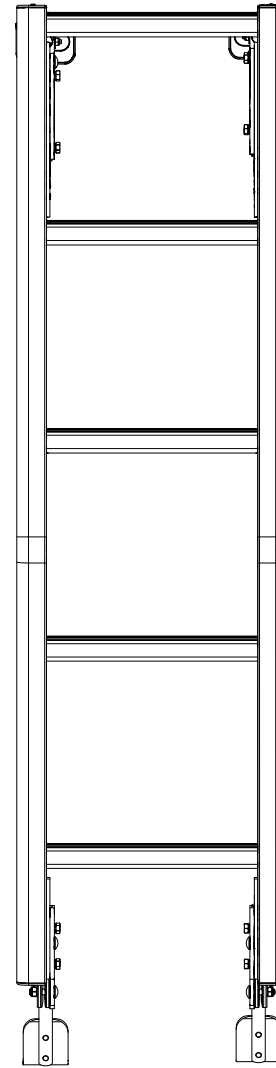
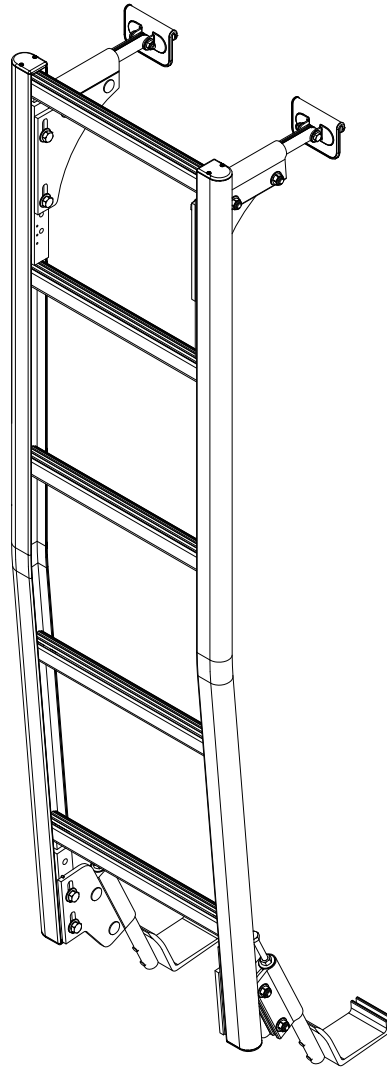
Dimensional Specifications on Page 2

Configuration as shown:

Finish: Bright Anodized

Vehicle-Specific Mounting Bracket System

Overall Weight (empty): 16 lbs

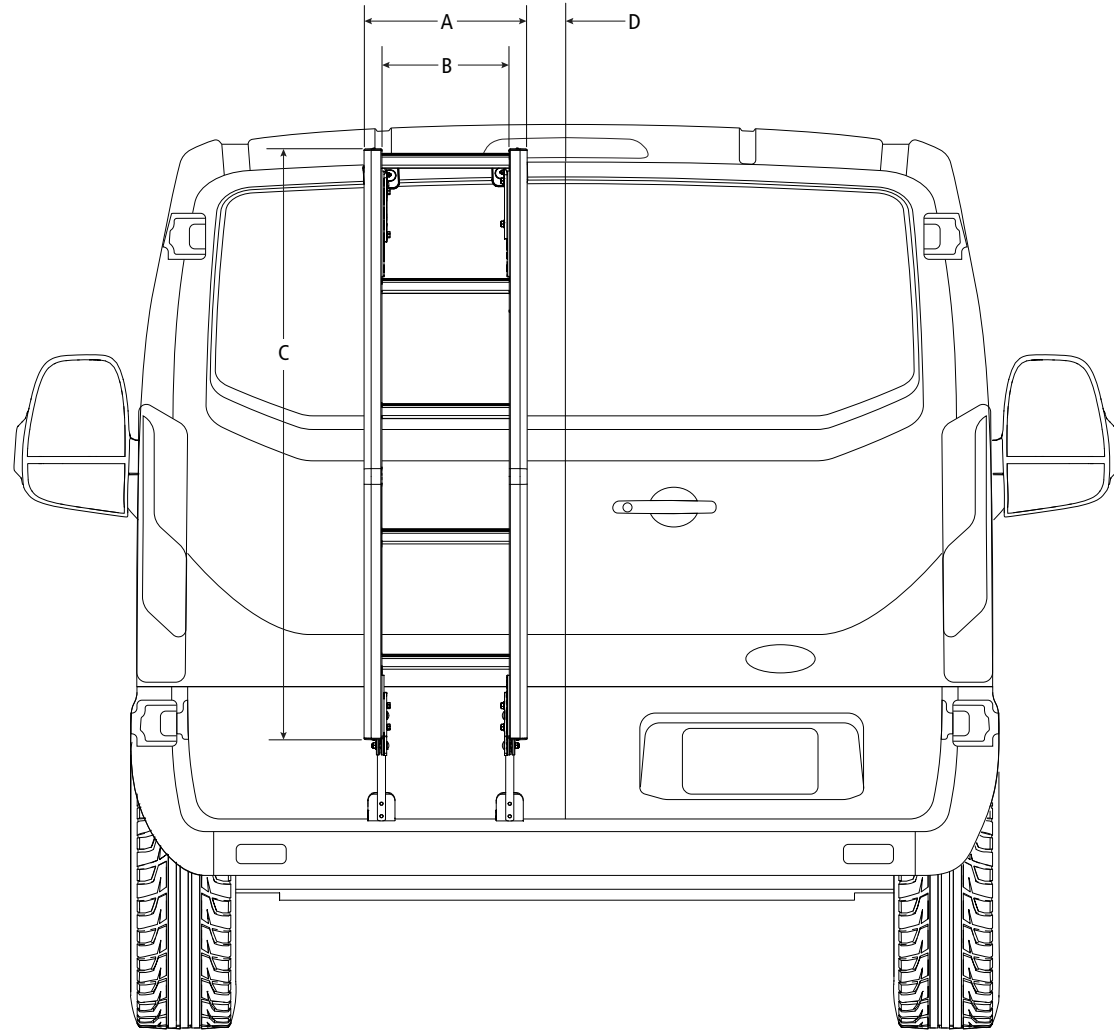


AAL-8010

2015+ Ford Transit-H1 Rear Door Access Ladder

Approximate dimensions as shown:

- A: Overall Ladder Width 15"
- B: Usable Ladder Width 11.75"
- C: Ladder Height 54"
- D: Door Seam Offset 3.125"



Assembly Manual also available:

AAL-8010

USOV-AAL8010-US01 Rev-B 0118