

## AAL-8013

### 2011+ Nissan NV-H1 Rear Door Access Ladder

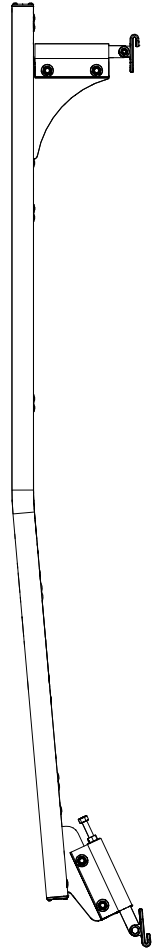
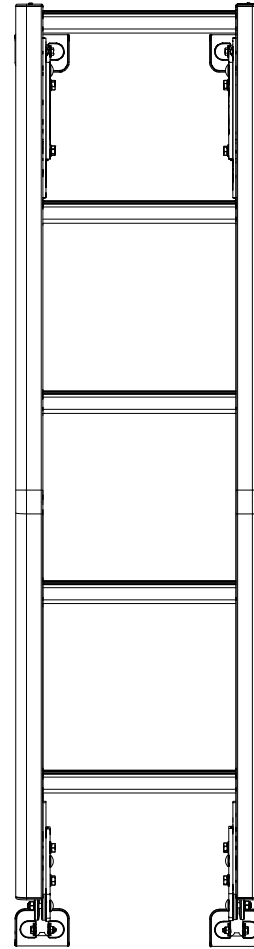
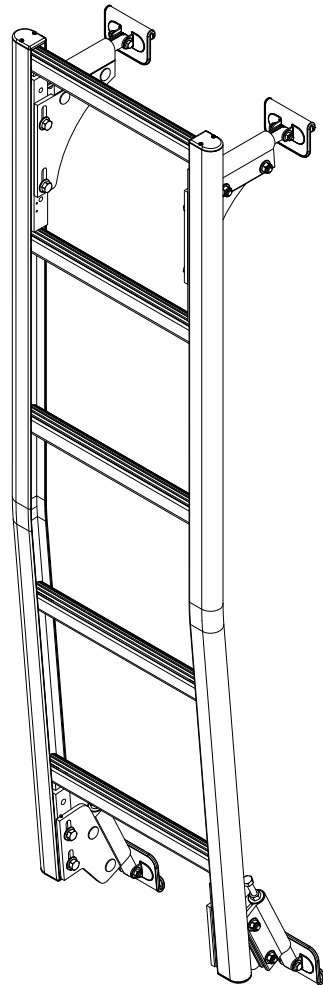
Dimensional Specifications on Page 2

*Configuration as shown:*

Finish: Bright Anodized

Vehicle-Specific Mounting Bracket System

Overall Weight (empty): 15.25 lbs

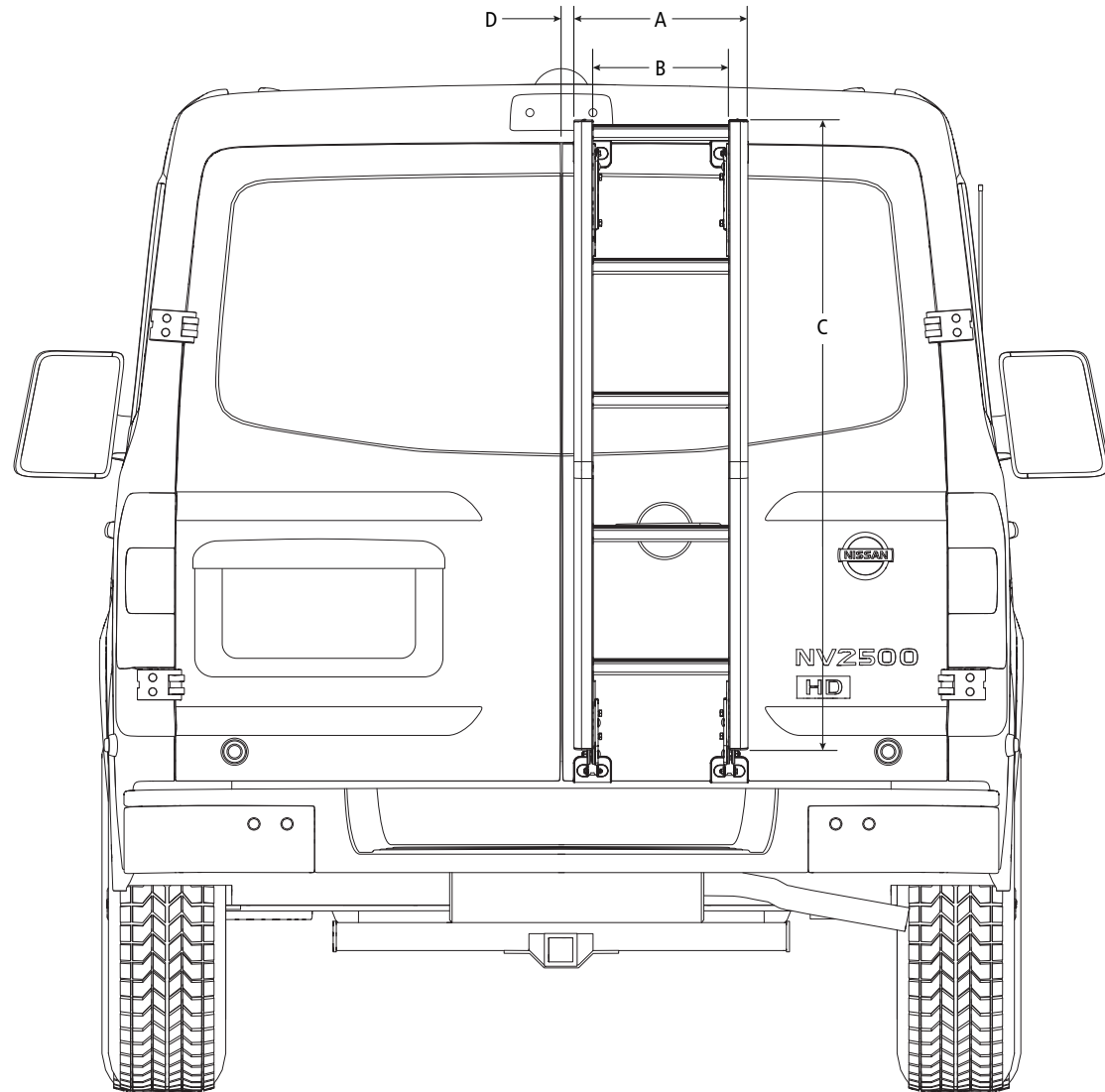


## AAL-8013

### 2011+ Nissan NV-H1 Rear Door Access Ladder

*Approximate dimensions as shown:*

- A: Overall Ladder Width ..... 15"
- B: Usable Ladder Width ..... 11.75"
- C: Ladder Height ..... 54"
- D: Door Seam Offset ..... 13/16"



*Assembly Manual also available:*

## AAL-8013

USOV-AAL8013-US01 Rev-A 0118