

## VBB-ME21

### 2016 Mercedes Metris L2H1 Medium Wheel Base, Low Roof

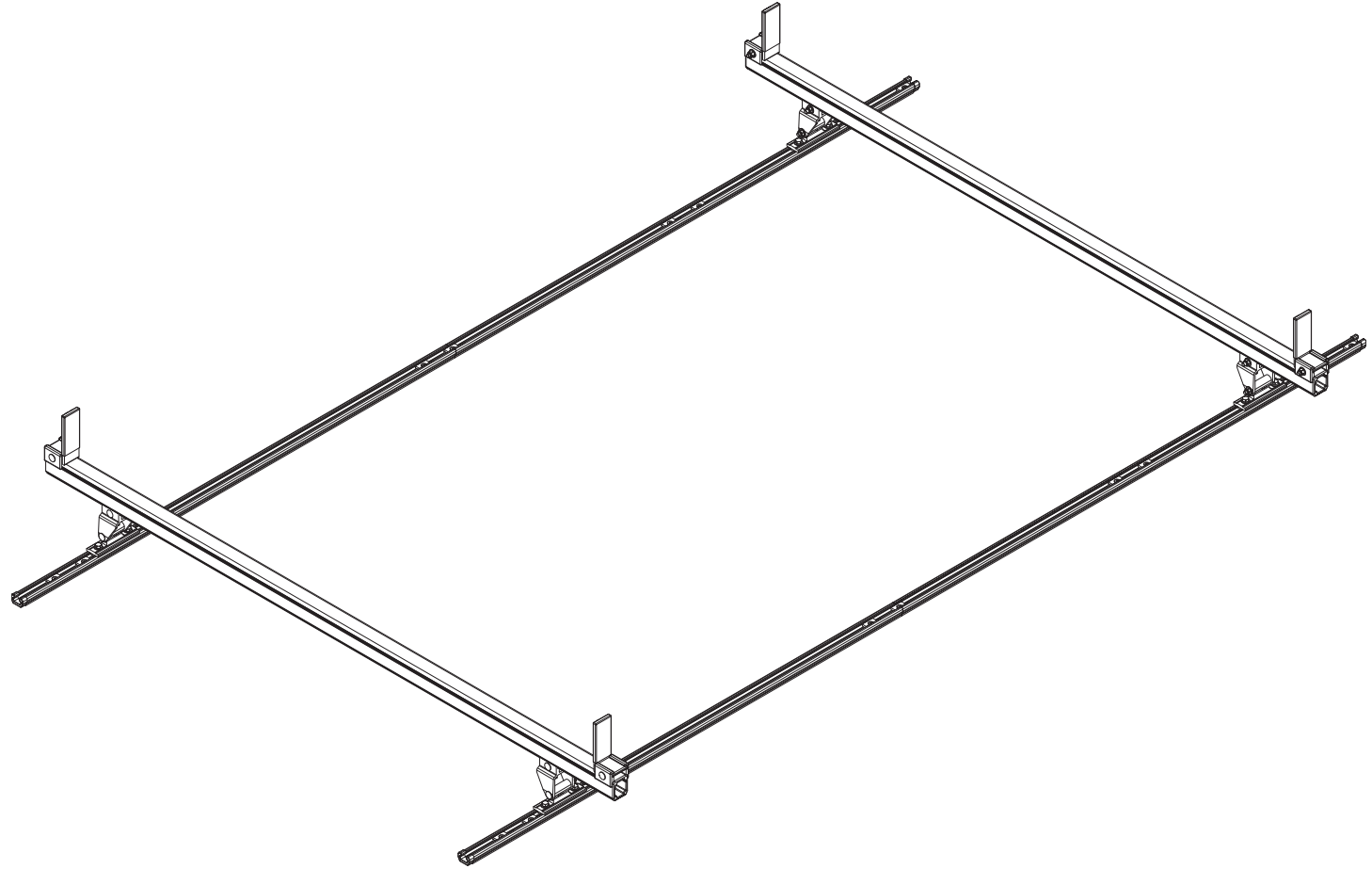
Specifications on Page 2

#### *Configuration as shown:*

Base Left/Base Right  
Two Crossbars, US Gen4  
Finish: White Powder Coat  
FBM-0084 Mercedes Metris Mounting System  
Rack Weight (empty): 25 lbs

#### *Load specifications as shown:*

Maximum Ladder Weight LH..... 75 lbs  
Maximum Ladder Length LH..... 28 ft  
Maximum Ladder Section LH ..... 14 ft  
Maximum Ladder Weight RH ..... 75 lbs  
Maximum Ladder Length RH ..... 28 ft  
Maximum Ladder Section RH..... 14 ft

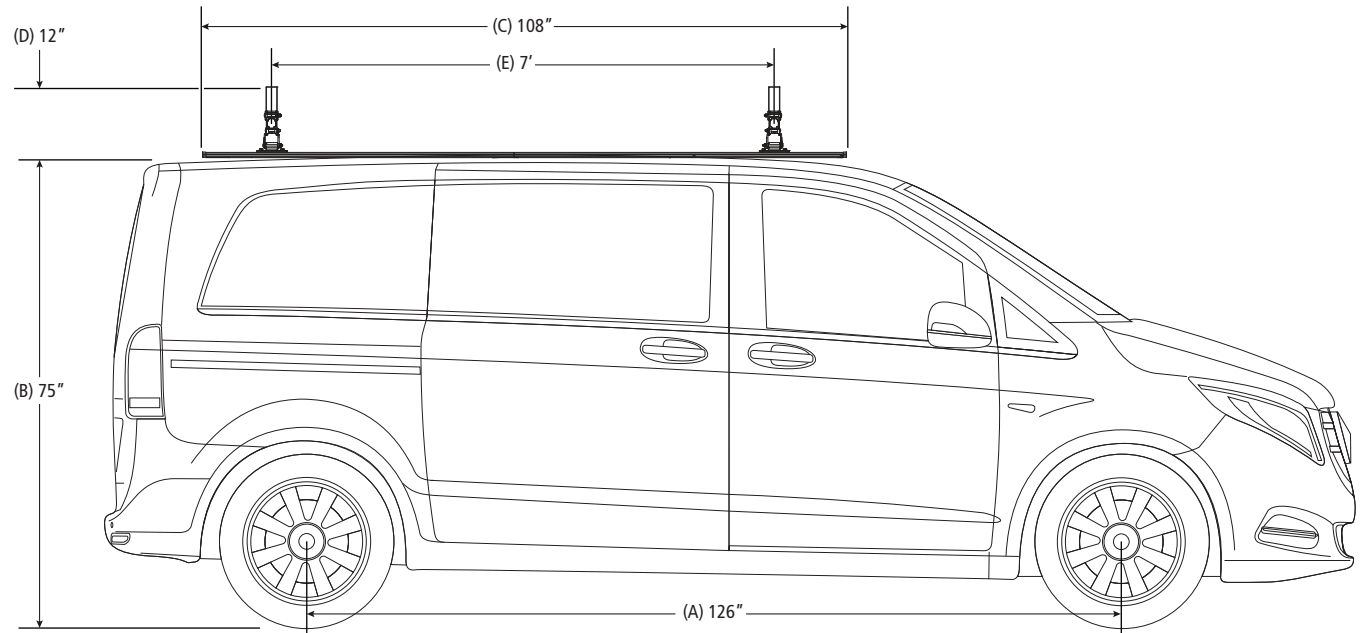
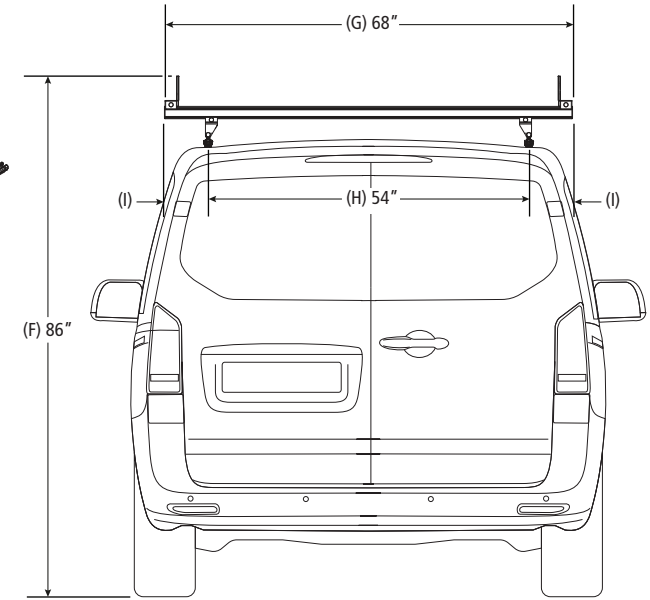
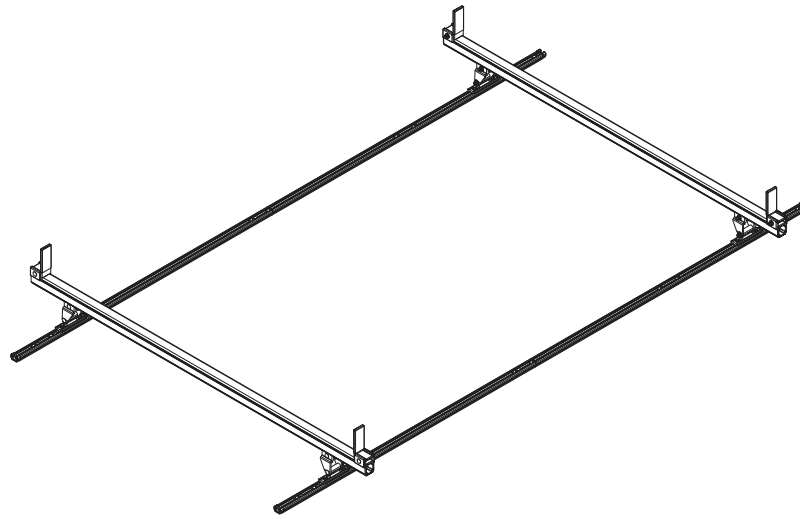


## VBB-ME21

2015 Mercedes Metris L2H1  
Medium Wheel Base, Low Roof

Approximate dimensions as shown:

- A: Wheel Base ..... 126"
- B: Roof Height ..... 75"
- C: Rack Length ..... 108"
- D: Rack Height ..... 12"
- E: Crossbar Spacing ..... 7'
- F: Overall Height ..... 86"
- G: Rack Width ..... 68"
- H: Mount Spacing L/R ..... 54"
- I: Crossbar Offset ..... Even



Assembly Manual also available:

## VBB-ME21

USOV-VBBME21-US01 Rev-A 0118