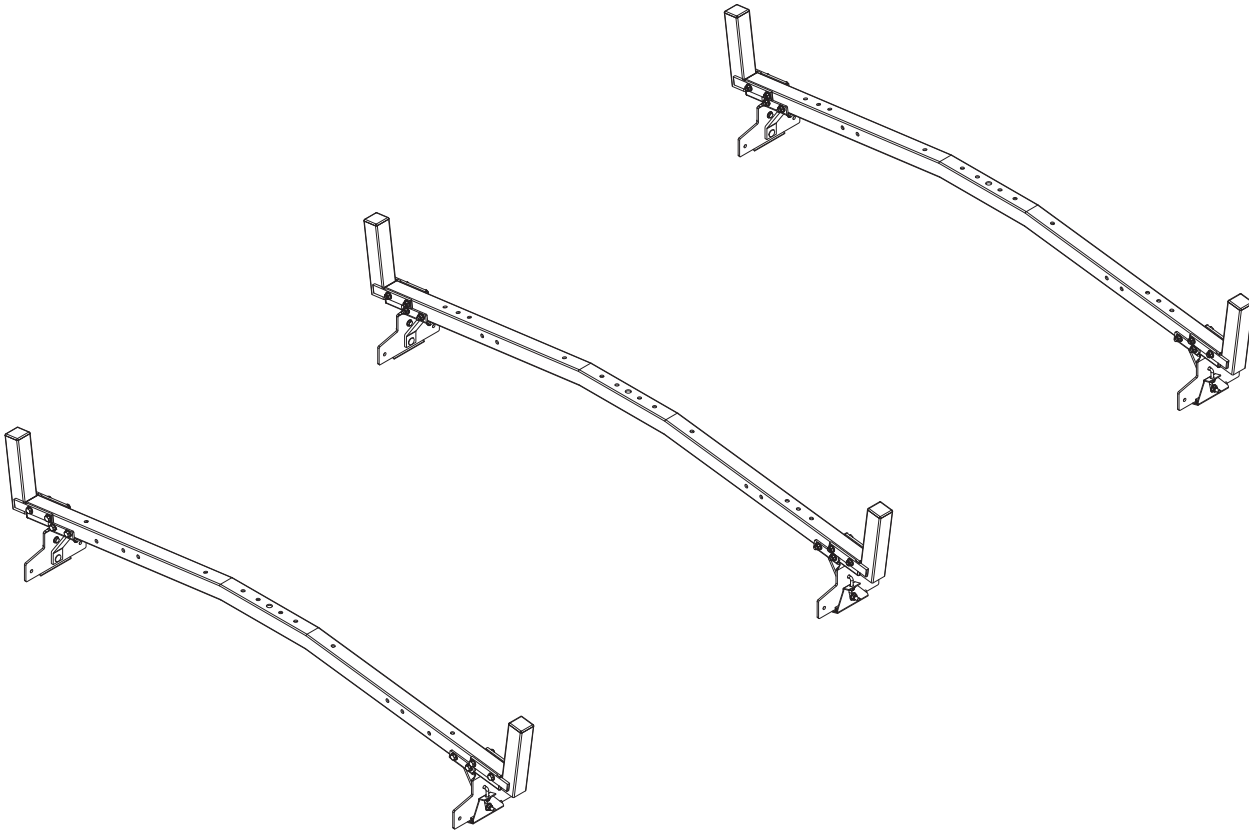


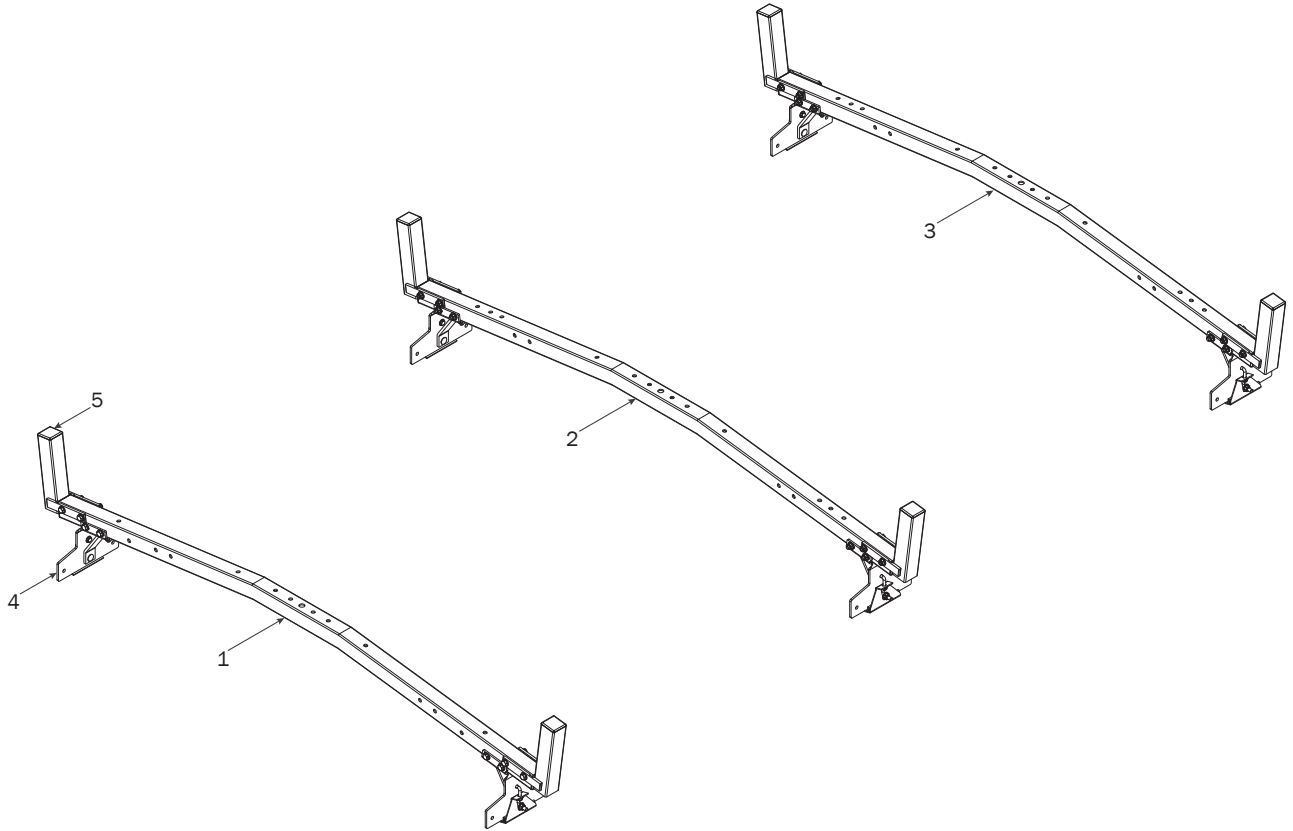
PRIME DESIGN™

A Safe Fleet Brand



VBB
326

CONTENTS OVERVIEW



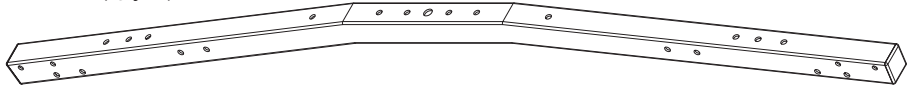
1—Rear Crossbar Assembly..... (Qty 1)



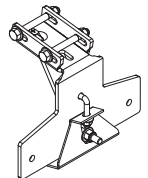
2—Mid Crossbar Assembly (Qty 1)



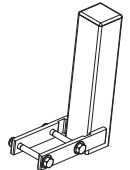
3—Front Crossbar Assembly (Qty 1)



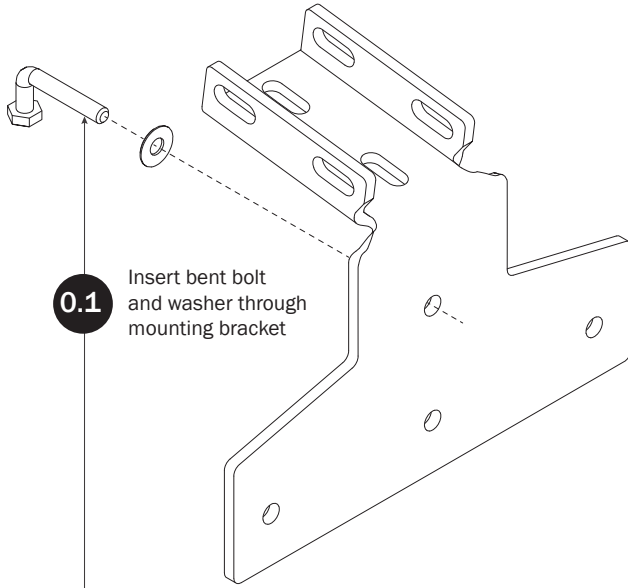
4—Mounting Bracket Assembly.....(Qty 2)
Horizontal, Low Mounting, 4.50", GM



5—Ladder Stop(Qty 4)
With fingers and hardware, 8.00"



MOUNTING BRACKETS—HORIZONTAL BRACKET PRE-ASSEMBLY

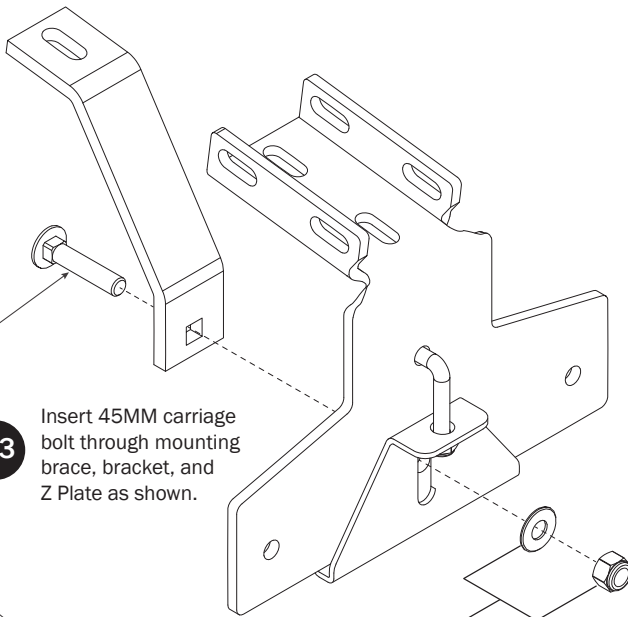
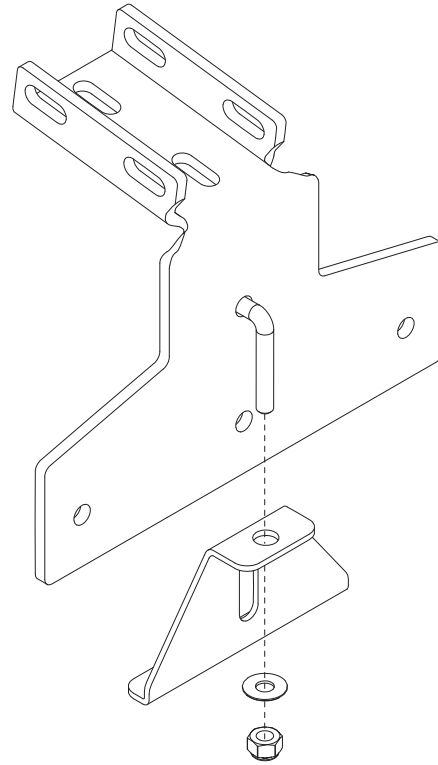


0.1 Insert bent bolt and washer through mounting bracket



Anti-Seize
Must apply Anti-Seize Compound and torque to specified value.

0.2 Assemble the Z Plate and secure with washer and nut. Do not tighten until installed on vehicle roof.



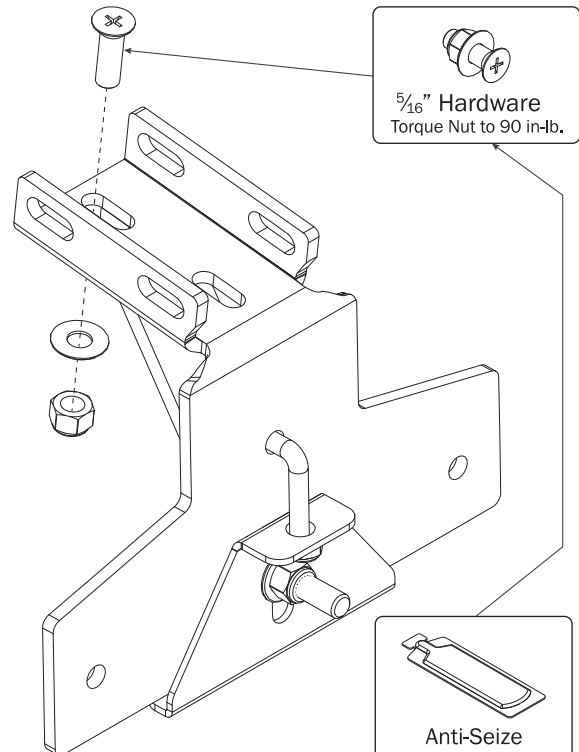
0.3 Insert 45MM carriage bolt through mounting brace, bracket, and Z Plate as shown.



Anti-Seize
Must apply Anti-Seize Compound and torque to specified value.

0.4 Secure mounting assembly with washer and nut. Do not tighten until installed on vehicle roof.

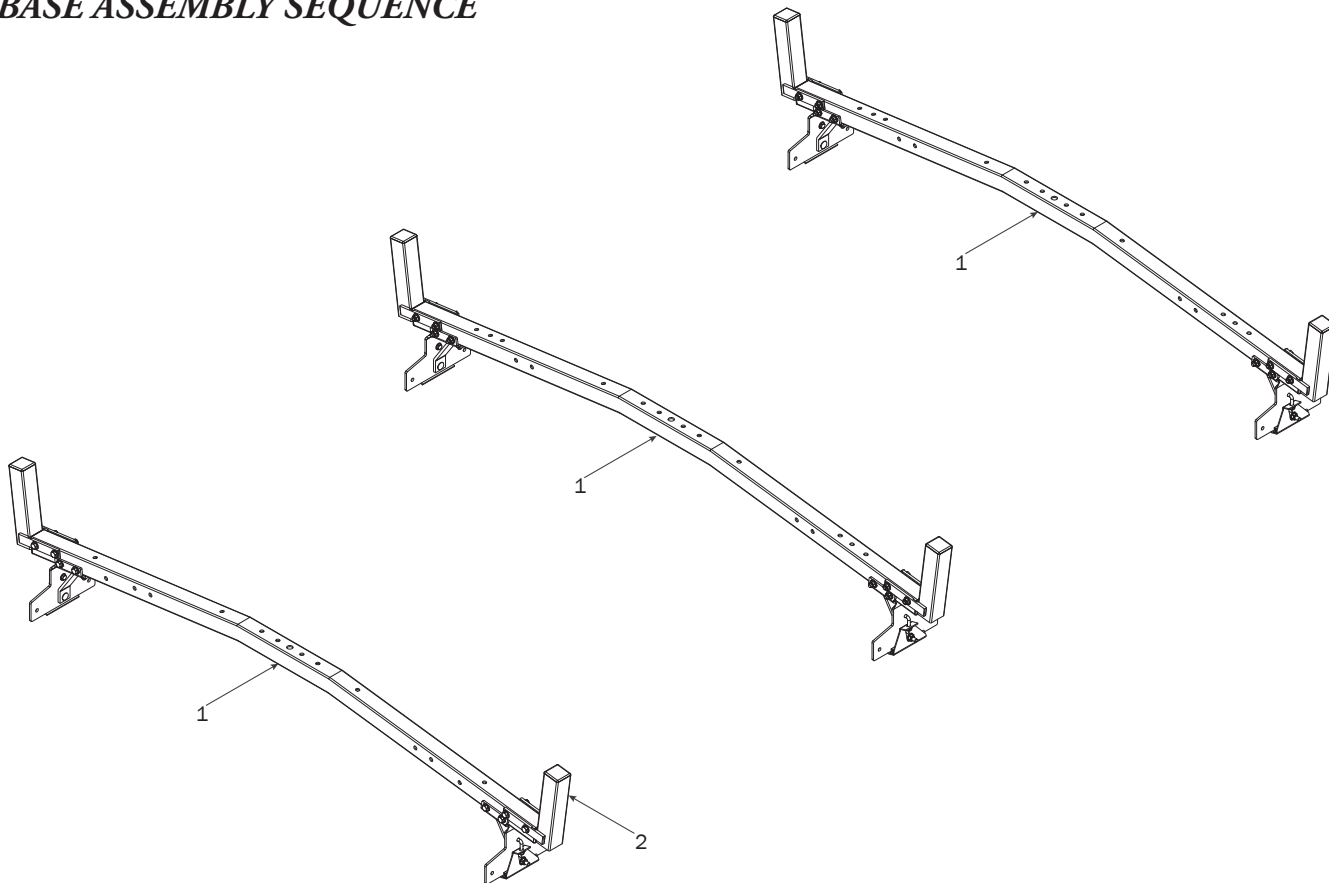
0.5 Repeat Steps 0.1–0.4 to assemble the remaining Vertical Mounting Brackets.



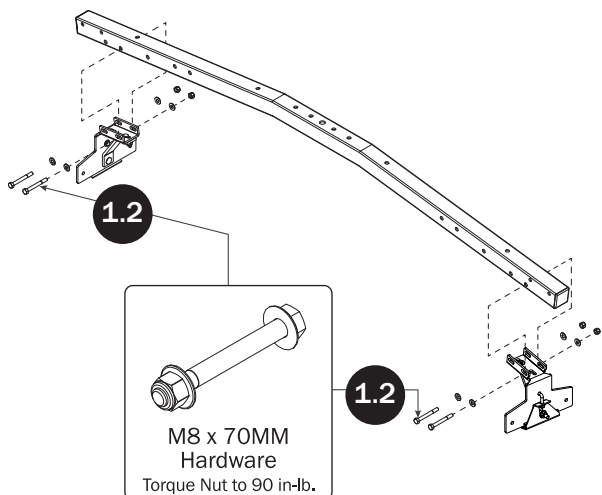
5/16" Hardware
Torque Nut to 90 in-lb.



Anti-Seize
Must apply Anti-Seize Compound and torque to specified value.

BASE ASSEMBLY SEQUENCE**CROSSBARS**

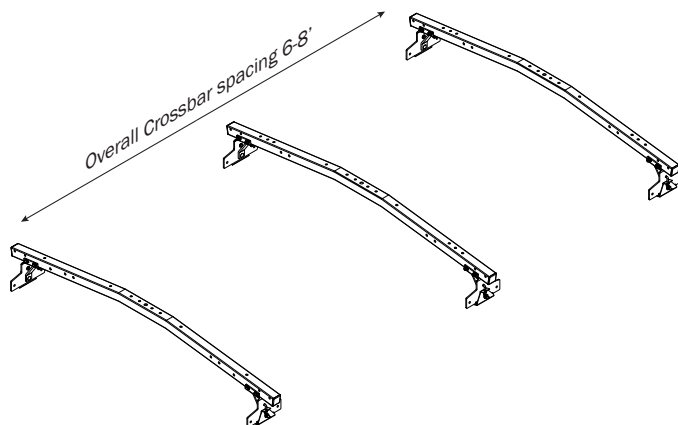
- 1.1** Apply Anti-Seize compound to Mounting Bracket bolts



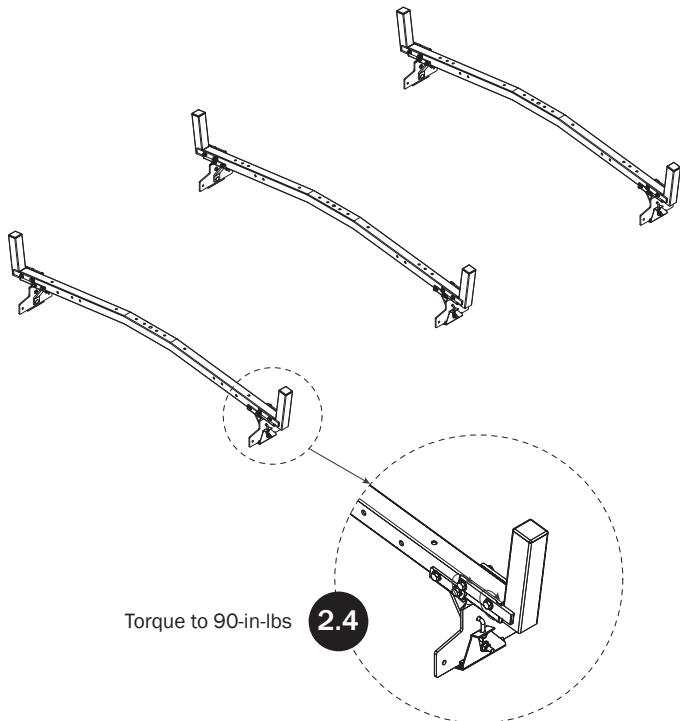
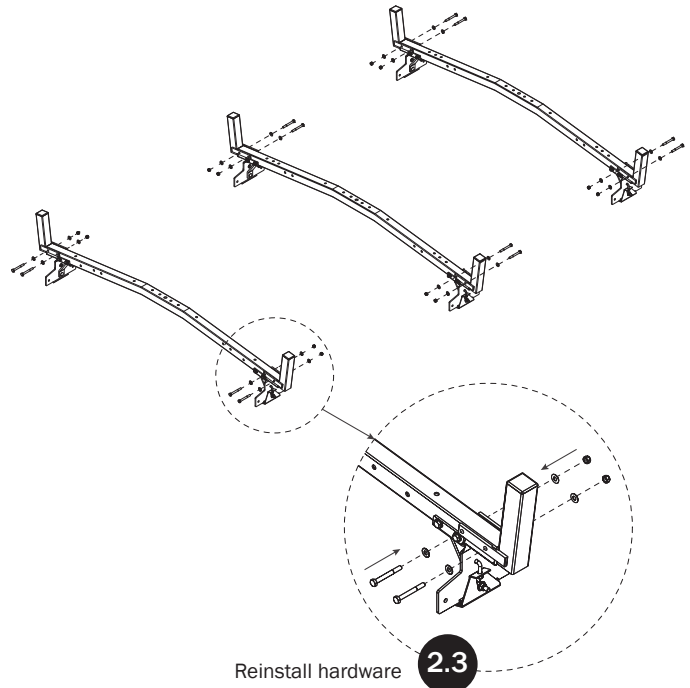
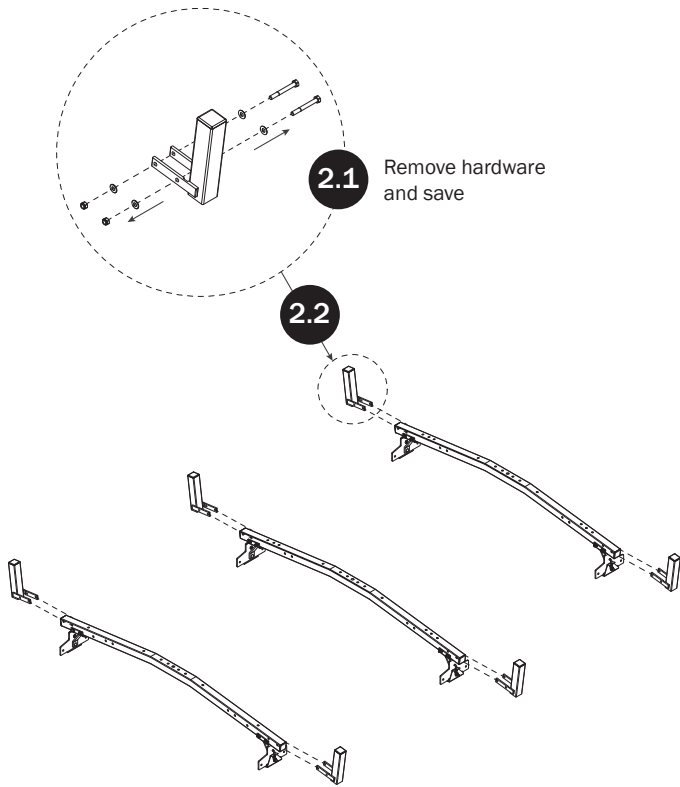
- 1.3** Repeat Step 1.2 to install the remaining Mounting Brackets onto the front Crossbar.

CROSSBAR ADJUSTMENT

- 1.4** Crossebars can be set at distances between 6-8'



LADDER STOPS

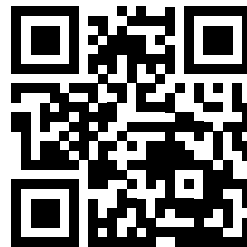


ADDITIONAL INFORMATION

For additional information regarding your VBB-326 Ladder Rack, please visit the Prime Design website at: www.primedesign.net.

Using a QR code reader in your smart phone or tablet, read the QR Code shown below and follow the same steps as you would from your laptop or computer.

If you're viewing this document as an interactive PDF, you may simply click on the QR Code below to access the Prime Design website.



Page Intentionally Left Blank

Page Intentionally Left Blank

