

PRIME DESIGN™

A Safe Fleet Brand

VRR3-FT21G-ST

2015+ Low Profile Ford Transit L2H1
Regular Wheel Base, Low Roof

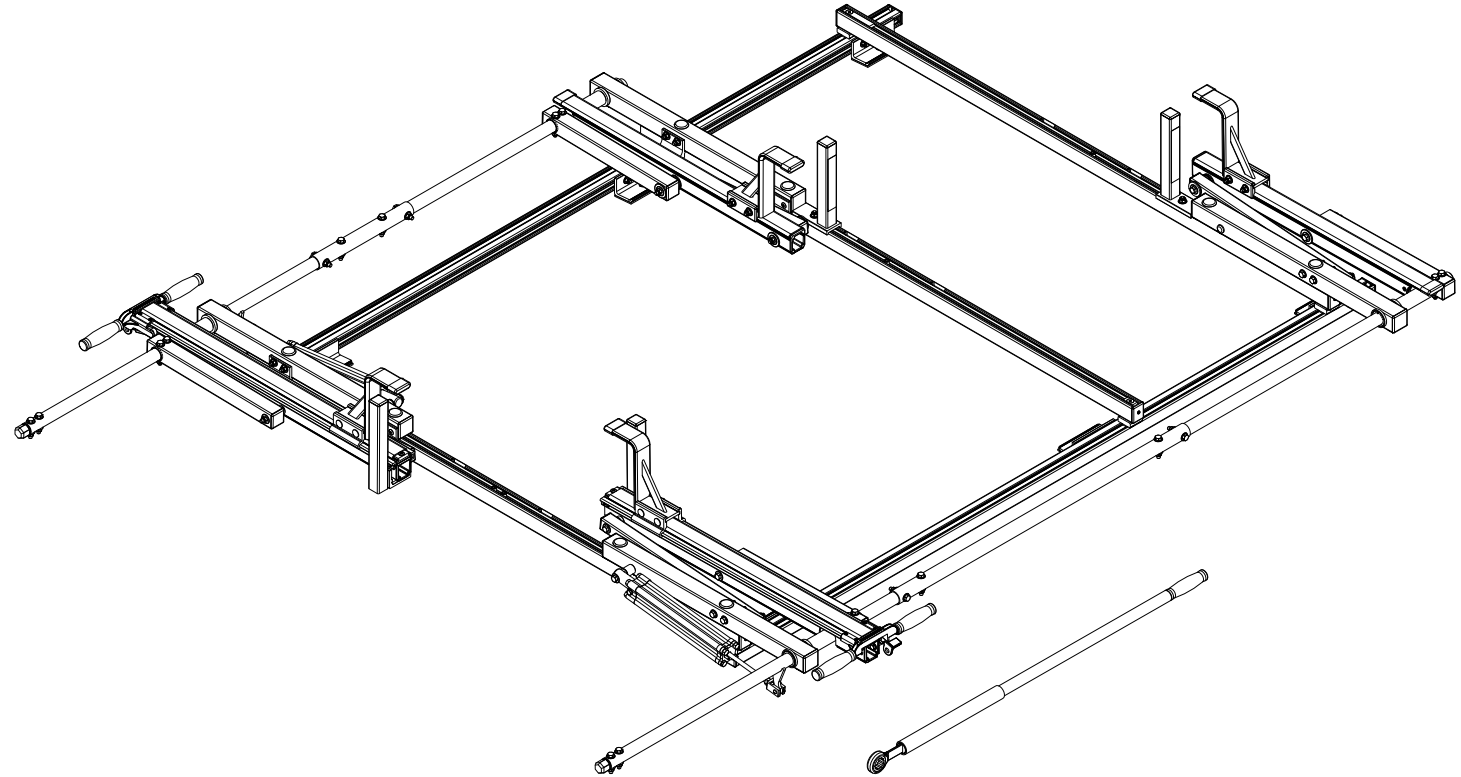
Dimensional Specifications on Page 4

Configuration as shown:

Rotation Left/Rotation Right
w/Removable Ratcheting Handle
Three Crossbars, US Gen5
Finish: White Powder Coat
FBM3-0098 Ford Transit Mounting System
Overall Weight (empty): 115 lbs

Load specifications as shown:

Maximum Ladder Weight LH..... 75 lbs
Maximum Ladder Length LH..... 16 ft
Maximum Ladder Section LH 8 ft
Maximum Ladder Weight RH 75 lbs
Maximum Ladder Length RH 24 ft
Maximum Ladder Section RH..... 12 ft

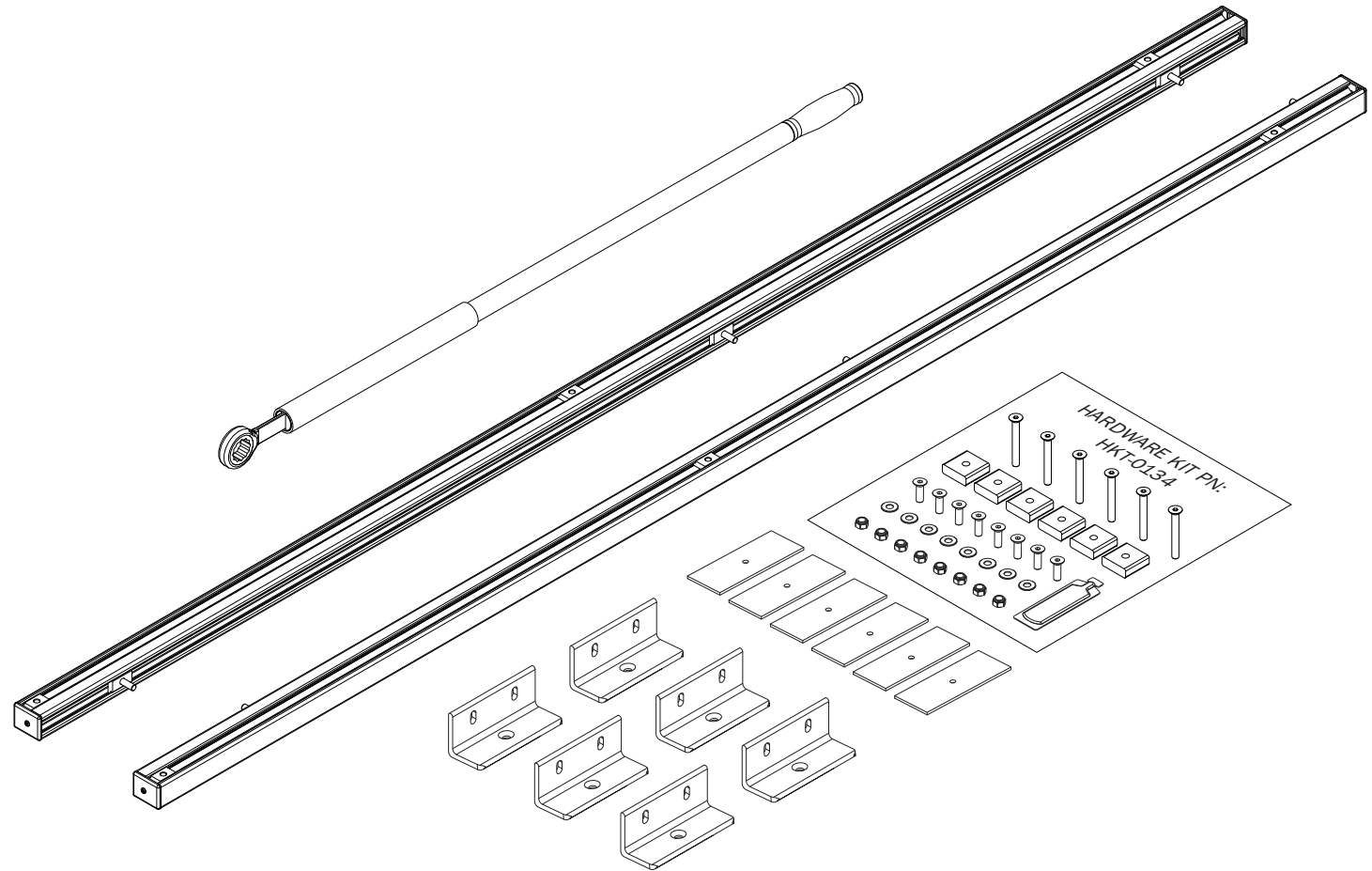


VRR3-FT21G-ST

2015+ Low Profile Ford Transit L2H1
Regular Wheel Base, Low Roof

Approximate weight as shown:

FBM3-0098 Ford Transit Mounting System
ELR-8366 Ratcheting Handle Assembly
Base Weight..... 21.25 lbs



Assembly Manual also available:

VRR3-FT21G-ST BASE

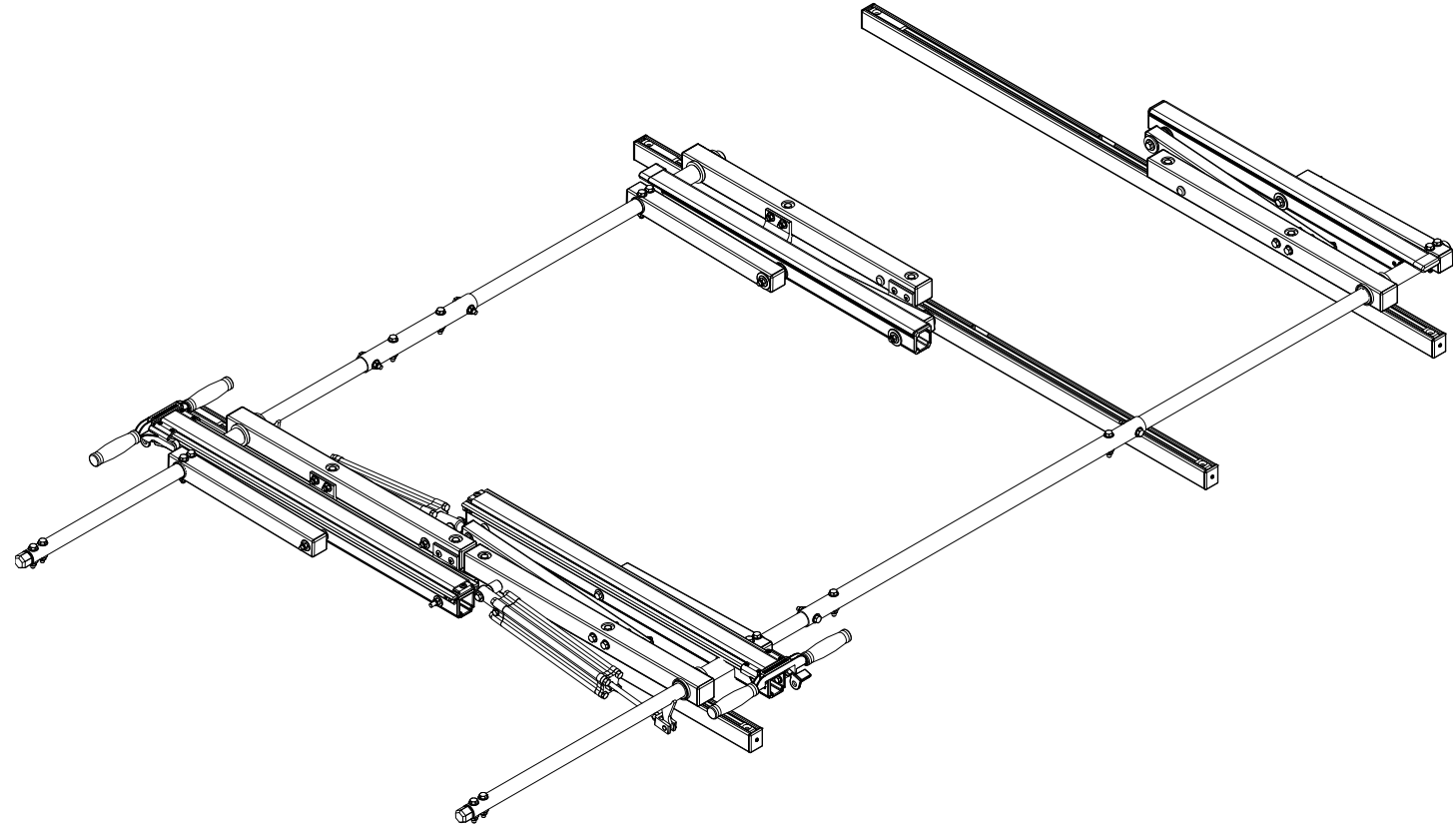
USOV-VRR3FT21GST-US01 Rev-A 0318

VRR3-FT21G-ST

2015+ Low Profile Ford Transit L2H1
Regular Wheel Base, Low Roof

Approximate weight as shown:

VRR3-9001 Factory Assembled L/R Rotation Assembly
Rack Weight..... 85 lbs



Assembly Manual also available:

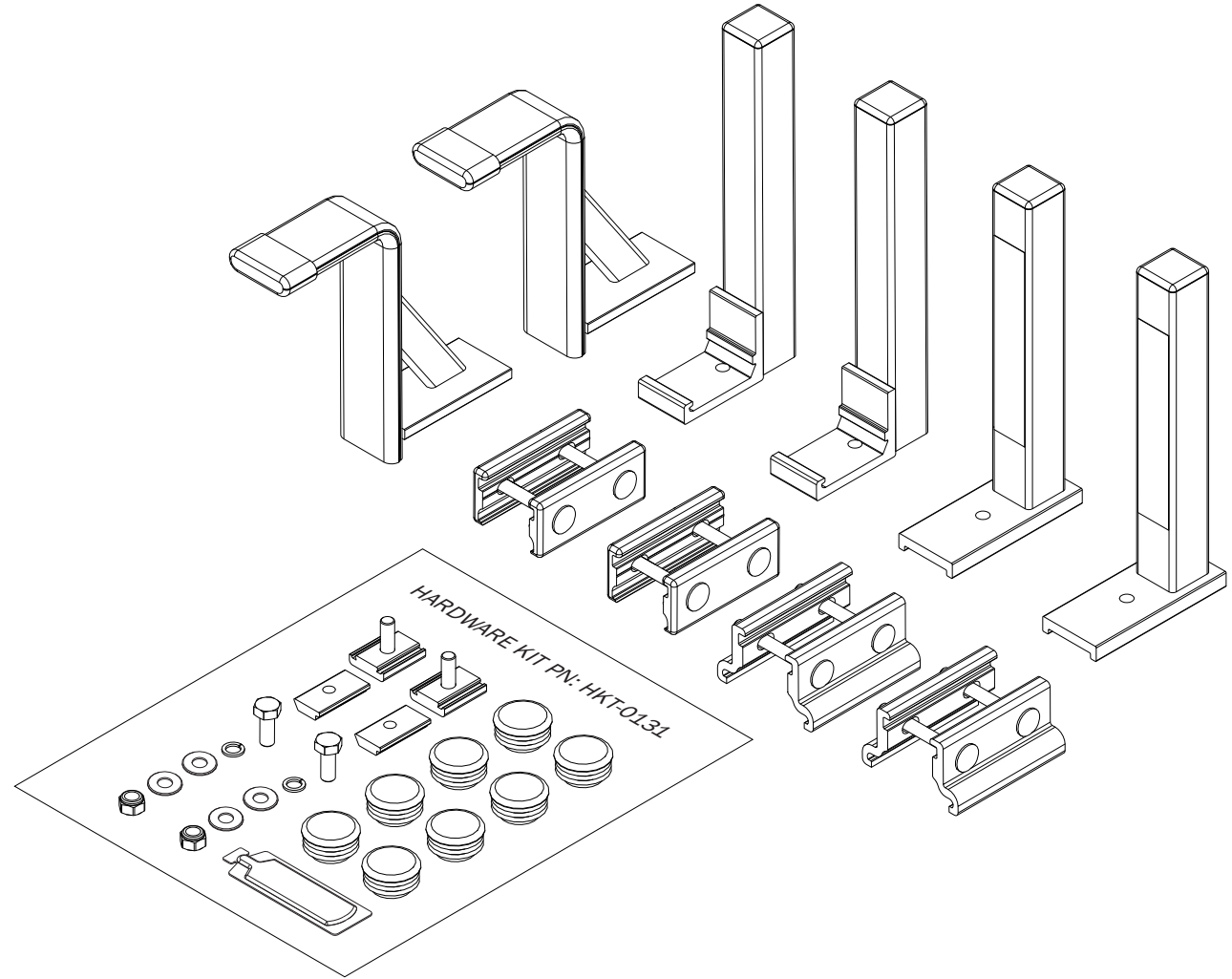
VRR3-FT21G-ST BASE

VRR3-FT21G-ST

2015+ Low Profile Ford Transit L2H1
Regular Wheel Base, Low Roof

Approximate weight as shown:

STB-0001 Low Profile Ship Thru Box
Box Weight 8.75 lbs



Assembly Manual also available:

VRR3-FT21G-ST BOX

USOV-VRR3FT21GST-US01 Rev-A 0318

PRIME DESIGN™

A Safe Fleet Brand

VRR3-FT21G-ST

2015+ Low Profile Ford Transit L2H1
Regular Wheel Base, Low Roof

Approximate dimensions as shown:

A: Rack Width	82"
B: Rear Crossbar Offset (Left).....	11.75"
C: Mount Bolt Spacing L/R.....	54"
D: Overall Height	95.50"
E: Rack Length	104.50"
F: Crossbar Spacing R/F	6'
G: Crossbar Spacing R/C	4'
H: Crossbar Spacing C/F	2'
I: Rack Height.....	13.50"
J: Roof Height	82"
K: Wheel Base	130"

