

VRR-FT31G-ST

2015+ Low Profile Ford Transit L3H1
Long Wheel Base, Low Roof

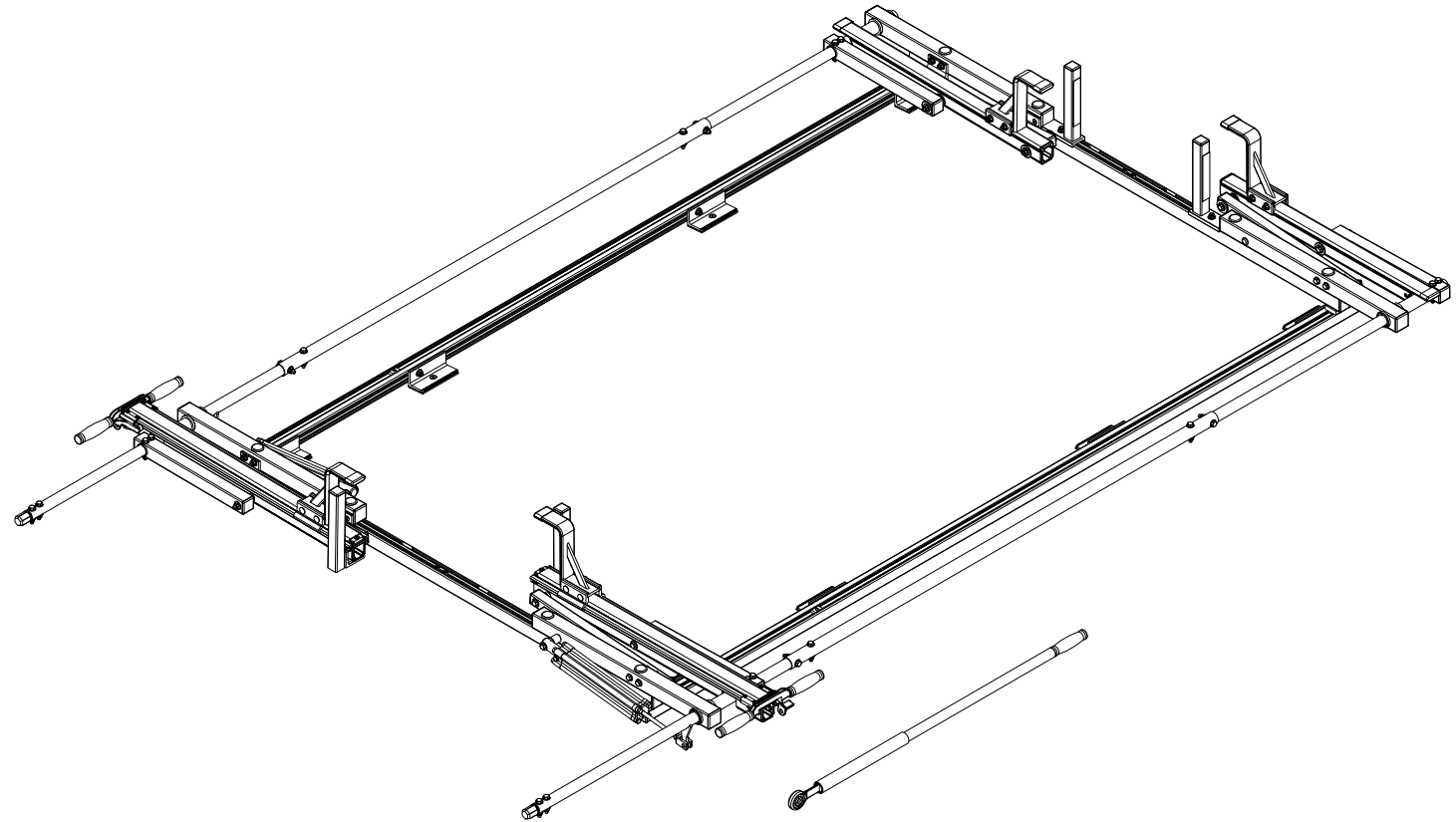
Dimensional Specifications on Page 4

Configuration as shown:

Rotation Left/Rotation Right
w/Removable Ratcheting Handle
Two Crossbars, US Gen5
Finish: White Powder Coat
FBM-0100 Ford Transit Mounting System
Overall Weight (empty): 120.75 lbs

Load specifications as shown:

Maximum Ladder Weight LH.....	75 lbs
Maximum Ladder Length LH.....	32 ft
Maximum Ladder Section LH.....	16 ft
Maximum Ladder Weight RH.....	75 lbs
Maximum Ladder Length RH.....	32 ft
Maximum Ladder Section RH.....	16 ft

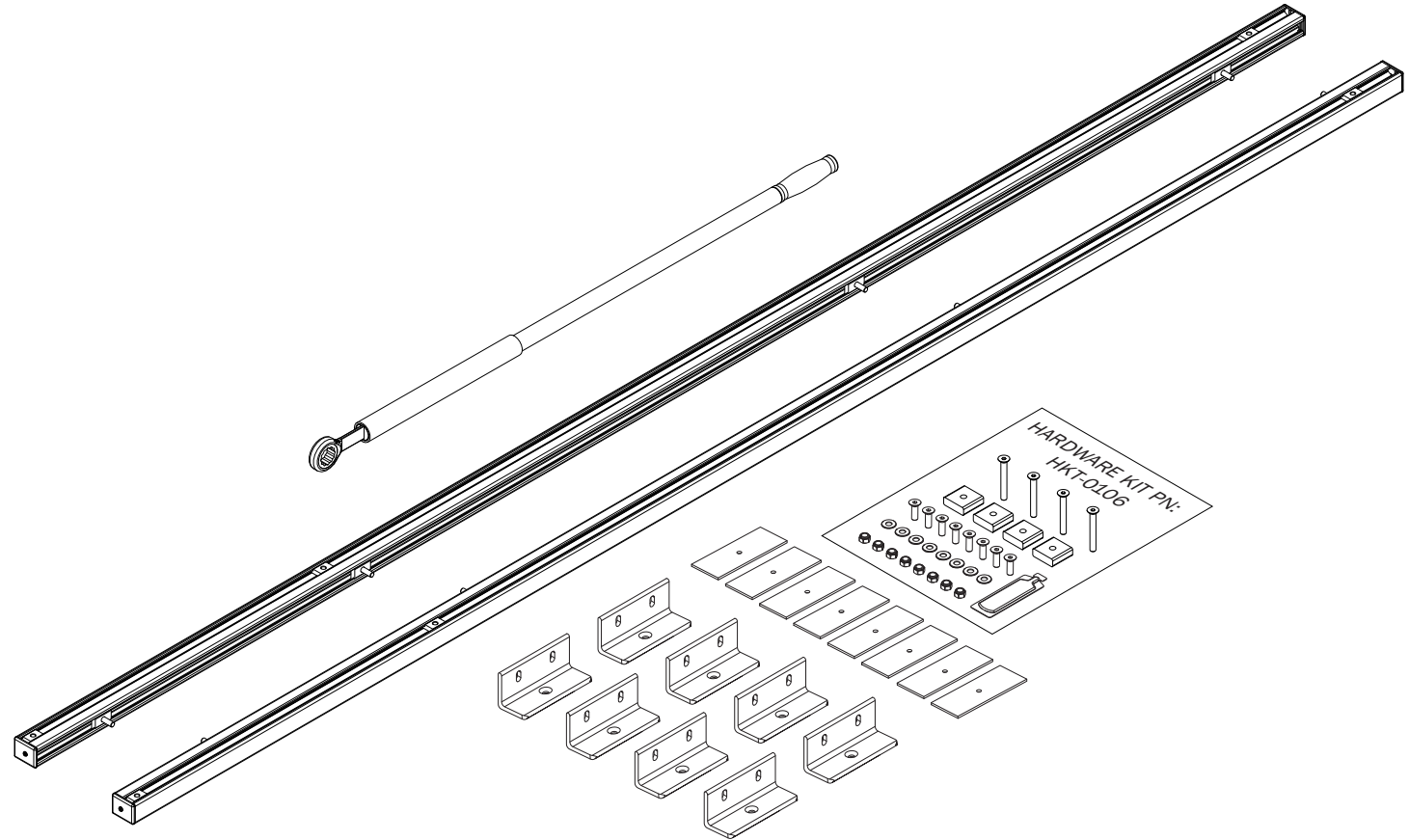


VRR-FT31G-ST

2015+ Low Profile Ford Transit L3H1
Long Wheel Base, Low Roof

Approximate weight as shown:

FBM-0100 Ford Transit Mounting System
ELR-8366 Ratcheting Handle Assembly
Base Weight..... 26 lbs



Assembly Manual also available:

VRR-FT31G-ST BASE

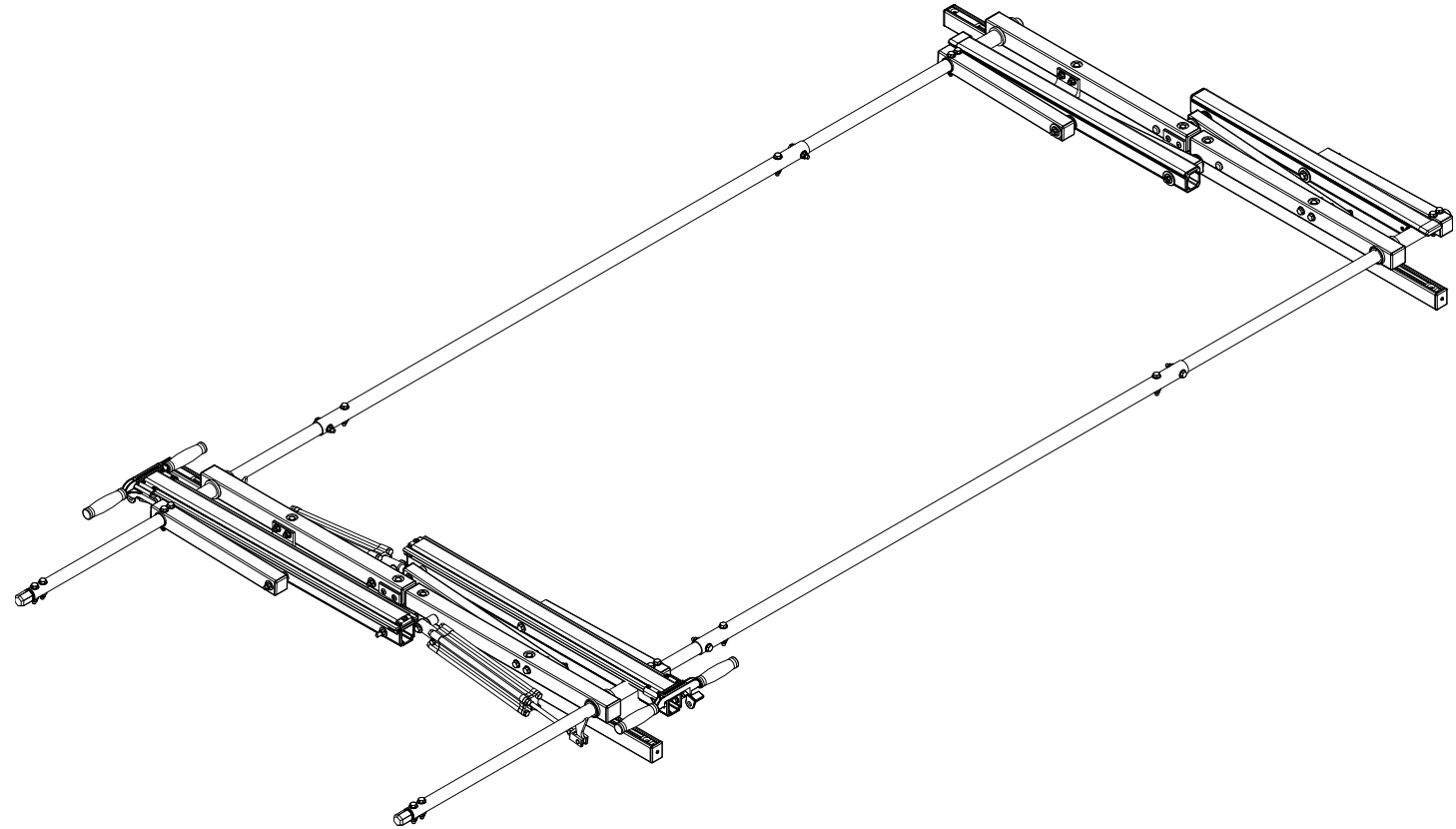
USOV-VRRFT31GST-US01 Rev-A 0118

VRR-FT31G-ST

2015+ Low Profile Ford Transit L3H1
Long Wheel Base, Low Roof

Approximate weight as shown:

VRR-9002 Factory Assembled L/R Rotation Assembly
Rack Weight..... 86 lbs



Assembly Manual also available:

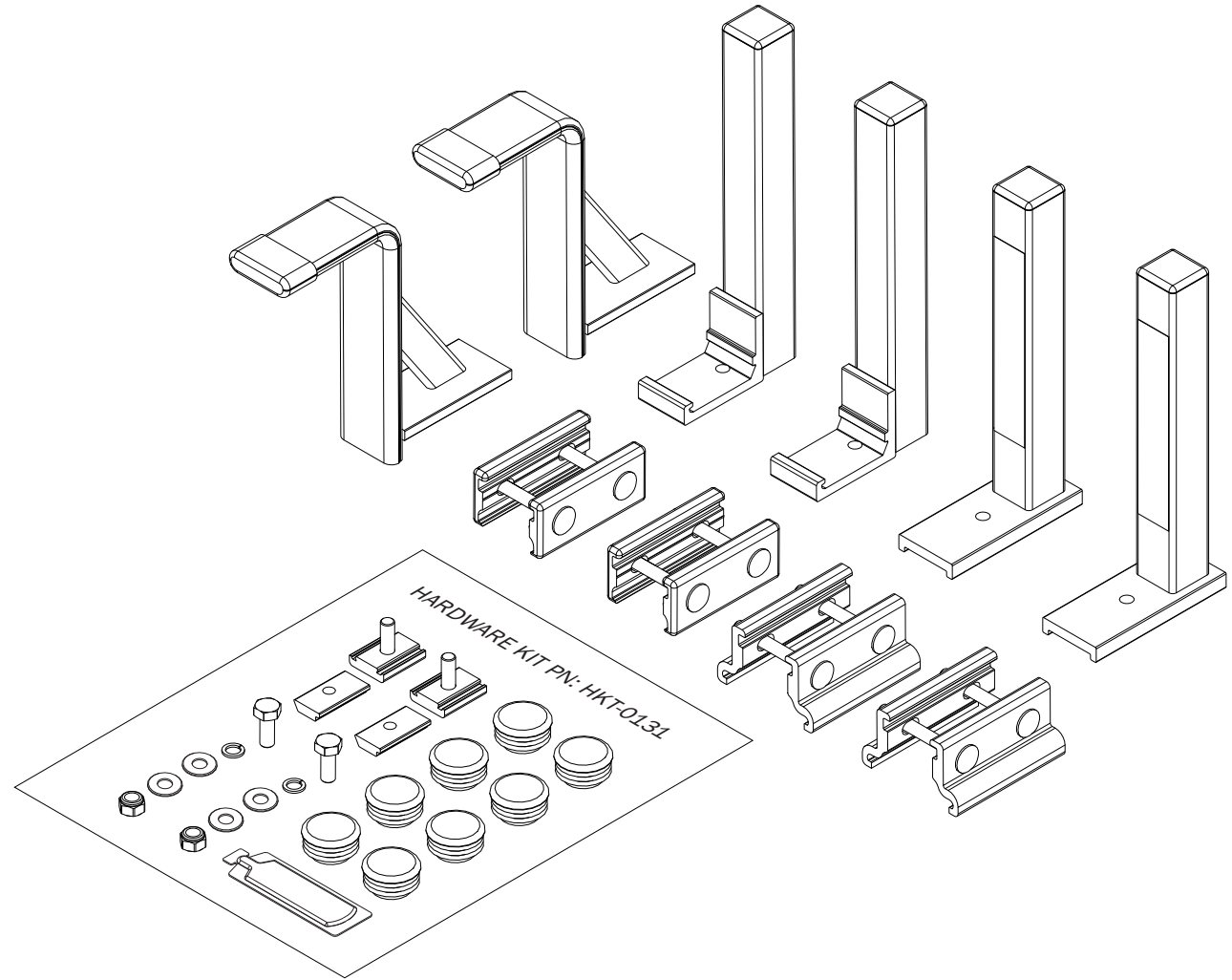
VRR-FT31G-ST BASE

VRR-FT31G-ST

2015+ Low Profile Ford Transit L3H1
Long Wheel Base, Low Roof

Approximate weight as shown:

STB-0001 Low Profile Ship Thru Box
Box Weight 8.75 lbs



Assembly Manual also available:

VRR-FT31G-ST BOX

USOV-VRRFT31GST-US01 Rev-A 0118

PRIME DESIGN™

A Safe Fleet Brand

VRR-FT31G-ST

2015+ Low Profile Ford Transit L3H1
Long Wheel Base, Low Roof

Approximate dimensions as shown:

A: Rack Width	82"
B: Rear Crossbar Offset (Left).....	11.75"
C: Mount Bolt Spacing L/R.....	54"
D: Overall Height	95.50"
E: Rack Length	128.50"
F: Rack Height.....	13.50"
G: Crossbar Spacing	8'
H: Roof Height	82"
I: Wheel Base	148"

