

PRIME DESIGN™

A Safe Fleet Brand

VRR-GM31G-ST

Chevy Express Cargo
GMC Savana Cargo

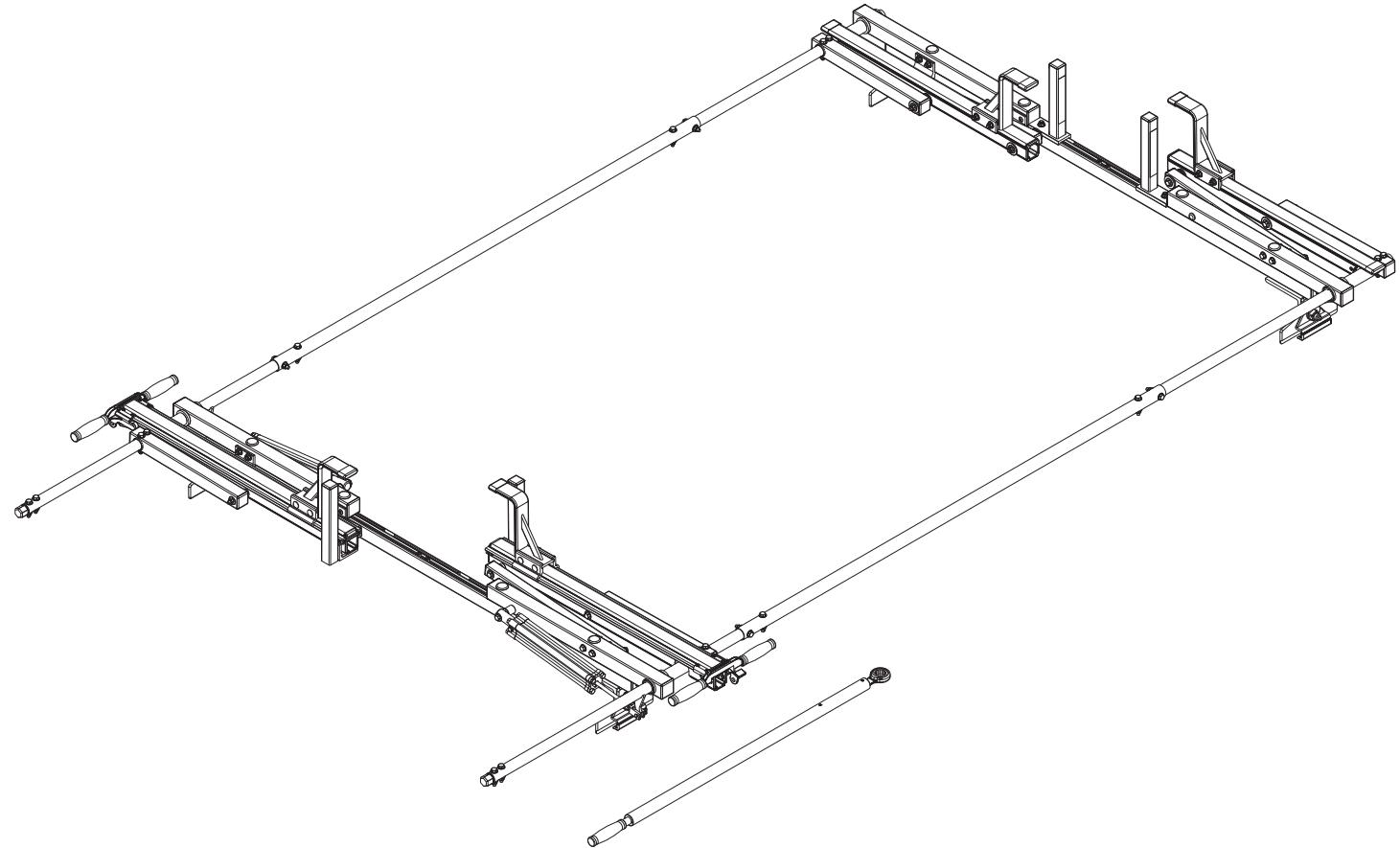
Dimensional Specifications on Page 4

Configuration as shown:

Rotation Left/Rotation Right
w/Removable Ratcheting Handle
Two Crossbars, US Gen5
Finish: White Powder Coat
FBM-0110 GM Mounting System
Overall Weight (empty): 105.75 lbs

Load specifications as shown:

Maximum Ladder Weight LH..... 75 lbs
Maximum Ladder Length LH..... 16 ft
Maximum Ladder Section LH..... 8 ft
Maximum Ladder Weight RH..... 75 lbs
Maximum Ladder Length RH..... 32 ft
Maximum Ladder Section RH..... 16 ft

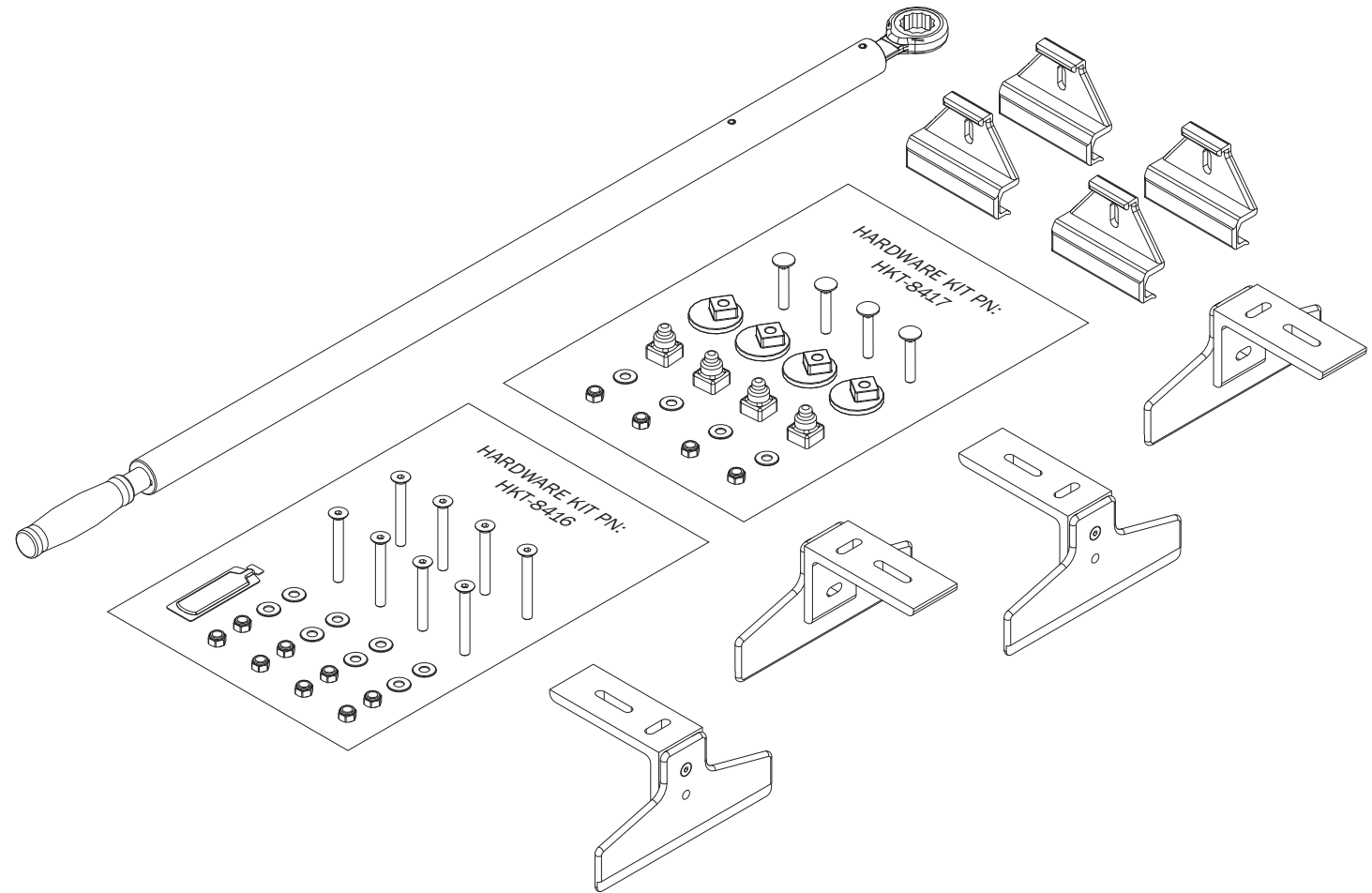


VRR-GM31G-ST

Chevy Express Cargo
GMC Savana Cargo

Approximate weight as shown:

FBM-0110 GM Mounting System
ELR-8367 Ratcheting Handle Assembly
Base Weight..... 11 lbs



Assembly Manual also available:

VRR-GM31G-ST BASE

USOV-VRRGM31GST-US01 Rev-A 0218

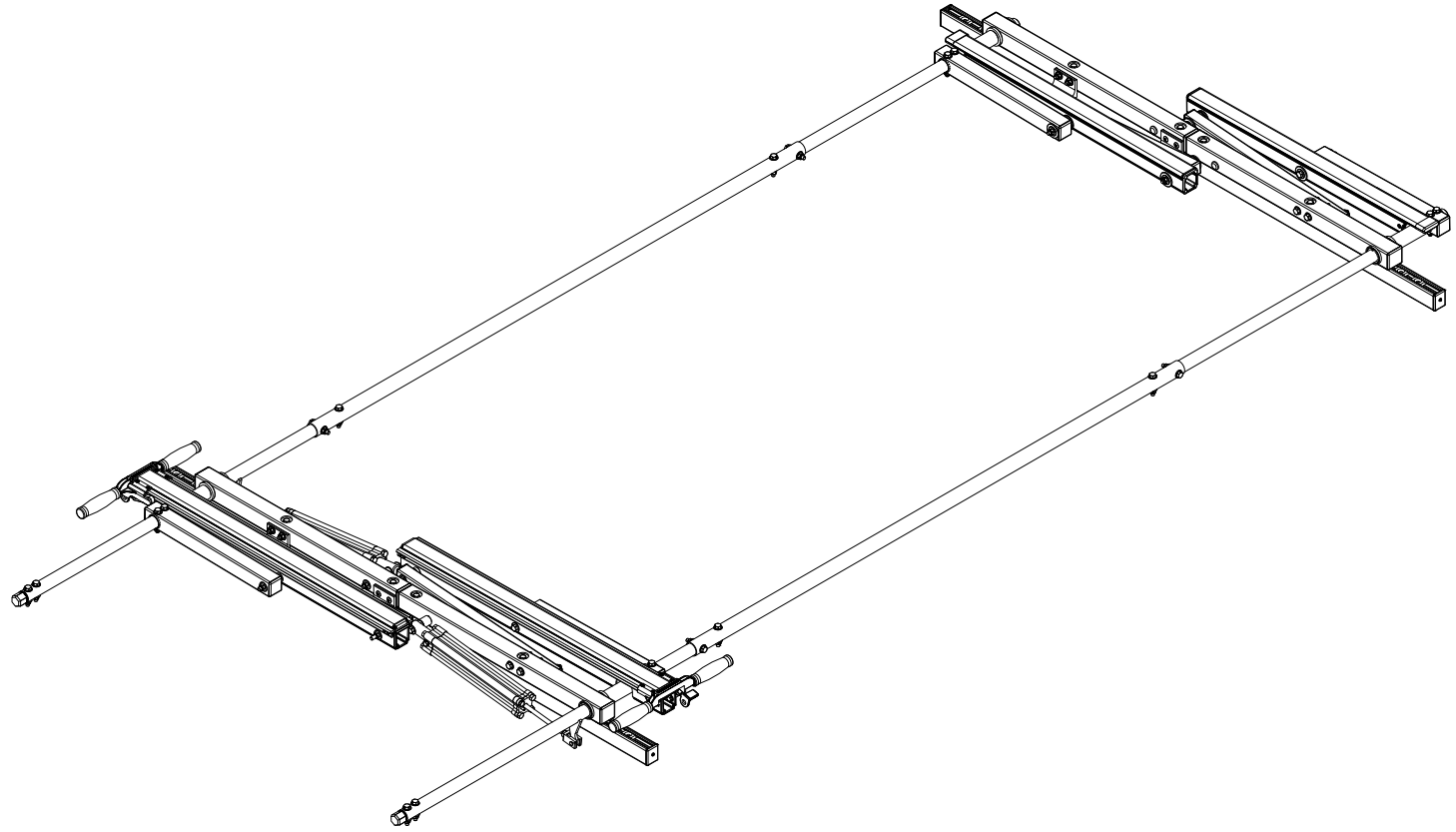
VRR-GM31G-ST

Chevy Express Cargo
GMC Savana Cargo

Approximate weight as shown:

VRR-9003 Factory Assembled L/R Rotation Assembly
Rack Weight..... 86.80 lbs

Palletized Rotation Assembly



Assembly Manual also available:

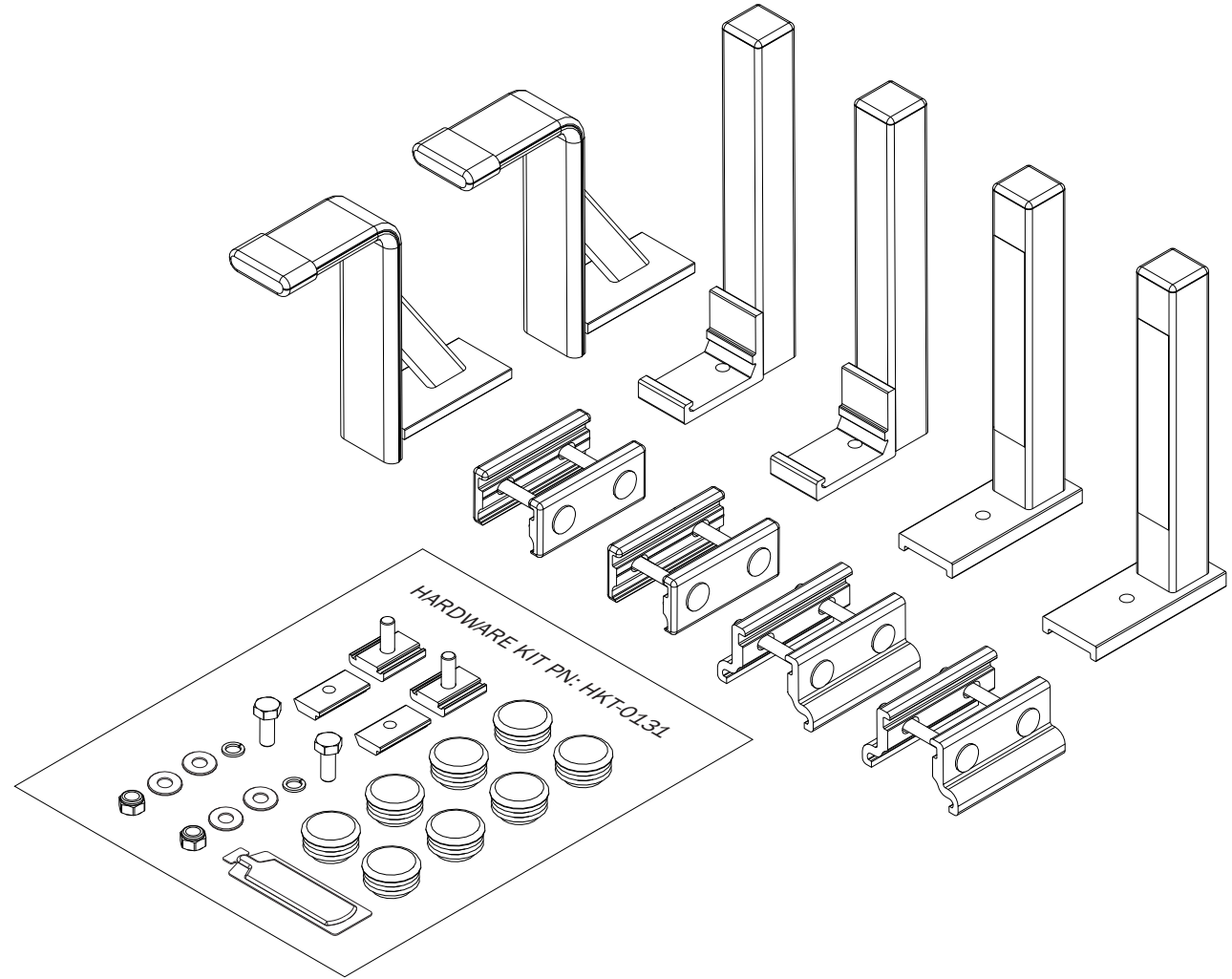
VRR-GM31G-ST BASE

VRR-GM31G-ST

Chevy Express Cargo
GMC Savana Cargo

Approximate weight as shown:

STB-0001 Low Profile Ship Thru Box
Box Weight 8.75 lbs



Assembly Manual also available:

VRR-GM31G-ST BOX

USOV-VRRGM31GST-US01 Rev-A 0218

PRIME DESIGN™

A Safe Fleet Brand

VRR-GM31G-ST

Chevy Express Cargo
GMC Savana Cargo

Approximate dimensions as shown:

A: Rack Width	76.75"
B: Rear Crossbar Offset (Left).....	9.375"
C: Mount Bolt Spacing Rear.....	57.25"
D: Mount Bolt Spacing Front.....	58.75"
E: Overall Height	100"
F: Rack Length	128"
G: Crossbar Spacing	8'
H: Rack Height	15.50"
I: Roof Height.....	84.50"
J: Wheel Base	135"

