

## VBC-ME-M

### ErgoRack, Mercedes Metris

Two Crossbars, Powder Coat Finish  
Rack Weight (empty): 44 lbs

\*Callouts in this Configuration Overview indicate full module assemblies only.

For details on individual parts, please refer to the linked Module Overviews below.

- A: ..... [FEA-0001 End Stop Assembly](#)
- B: ..... [FBM-1015-BLK Mounting System](#)
- C: ..... [CBR-0003 Crossbar Assembly](#)
- D: ..... [FEA-0008 Clamp Down Assembly](#)

[Modular Assembly Manuals](#)

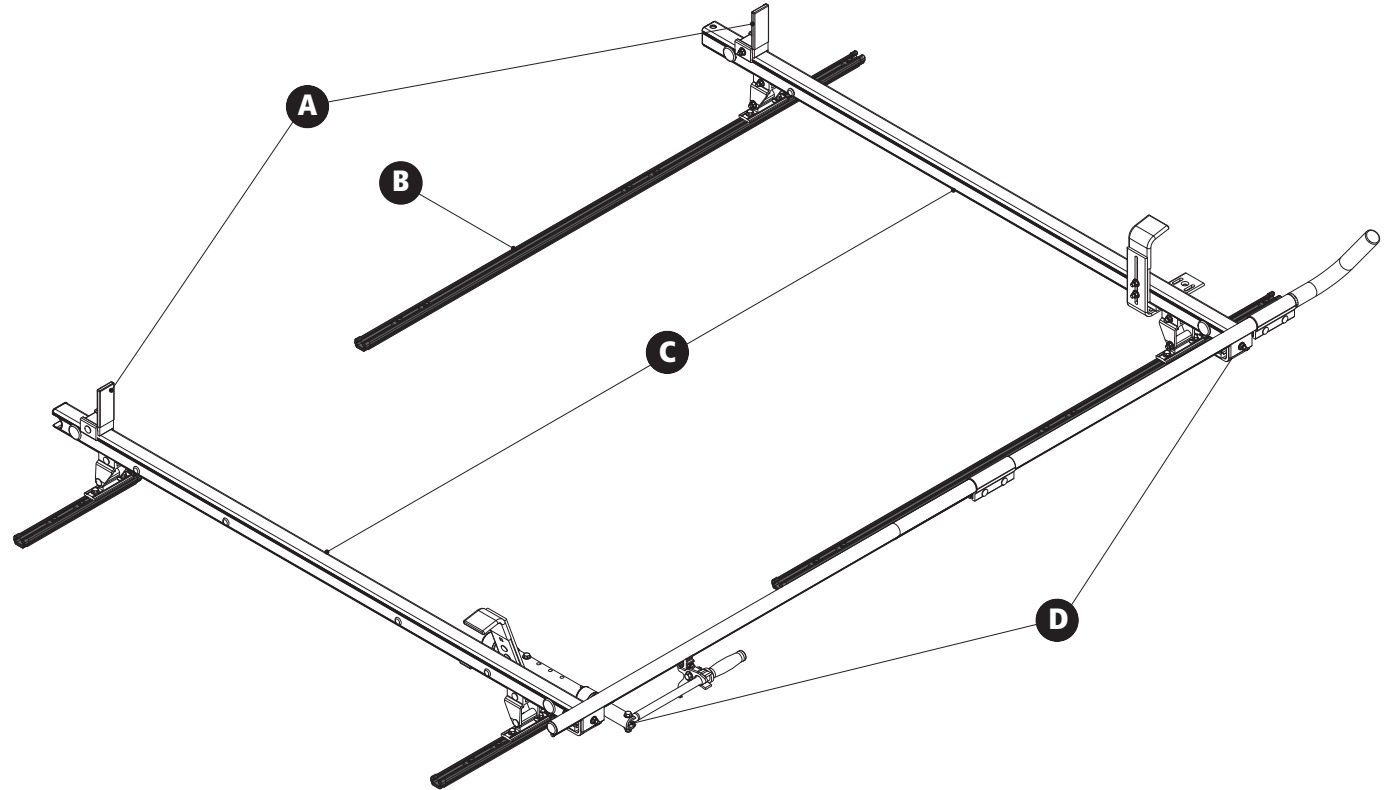
### ErgoRack Van—Load specifications:

Check vehicle manufacturer recommendations for roof capacity weight limits.

| CROSSBAR SPACING | STEP LADDER              | EXT. LADDER |
|------------------|--------------------------|-------------|
| 4 ft Spacing     | 6 – 8 ft.                | 16 – 20 ft. |
| 5 ft Spacing     | 8 – 10 ft.               | 16 – 24 ft. |
| 6 ft Spacing     | 8 – 12 ft. <sup>†</sup>  | 16 – 28 ft. |
| 7 ft Spacing     | 10 – 12 ft. <sup>†</sup> | 20 – 32 ft. |
| 8 ft Spacing     | 10 – 12 ft. <sup>†</sup> | 20 – 36 ft. |

<sup>†</sup>Rotation Configurations: 12 ft. step ladders require an extended upper add-on component.

\*Example shown with 126" Wheelbase Configuration



## VBC-ME-M

### ErgoRack, Mercedes Metris

Approximate dimensions as shown:

#### All Wheelbases

|                                     |                |
|-------------------------------------|----------------|
| A: Rack Width .....                 | 70"            |
| B: Rack Height .....                | 14"            |
| C: Rear Crossbar Offset (L&R) ..... | Even           |
| D: Mount Spacing L/R.....           | Set at install |

#### 126" Wheelbase

|  |           |
|--|-----------|
| E: Crossbar Spacing (rear to center) ..... | 6'–8'     |
| F: Rack Length .....                       | 108"–110" |

#### 135" Wheelbase

|                                 |           |
|---------------------------------|-----------|
| G: Total Crossbar Spacing ..... | 6'–8'     |
| H: Rack Length.....             | 113"–115" |

#### Compatible Accessories Available

(Sold Separately)

|                                     |                            |
|-------------------------------------|----------------------------|
| Retractable Ratchet Tie-Down.....   | <a href="#">ACC-8000</a>   |
| Rear Access Ladder.....             | <a href="#">AAL Series</a> |
| 8'–12' Conduit Carriers.....        | <a href="#">CON Series</a> |
| WorkPro LED Lighting.....           | <a href="#">LED Series</a> |
| Systems and Safety Components ..... | <a href="#">RVS Series</a> |
| Safety monitoring.....              | <a href="#">DS2 Series</a> |

