

## VCB-ME-M

### ErgoRack, Mercedes Metris

Two Crossbars, Powder Coat Finish  
Rack Weight (empty): 44 lbs

\*Callouts in this Configuration Overview indicate full module assemblies only.

For details on individual parts, please refer to the linked Module Overviews below.

- A: ..... [FEA-0001 End Stop Assembly](#)
- B: ..... [FBM-1015-BLK Mounting System](#)
- C: ..... [CBR-0003 Crossbar Assembly](#)
- D: ..... [FEA-0008 Clamp Down Assembly](#)

[Modular Assembly Manuals](#)

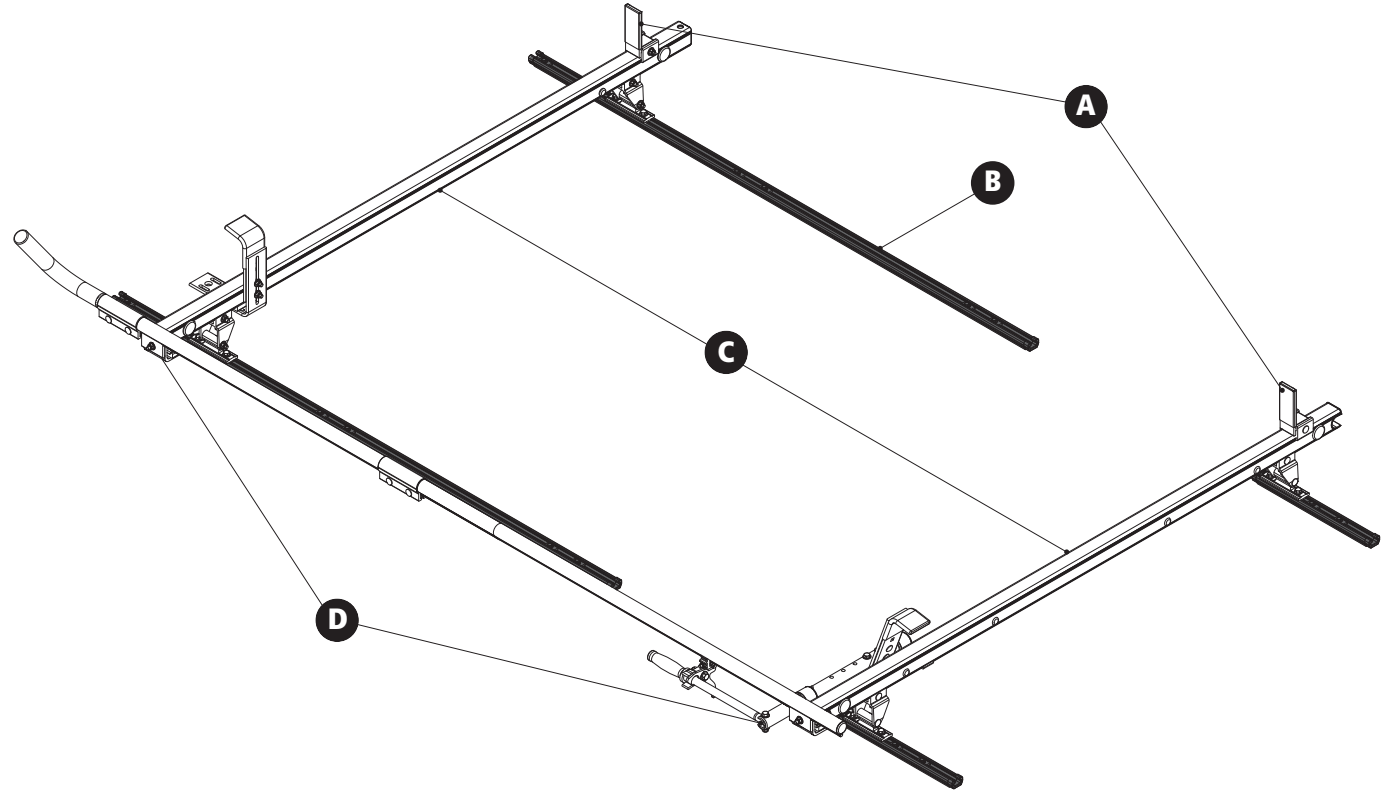
### ErgoRack Van—Load specifications:

Check vehicle manufacturer recommendations for roof capacity weight limits.

CROSSBAR SPACING	STEP LADDER	EXT. LADDER
4 ft Spacing	6 – 8 ft.	16 – 20 ft.
5 ft Spacing	8 – 10 ft.	16 – 24 ft.
6 ft Spacing	8 – 12 ft. <sup>†</sup>	16 – 28 ft.
7 ft Spacing	10 – 12 ft. <sup>†</sup>	20 – 32 ft.
8 ft Spacing	10 – 12 ft. <sup>†</sup>	20 – 36 ft.

<sup>†</sup>Rotation Configurations: 12 ft. step ladders require an extended upper add-on component.

\*Example shown with 126" Wheelbase Configuration



## VCB-ME-M

### ErgoRack, Mercedes Metris

Approximate dimensions as shown:

#### All Wheelbases

- A: Rack Width ..... 70"
- B: Rack Height ..... 14"
- C: Rear Crossbar Offset (L&R) ..... Even
- D: Mount Spacing L/R ..... Set at install

#### 126" Wheelbase

- E: Crossbar Spacing (rear to center) ..... 6'–8'
- F: Rack Length ..... 108"–110"

#### 135" Wheelbase

- G: Total Crossbar Spacing ..... 6'–8'
- H: Rack Length ..... 113"–115"

#### Compatible Accessories Available

(Sold Separately)

- Retractable Ratchet Tie-Down ..... [ACC-8000](#)
- Rear Access Ladder ..... [AAL Series](#)
- 8'–12' Conduit Carriers ..... [CON Series](#)
- WorkPro LED Lighting ..... [LED Series](#)
- Systems and Safety Components ..... [RVS Series](#)
- Safety monitoring ..... [DS2 Series](#)

