

CBA-3003

62" Crossbar Assembly Module

Dimensional Specifications on Page 2

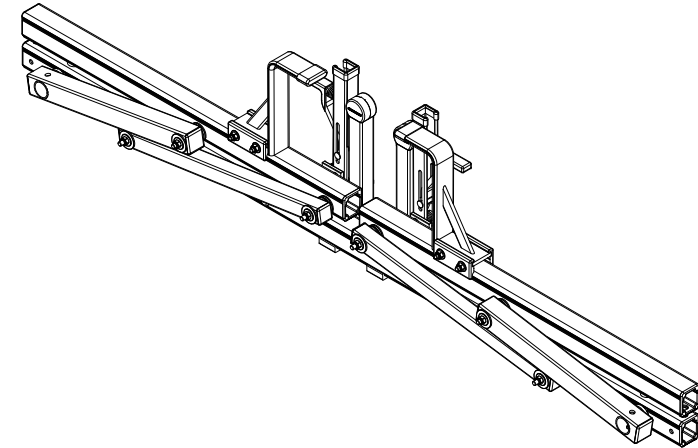
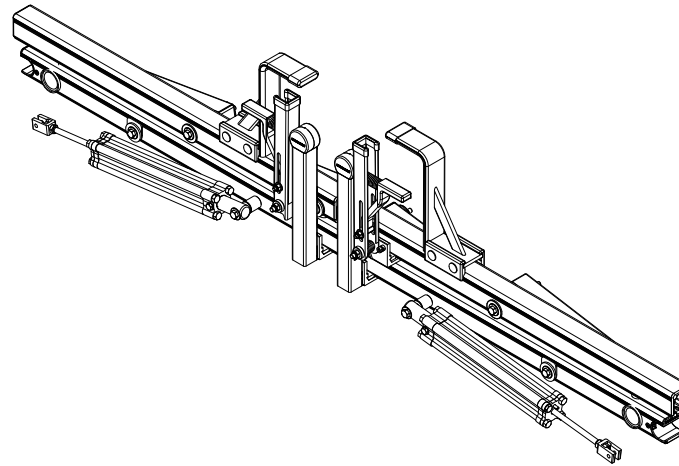
Configuration as shown:

Rotation Left/Rotation Right

Two Crossbars, US Gen4

Finish: White Powder Coat

Weight: 53 lbs



**Note: Mounting Hardware, Drive Shafts,
and Connecting Bars are purchased separately.*

For more information, please contact Sales & Support.

CBA-3003

62" Crossbar Assembly Module

Approximate dimensions as shown:

- A: Crossbar Length..... 62"
- B: Assembly Height..... 12.50"

*Note: Mounting Hardware, Drive Shafts, and Connecting Bars are purchased separately.
For more information, please contact Sales & Support.

Assembly Manual also available:

CBA-3003

USOV-CBA3003-US01 Rev-A 1118

*Other Parts and Hardware ordered separately

Typical Assembly with CBA-3003

