

CBA-3006

68" Crossbar Assembly Module

Dimensional Specifications on Page 2

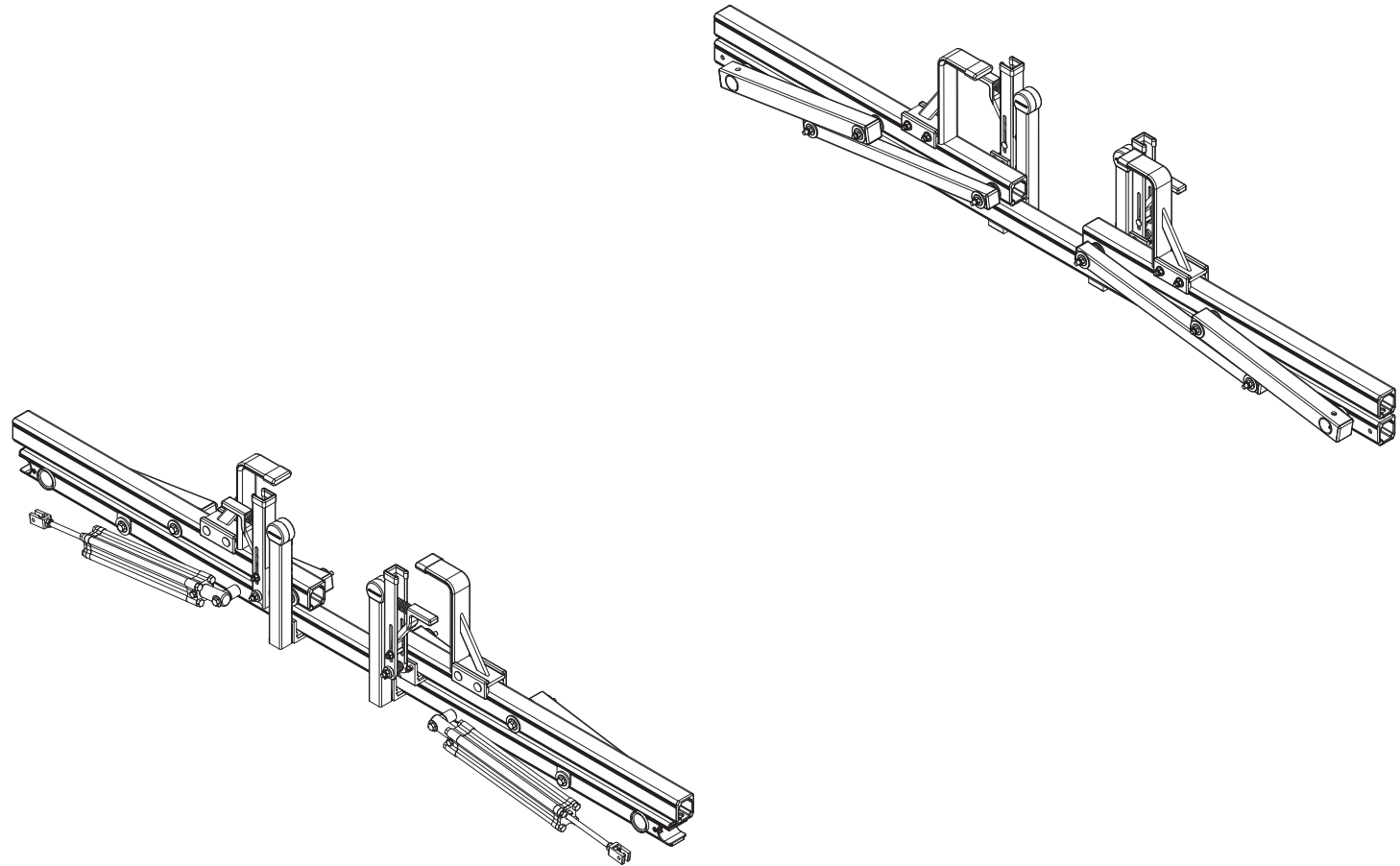
Configuration as shown:

Rotation Left/Rotation Right

Two Crossbars, US Gen4

Finish: White Powder Coat

Weight: 54 lbs



**Note: Mounting Hardware, Drive Shafts,
and Connecting Bars are purchased separately.*

For more information, please contact Sales & Support.

CBA-3006

68" Crossbar Assembly Module

Approximate dimensions as shown:

- A: Crossbar Length..... 68"
- B: Assembly Height..... 12.50"

**Note: Mounting Hardware, Drive Shafts, and Connecting Bars are purchased separately. For more information, please contact Sales & Support.*

Assembly Manual also available:

CBA-3006

USOV-CBA3006-US01 Rev-A 1118

**Other Parts and Hardware ordered separately*

Typical Assembly with CBA-3006

