

CBA-3007

72" Crossbar Assembly Module

Dimensional Specifications on Page 2

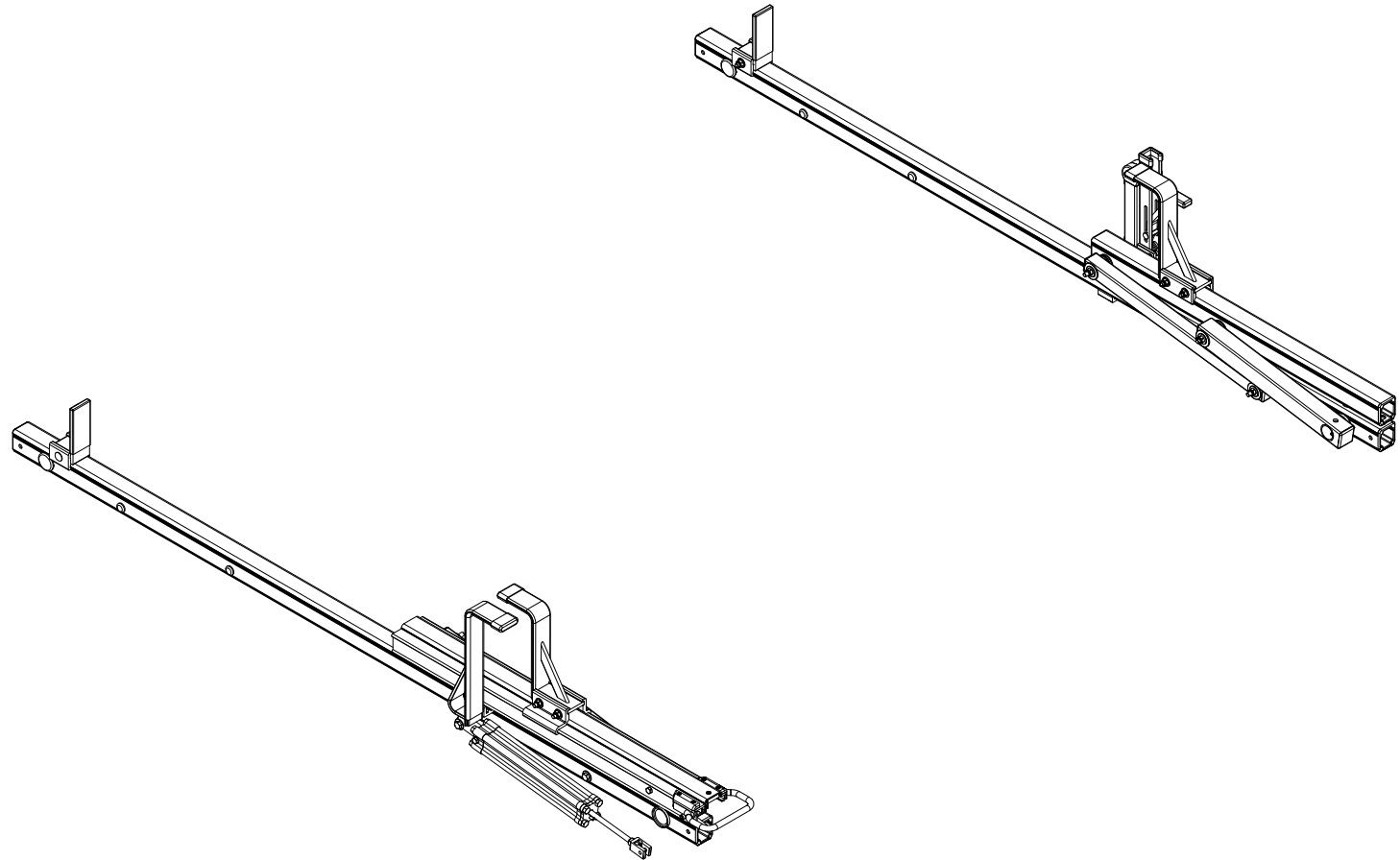
Configuration as shown:

Base Left/Slide Rotation Right

Two Crossbars, US Gen4

Finish: White Powder Coat

Weight: 39 lbs



**Note: Mounting Hardware, Drive Shafts, and Connecting Bars are purchased separately.*

For more information, please contact Sales & Support.

CBA-3007

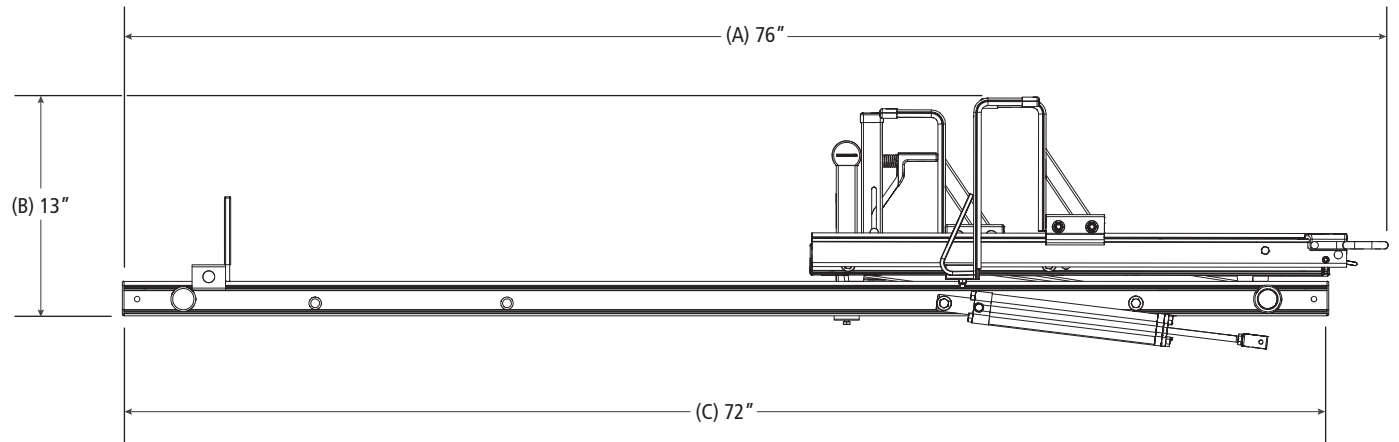
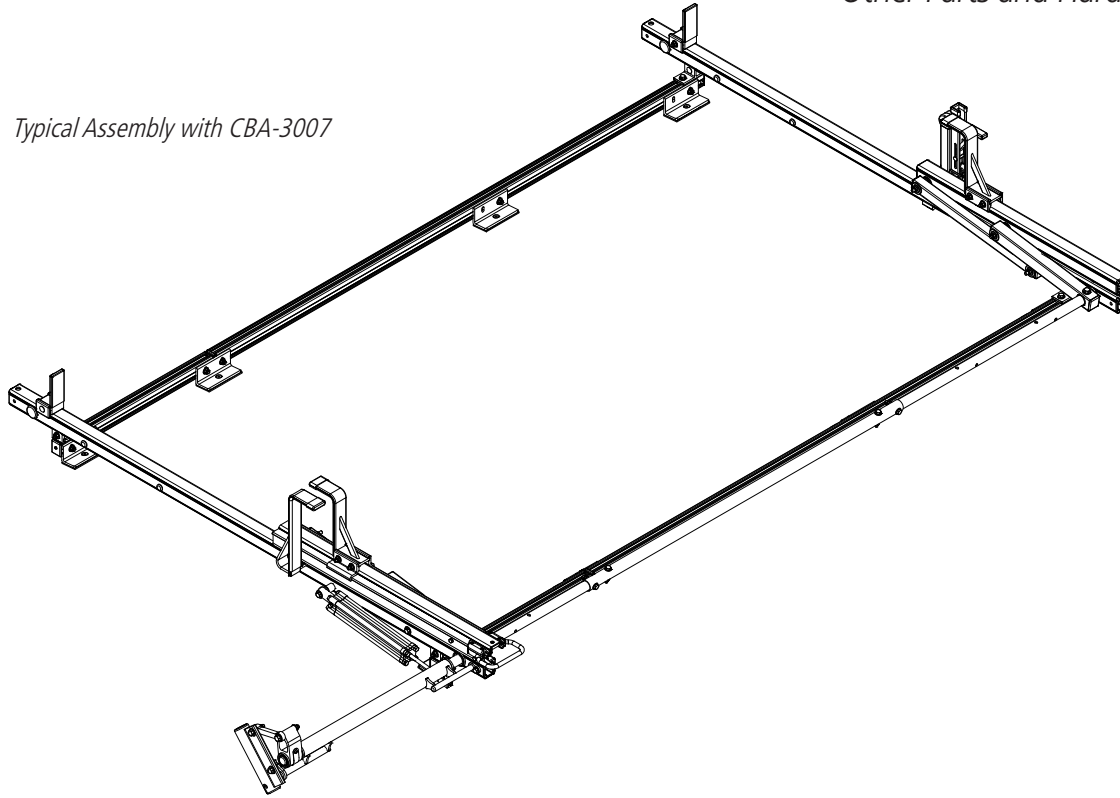
72" Crossbar Assembly Module

Approximate dimensions as shown:

A: Assembly Width.....	76"
B: Assembly Height.....	13"
C: Crossbar Length.....	72"

*Other Parts and Hardware ordered separately

Typical Assembly with CBA-3007



*Note: Mounting Hardware, Drive Shafts, and Connecting Bars are purchased separately.
For more information, please contact Sales & Support.

Assembly Manual also available:

CBA-3007

USOV-CBA3007-US01 Rev-A 1118