

## CBA-3008

### 72" Crossbar Assembly Module

Dimensional Specifications on Page 2

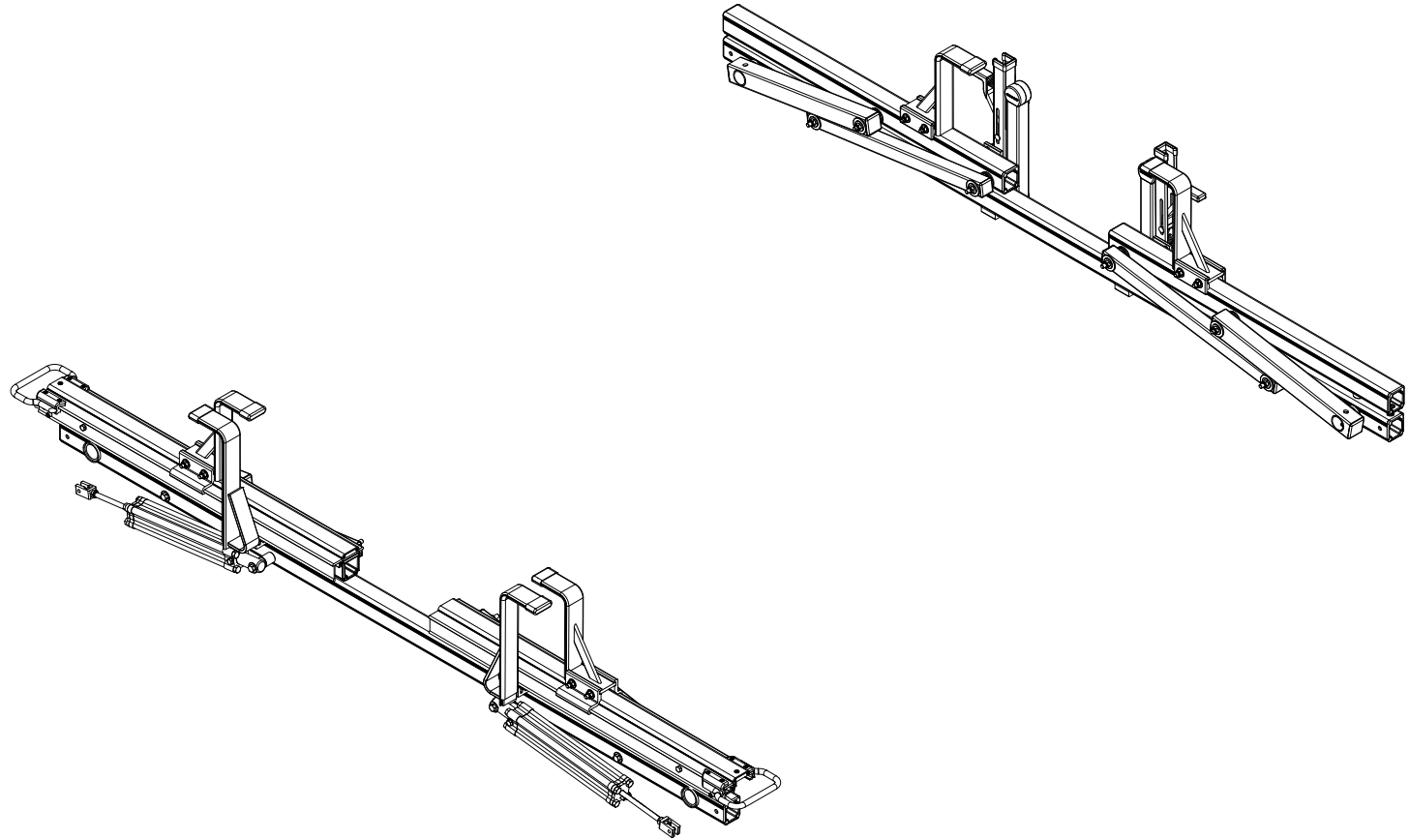
#### *Configuration as shown:*

Slide Rotation Left/Slide Rotation Right

Two Crossbars, US Gen4

Finish: White Powder Coat

Weight: 62 lbs



*\*Note: Mounting Hardware, Drive Shafts,  
and Connecting Bars are purchased separately.*

*For more information, please contact Sales & Support.*

## CBA-3008

### 72" Crossbar Assembly Module

Approximate dimensions as shown:

A: Assembly Width.....	80"
B: Assembly Height.....	13"
C: Crossbar Length.....	72"

\*Note: Mounting Hardware, Drive Shafts,  
and Connecting Bars are purchased separately.  
For more information, please contact Sales & Support.

Assembly Manual also available:

## CBA-3008

USOV-CBA3008-US01 Rev-A 1118

\*Other Parts and Hardware ordered separately

Typical Assembly with CBA-3008

