

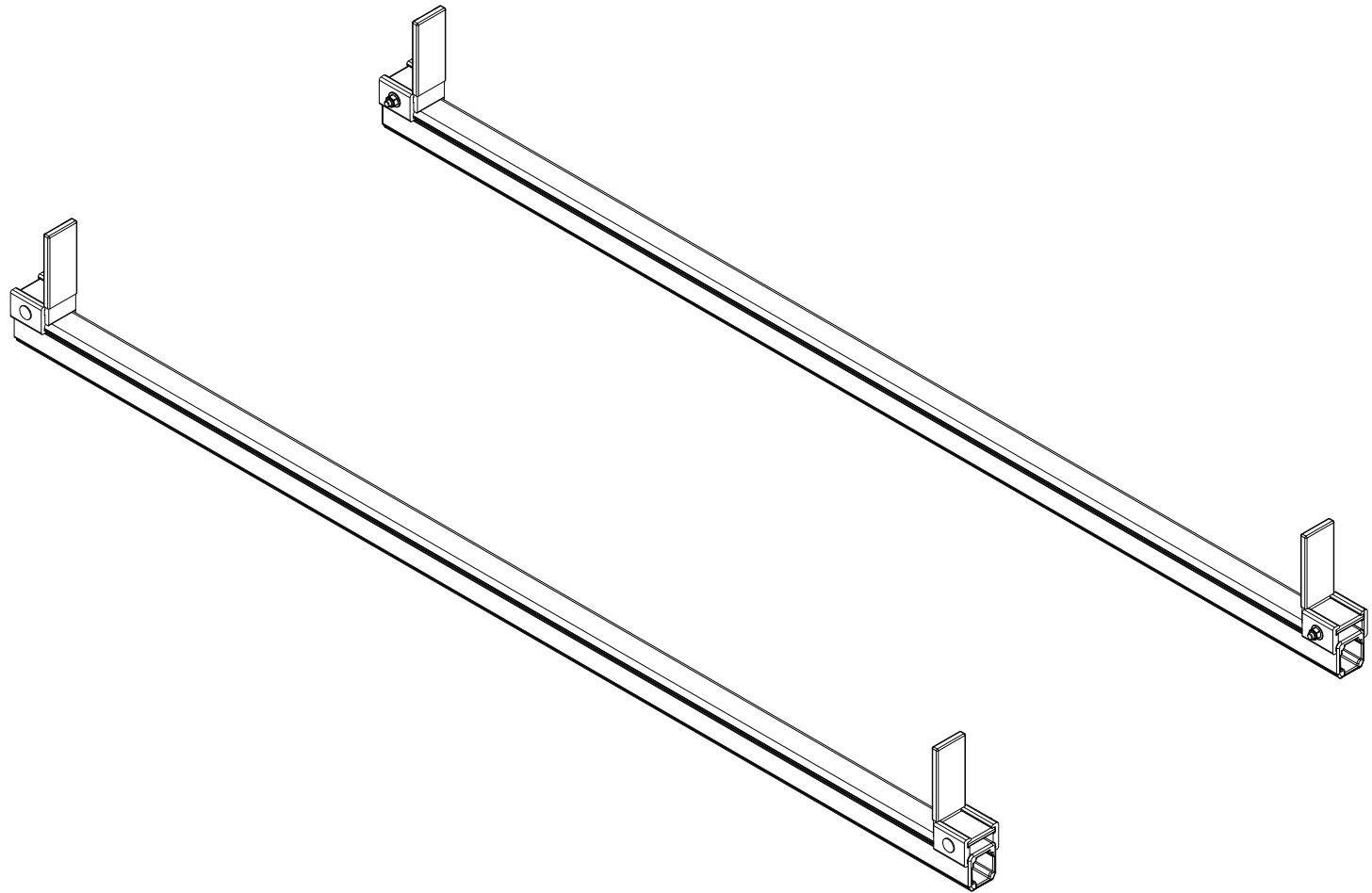
CBA-3001

62" Crossbar Assembly Module

Dimensional Specifications on Page 2

Configuration as shown:

Base Left/Base Right
Two Crossbars, US Gen4
Finish: White Powder Coat
Weight: 13.751 lbs



**Note: Mounting Hardware, Drive Shafts,
and Connecting Bars are purchased separately.
For more information, please contact Sales & Support.*

CBA-3001

62" Crossbar Assembly Module

Approximate dimensions as shown:

A: Assembly Width.....	3"
B: Assembly Height.....	7"
C: Crossbar Length.....	62"

**Note: Mounting Hardware, Drive Shafts,
and Connecting Bars are purchased separately.
For more information, please contact Sales & Support.*

Assembly Manual also available:

CBA-3001

USOV-CBA3001-US01 Rev-B 0319

**Other Parts and Hardware ordered separately*

Typical Assembly with CBA-3001

