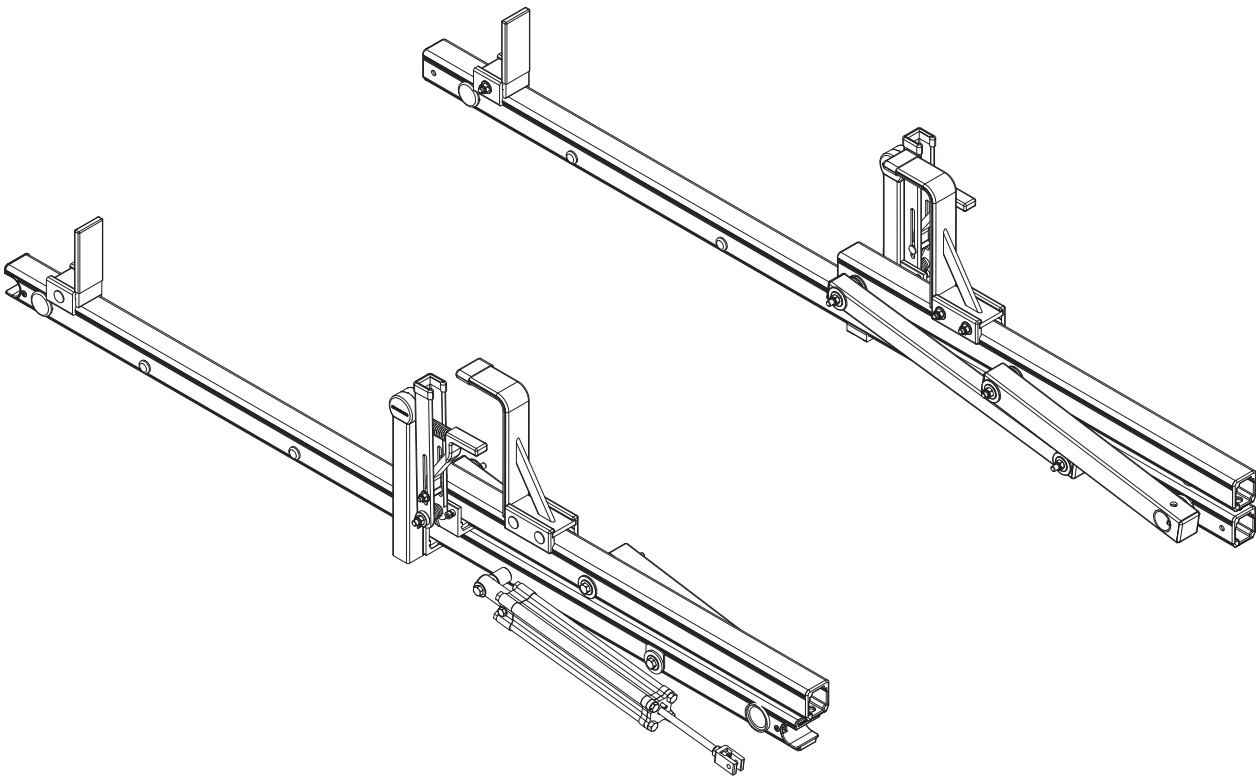


# PRIME DESIGN™

A Safe Fleet Brand



CBA 3002

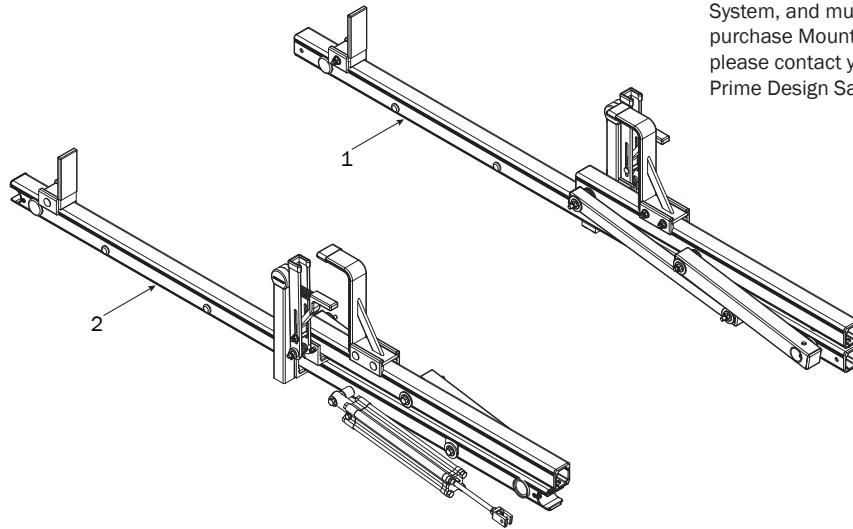
## 62" CROSSBAR ASSEMBLY

PRIME DESIGN, A SAFE FLEET BRAND • Address: 1689 Oakdale Avenue #102, West St Paul, Minnesota 55118  
Toll Free: 1.8.PRIME.RACK • Fax: 651-552-1799 • Email: info@primedesign.net • Website: www.primedesign.net

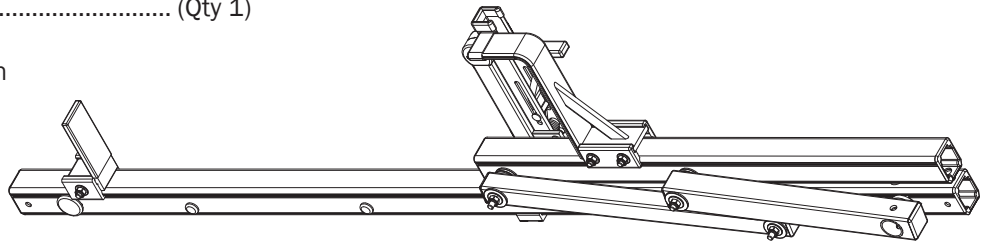
# CONTENTS OVERVIEW



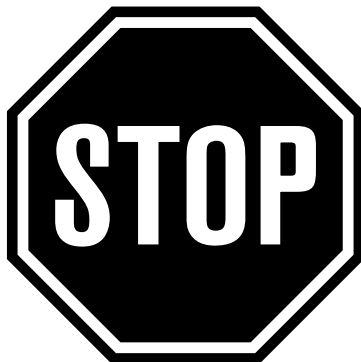
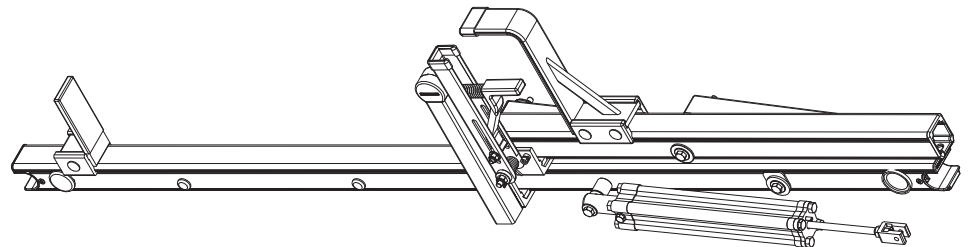
**Note:** This Crossbar module does not come with Crossbar Mounting Brackets, or a Mounting Base System, and must be purchased separately. To purchase Mounting Brackets or Base System, please contact your authorized distributor, or a Prime Design Sales & Service Representative.



1—Front Crossbar ..... (Qty 1)  
Gen 4, 62.00”  
LH Ladder Stop, RH Rotation



2—Rear Crossbar..... (Qty 1)  
Gen 4, 62.00”, Interlocking  
LH Ladder Stop, RH Rotation



## READ FIRST!

**Do not mount the Crossbars to an FBM system at this time.**

Refer to the respective FBM Assembly Manual(s) included with your chosen rack configuration features.

*WARNING: Failure to position the Crossbars as shown in your FBM Assembly Manual may result in damage to the sliding and/or swinging doors, and/or ladder rack.*

**INSTALLER NOTE:** To purchase applicable features and accessories, please contact your authorized distributor, or a Prime Design Sales & Service Representative.