

LED-310

WorkPro Ultra-Bright LED Work Area Lighting

Dimensional Specifications on Page 2

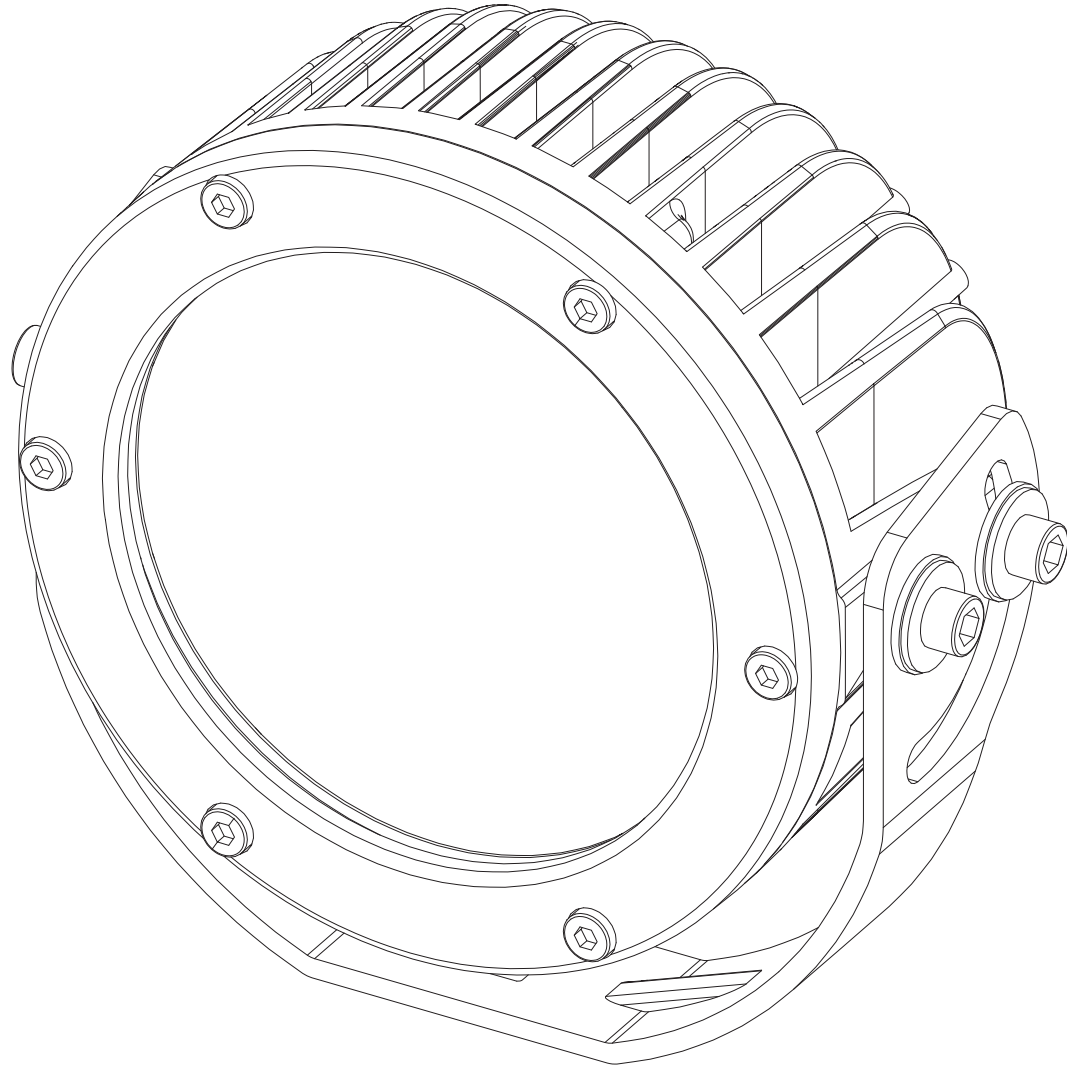
Configuration as shown:

3500 Lumens
IP68 Rating
9-36 DC Input
50,000+ Operating Hours
Instant On/Off

Variations Available:
LED-310-A03 Spot Beam
LED-310-B03 Flood Beam
Finish: White or Black

**Note: When ordering, specify "B" for black
and "W" for white after model number.*

**REFER TO TABLE BELOW FOR POWER REQUIREMENTS*



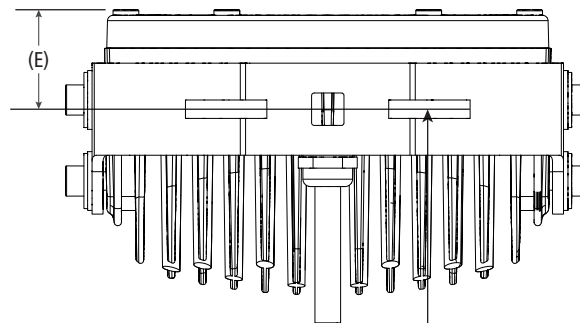
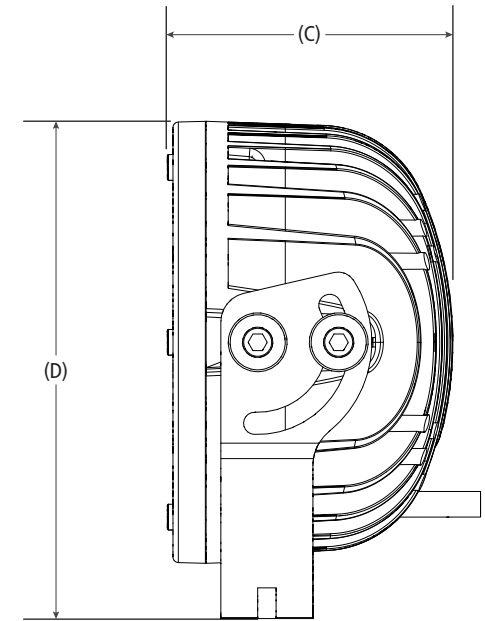
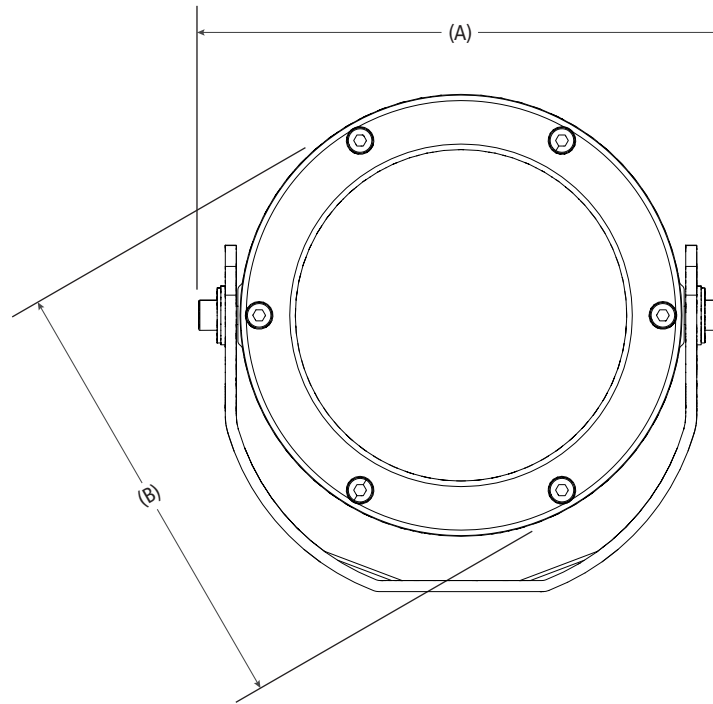
Power Requirements			
MODEL	Operating Voltage (12V/24V)	POWER (WATTS)	AMP DRAW (12V/24V)
LED-310	9-36	35	2.9/1.4

SAFE FLEET
Work Truck
LED-310

**WorkPro Ultra-Bright
LED Work Area Lighting**

Approximate dimensions as shown:

- A: Overall Width 5.58"
- B: Beam Diameter 4.75"
- C: Overall Length 3.0625"
- D: Overall Height 5.3125"
- E: Lens to Mounting Hole Distance 1.0625"



.328" clearance hole for
supplied M8 fastener

**REFER TO TABLE BELOW FOR POWER REQUIREMENTS*

Power Requirements			
MODEL	Operating Voltage (12V/24V)	POWER (WATTS)	AMP DRAW (12V/24V)
LED-310	9-36	35	2.9/1.4

**Note: When ordering, specify "B" for black and "W" for white after model number.*