

VCB-GM-M

ErgoRack, 1996+ GM Van

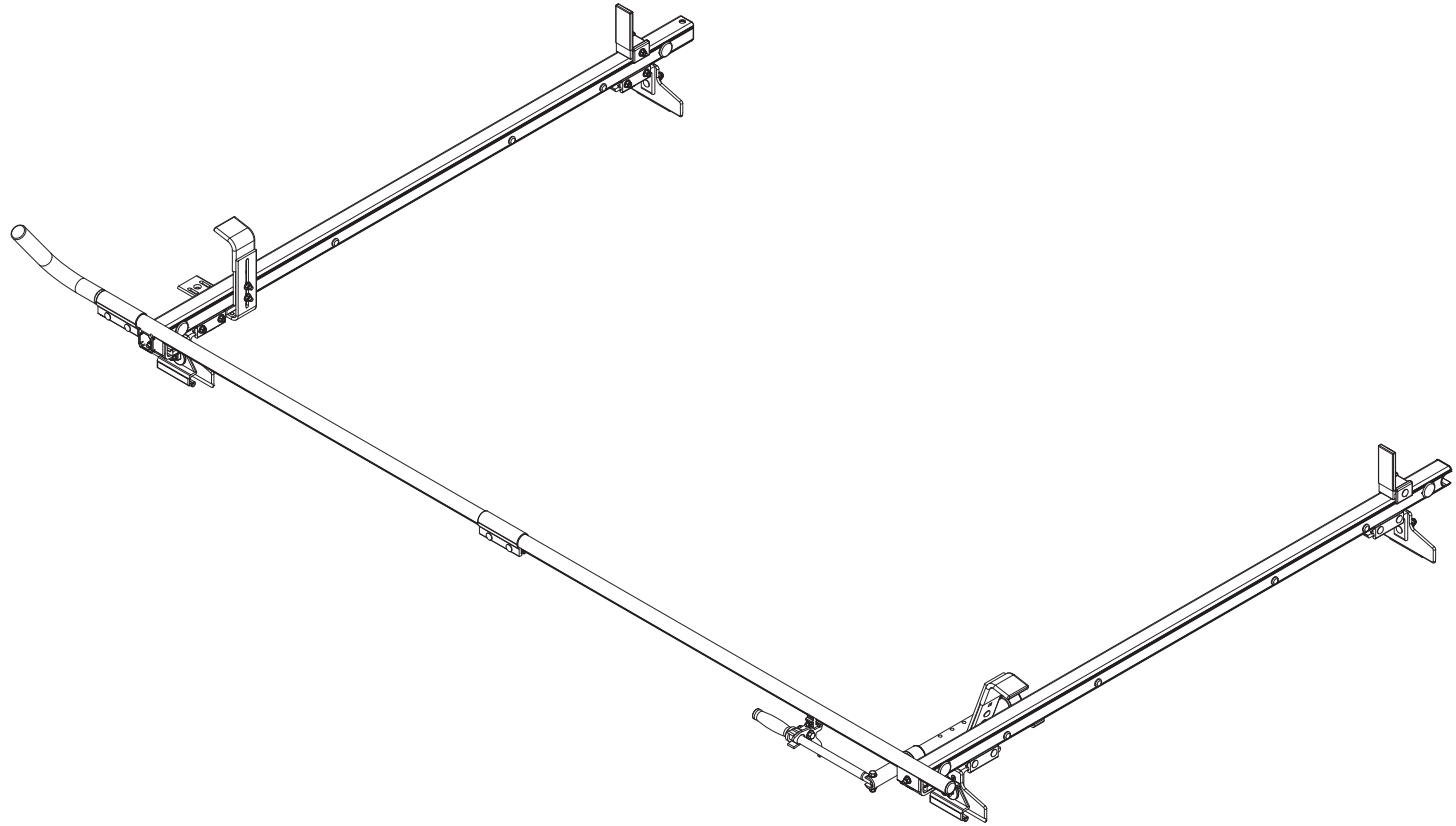
Dimensional Specifications on Page 6

Configuration as shown:

Clamp Down Left/Base Right
Two Crossbars, US Gen4
Finish: White Powder Coat
FBM-1016 Mounting System
CBR-0003 Crossbar Feature
FEA-0001 Ladder Stop Feature
FEA-0008 Clamp Down Feature
Rack Weight (empty): 55.25 lbs

Load specifications as shown:

Maximum Ladder Weight LH..... 75 lbs
Maximum Ladder Length LH..... 32 ft
Maximum Ladder Section LH 16 ft
Maximum Ladder Weight RH 100 lbs
Maximum Ladder Length RH 32 ft
Maximum Ladder Section RH..... 16 ft



FBM-1016

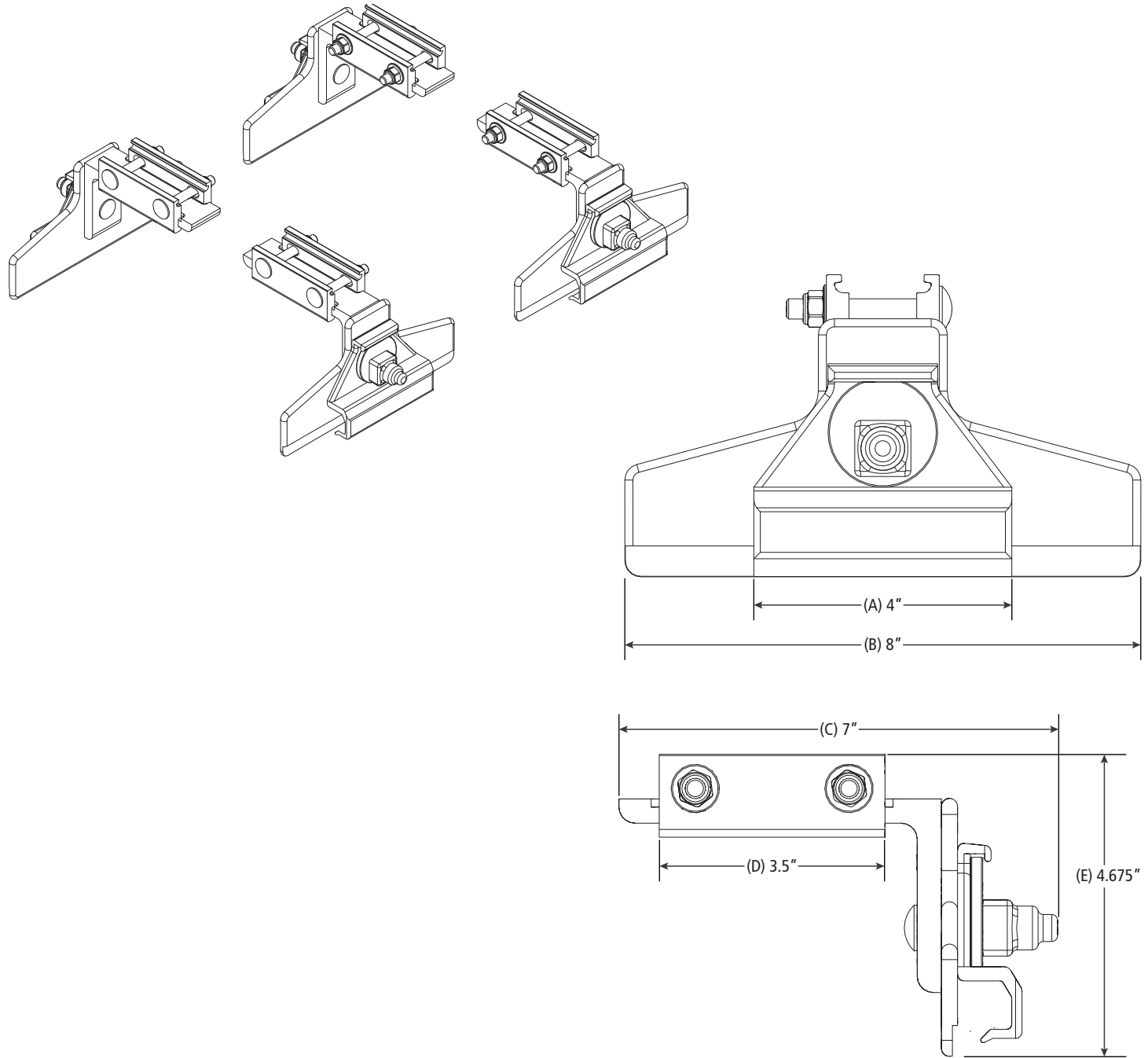
GMC/Chevrolet Crossbar Mount

Configuration as shown:

Two Crossbar Mounting, US Gen4
Vehicle Roof Gutter Mounting Brackets
Finish: Anodized Aluminum
Kit Weight: 15.25 lbs

Approximate dimensions as shown:

- A: Z Plate Width4"
- B: Mounting Plate Width8"
- C: Mounting Bracket Total Length6.375"
- D: Top Clamp Length3.5"
- E: Total Mounting Bracket Height.....4.675"



Assembly Manual also available:

FBM-1016

USOV-FBM1016-US01 Rev-A 0619

PRIME DESIGN™

A Safe Fleet Brand

CBR-0003

Crossbar Module

Configuration as shown:

Rotation Left/Rotation Right, US Gen4

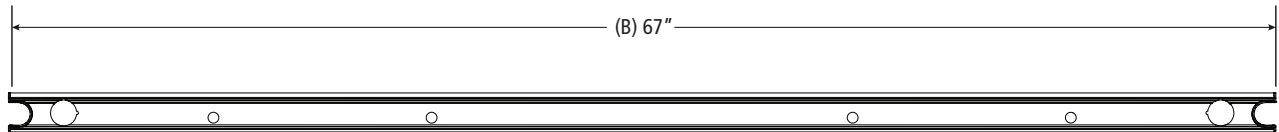
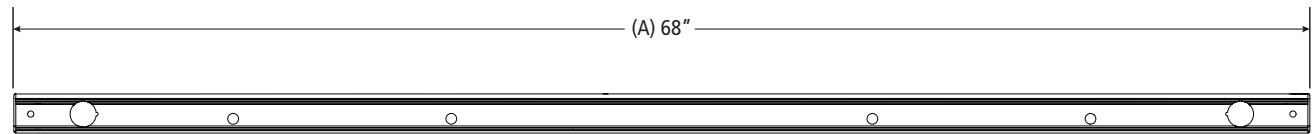
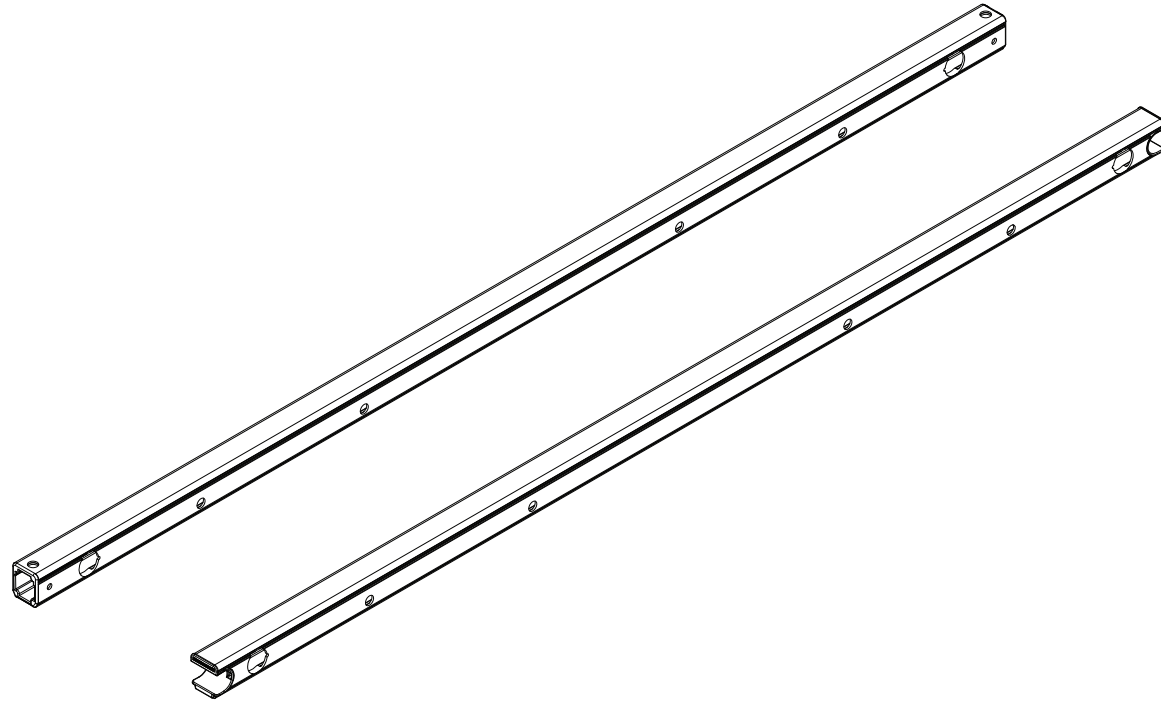
Finish: White Powder Coat

Weight: 13 lbs

Approximate dimensions as shown:

A: Front Crossbar Length 68"

B: Rear Crossbar Length 67"



Assembly Manual also available:

CBR-0003

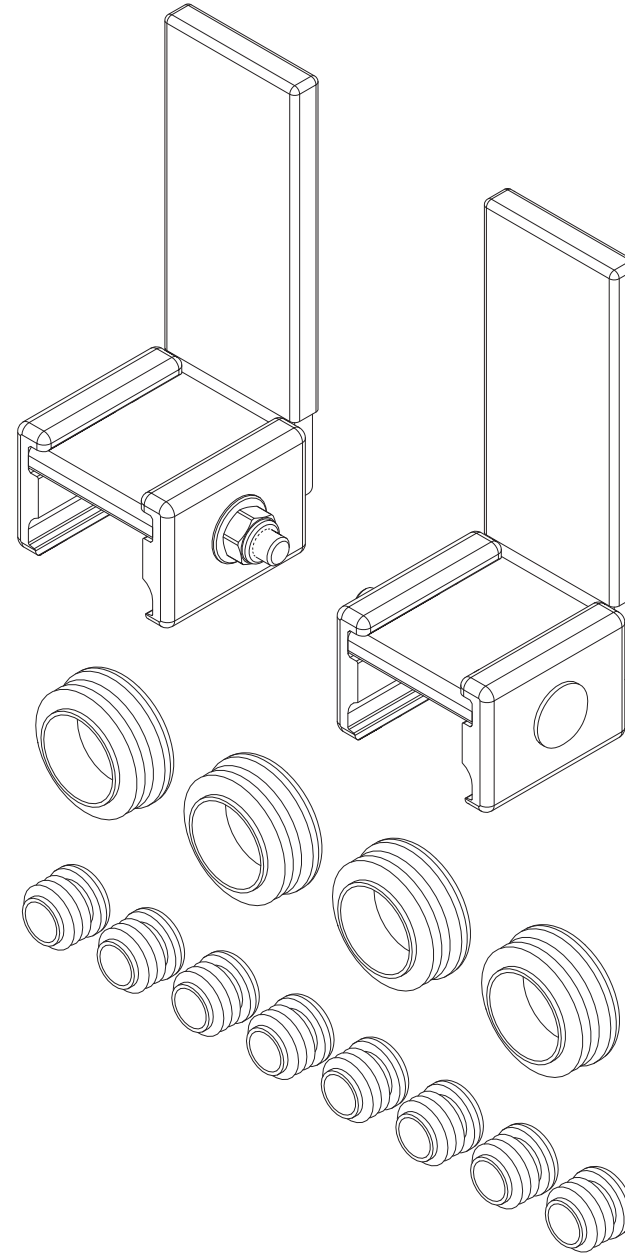
USOV-CBR0003-US01 Rev-C 1218

FEA-0001

End Stop Module

Configuration as shown:

Ladder End Stops, US Gen4
Finish: White Powder Coat
HKT-8402 Crossbar Caps
Kit Weight: 2 lbs



Assembly Manual also available:

FEA-0001

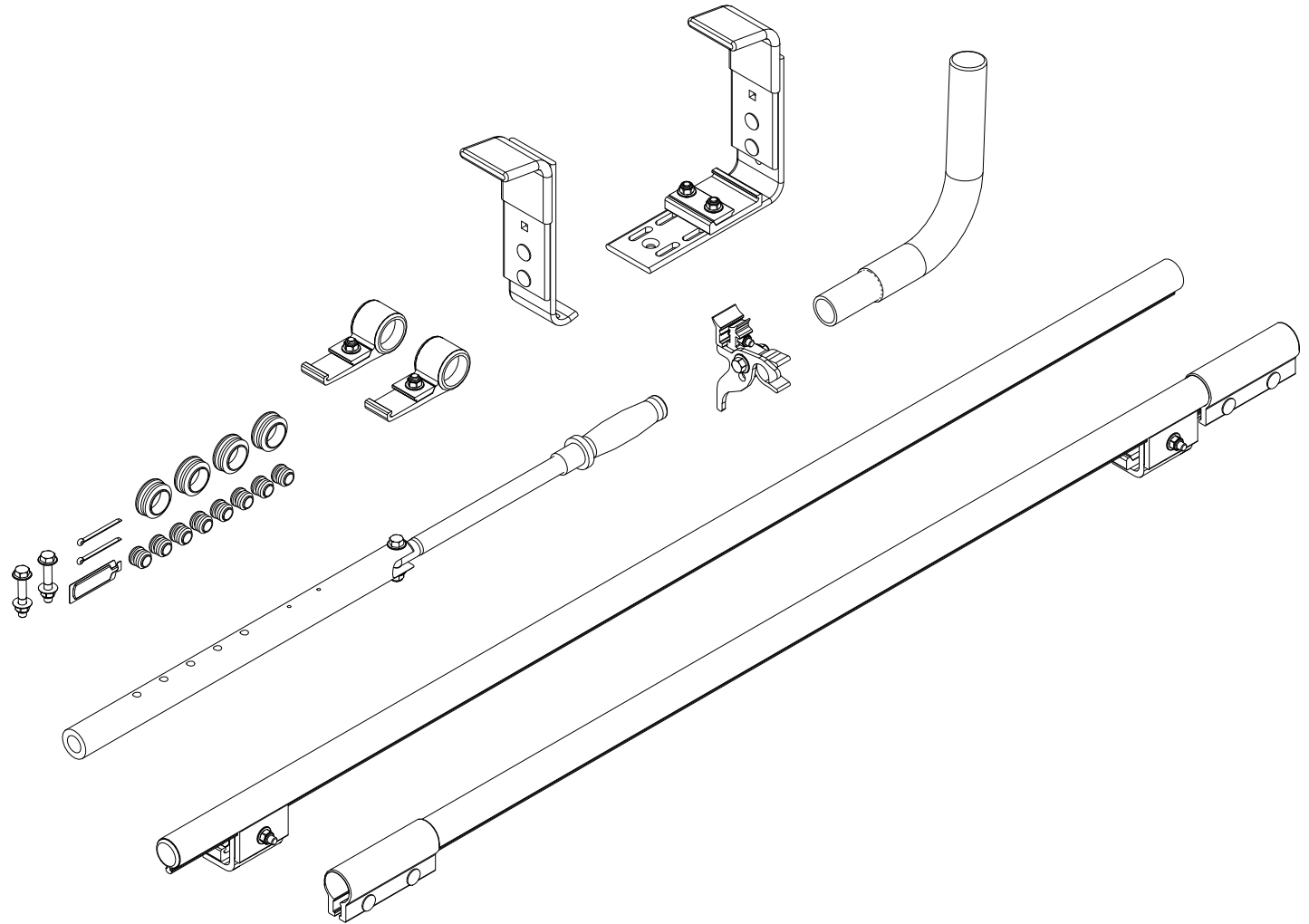
USOV-FEA0001-US01 Rev-A 0619

FEA-0008

RH/LH Clamp Down Module

Configuration as shown:

8' Clamp Down, US Gen4
Finish: White Powder Coat
HKT-8403 Hardware Kit
Kit Weight: 25 lbs



Assembly Manual also available:

FEA-0008

USOV-FEA0008-US01 Rev-A 0619

VCB-GM-M

ErgoRack, 1996+ GM Van

Approximate dimensions as shown:

- A: Rack Width 72.50"
- B: Crossbar Offset Even
- C: Mount Spacing L/R Variable
- D: Overall Height 97"
- E: Rack Height 13"
- F: Rack Length 60"–108"
- G: Crossbar Spacing 4'–8'
- H: Roof Height 84"
- I: Wheel Base (MWB-XLWB) 135"–155"

