

## VRB-GM-M

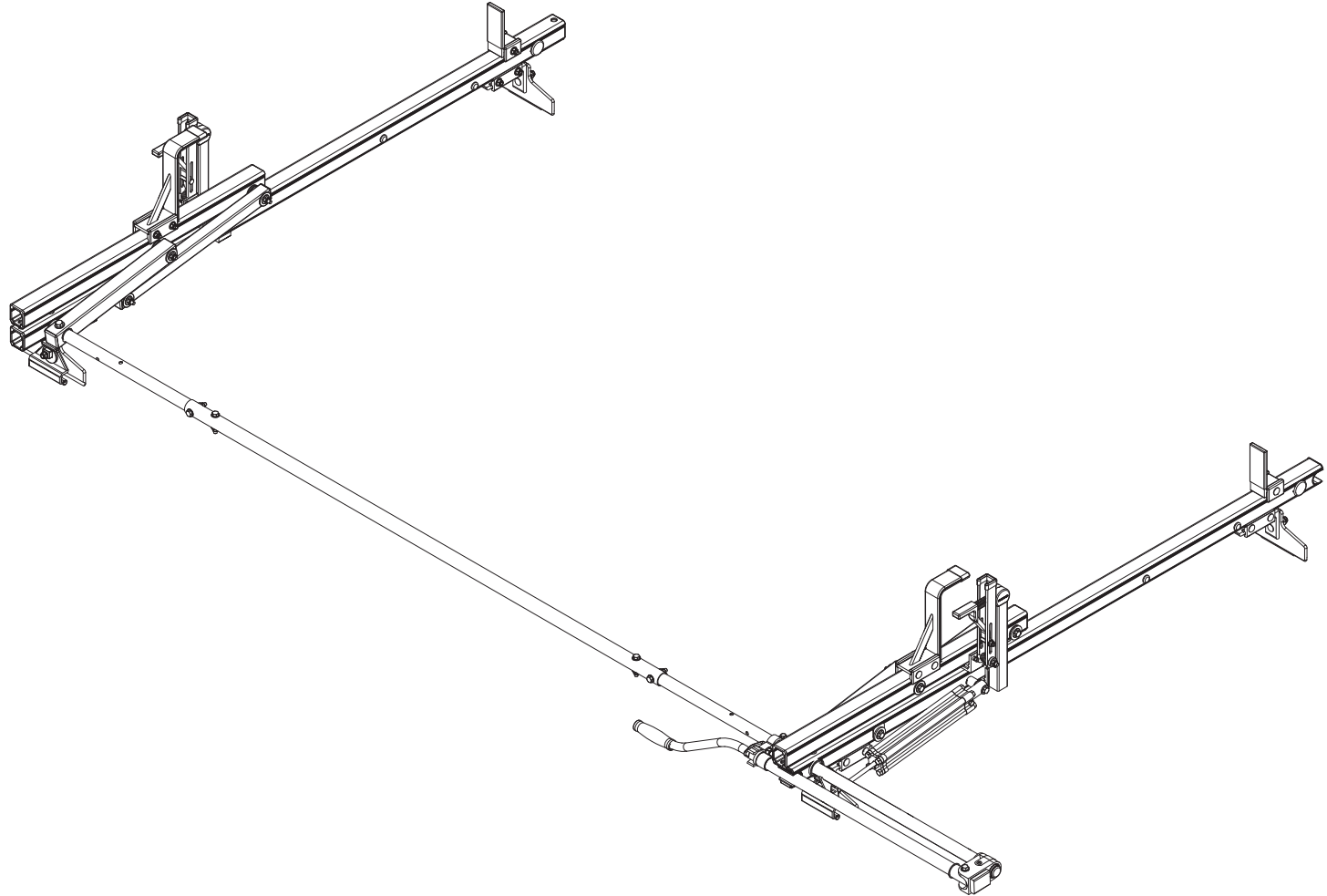
ErgoRack, 1996+ GM Van  
Dimensional Specifications on Page 8

*Configuration as shown:*

- Rotation Left/Base Right
- Two Crossbars, US Gen4
- Finish: White Powder Coat
- FBM-1016 Mounting System
- CBR-0003 Crossbar Feature
- FEA-0015 Bent Handle Feature
- FEA-0002 Rotation Feature
- FEA-0001 Ladder Stop Feature
- FEA-0022 5' Connecting Bar Feature
- Rack Weight (empty): 81.25 lbs

*Load specifications as shown:*

- Maximum Ladder Weight LH..... 75 lbs
- Maximum Ladder Length LH..... 32 ft
- Maximum Ladder Section LH ..... 16 ft
- Maximum Ladder Weight RH ..... 100 lbs
- Maximum Ladder Length RH ..... 32 ft
- Maximum Ladder Section RH..... 16 ft



## FBM-1016

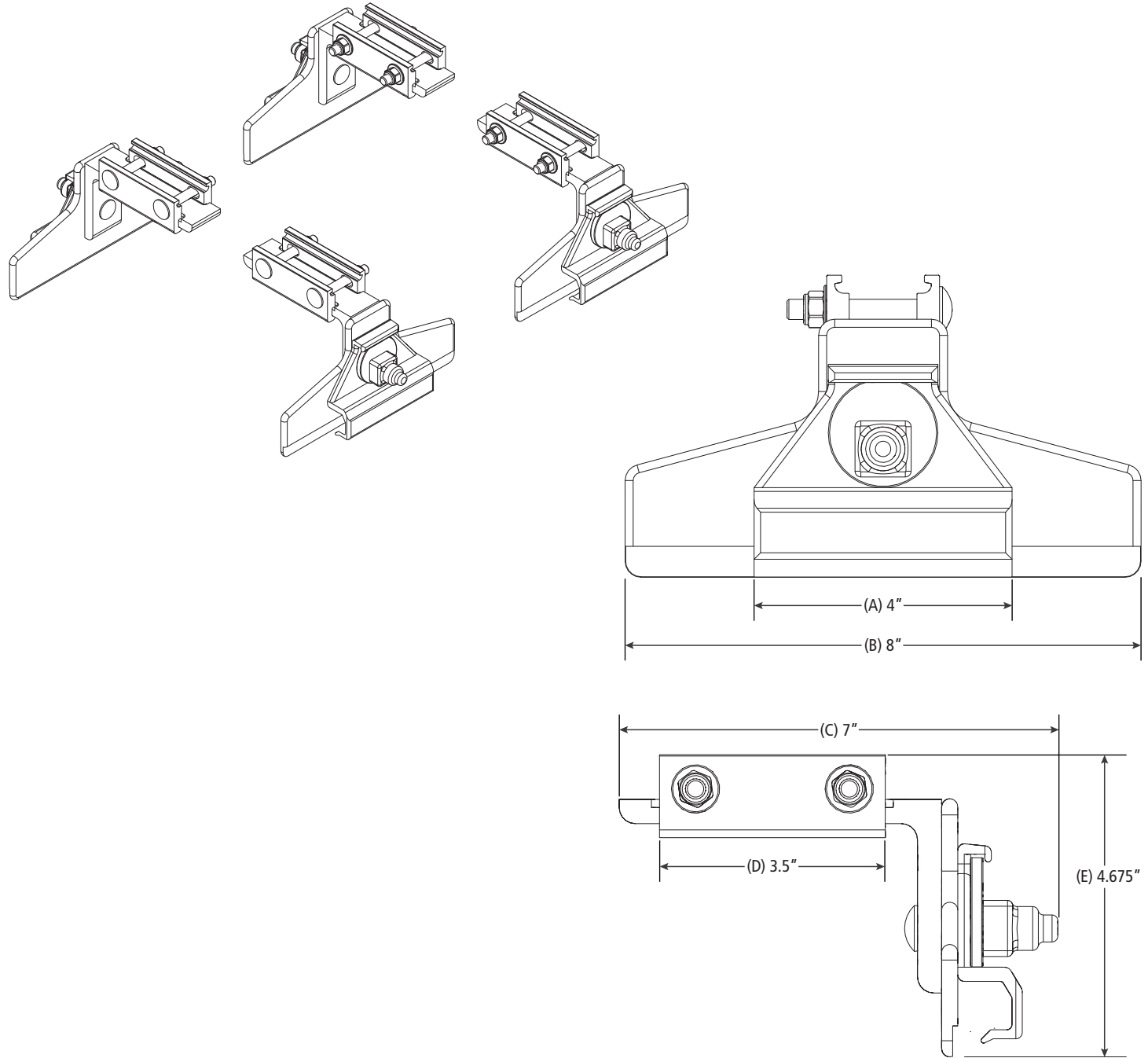
### GMC/Chevrolet Crossbar Mount

#### Configuration as shown:

Two Crossbar Mounting, US Gen4  
Vehicle Roof Gutter Mounting Brackets  
Finish: Anodized Aluminum  
Kit Weight: 15.25 lbs

#### Approximate dimensions as shown:

- A: Z Plate Width ..... 4"
- B: Mounting Plate Width ..... 8"
- C: Mounting Bracket Total Length ..... 6.375"
- D: Top Clamp Length ..... 3.5"
- E: Total Mounting Bracket Height ..... 4.675"



Assembly Manual also available:

## FBM-1016

USOV-FBM1016-US01 Rev-A 0619

# PRIME DESIGN™

A Safe Fleet Brand

## CBR-0003

### Crossbar Module

*Configuration as shown:*

Rotation Left/Rotation Right, US Gen4

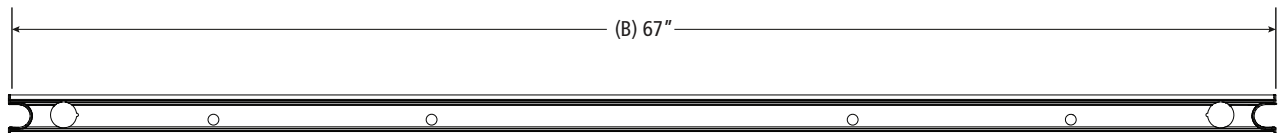
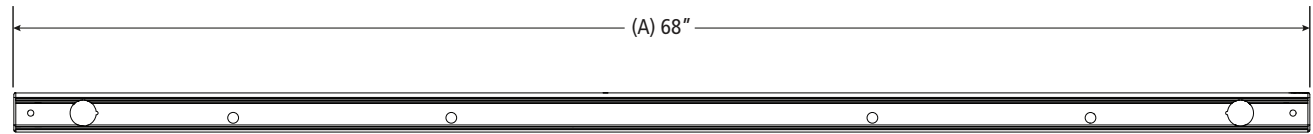
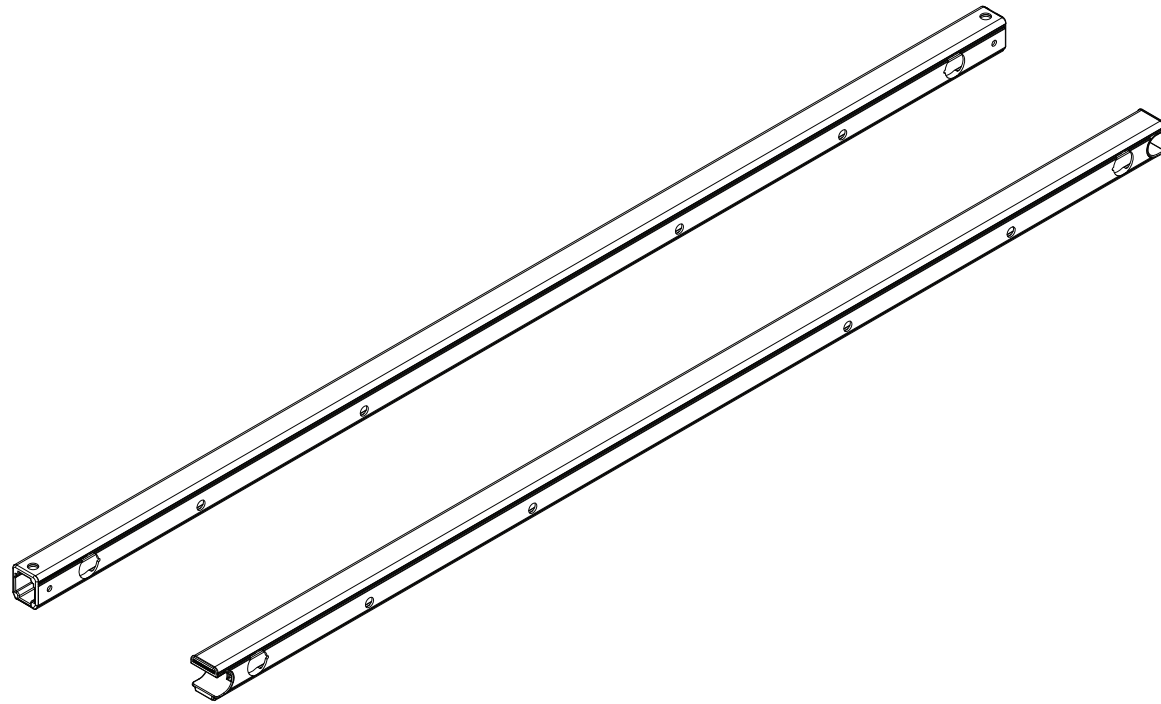
Finish: White Powder Coat

Weight: 13 lbs

*Approximate dimensions as shown:*

A: Front Crossbar Length ..... 68"

B: Rear Crossbar Length ..... 67"



*Assembly Manual also available:*

## CBR-0003

USOV-CBR0003-US01 Rev-C 1218

## FEA-0002

### Rotation-Rotation Module

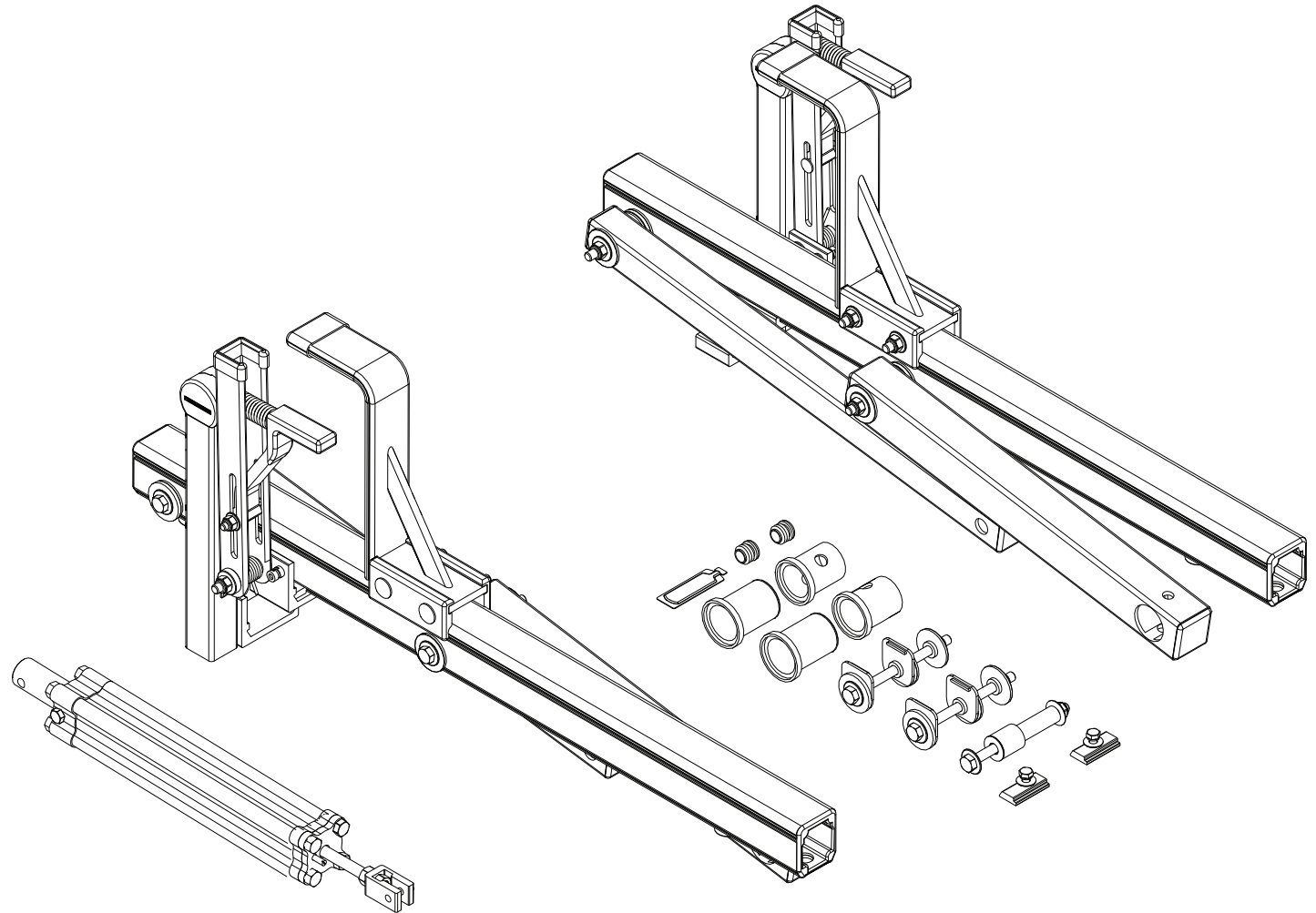
*Configuration as shown:*

RotationLeft/Rotation Right, US Gen4

Finish: White Powder Coat

HKT-8401 Rotation Module Hardware

Kit Weight: 21 lbs



*Assembly Manual also available:*

## FEA-0002

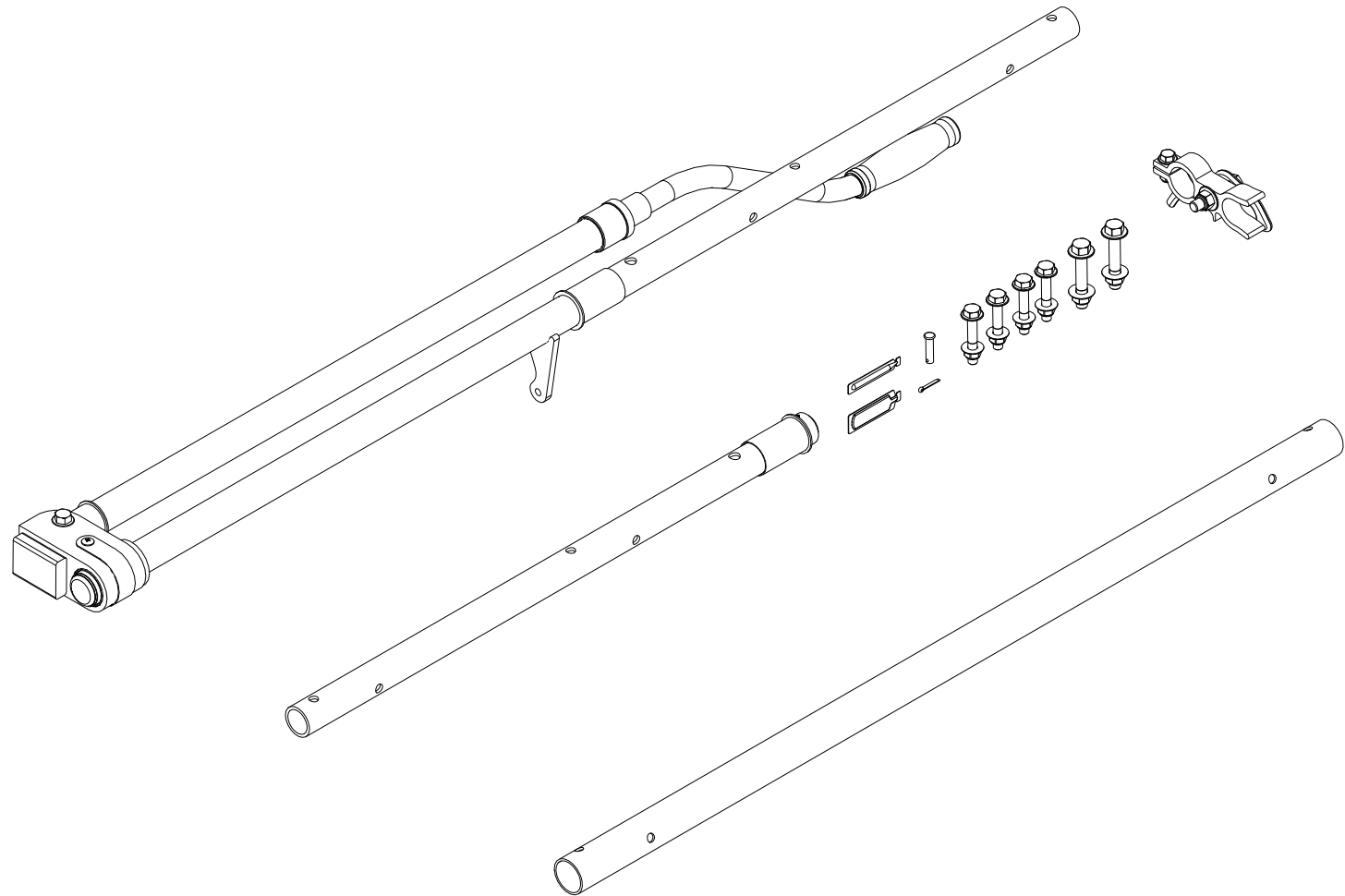
USOV-FEA0002-US01 Rev-A 0619

## FEA-0016

### Left Hand Rotation Kit

*Configuration as shown:*

Bent Handle Driveshaft Feature, US Gen4  
Finish: White Powder Coat  
HKT-8162 Hardware  
Kit Weight: 24 lbs



*Assembly Manual also available:*

## FEA-0016

USOV-FEA0015-US01 Rev-A 0619

## FEA-0001

### End Stop Module

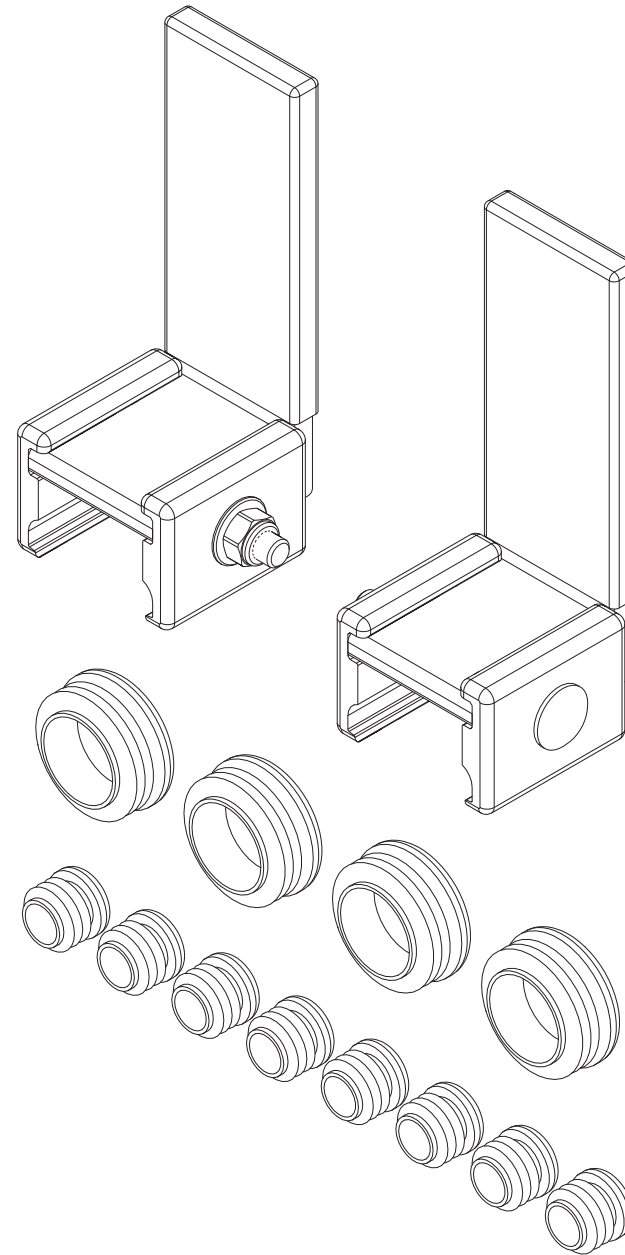
*Configuration as shown:*

Ladder End Stops, US Gen4

Finish: White Powder Coat

HKT-8402 Crossbar Caps

Kit Weight: 2 lbs



*Assembly Manual also available:*

## FEA-0001

USOV-**FEA0001**-US01 Rev-A 0619

# PRIME DESIGN™

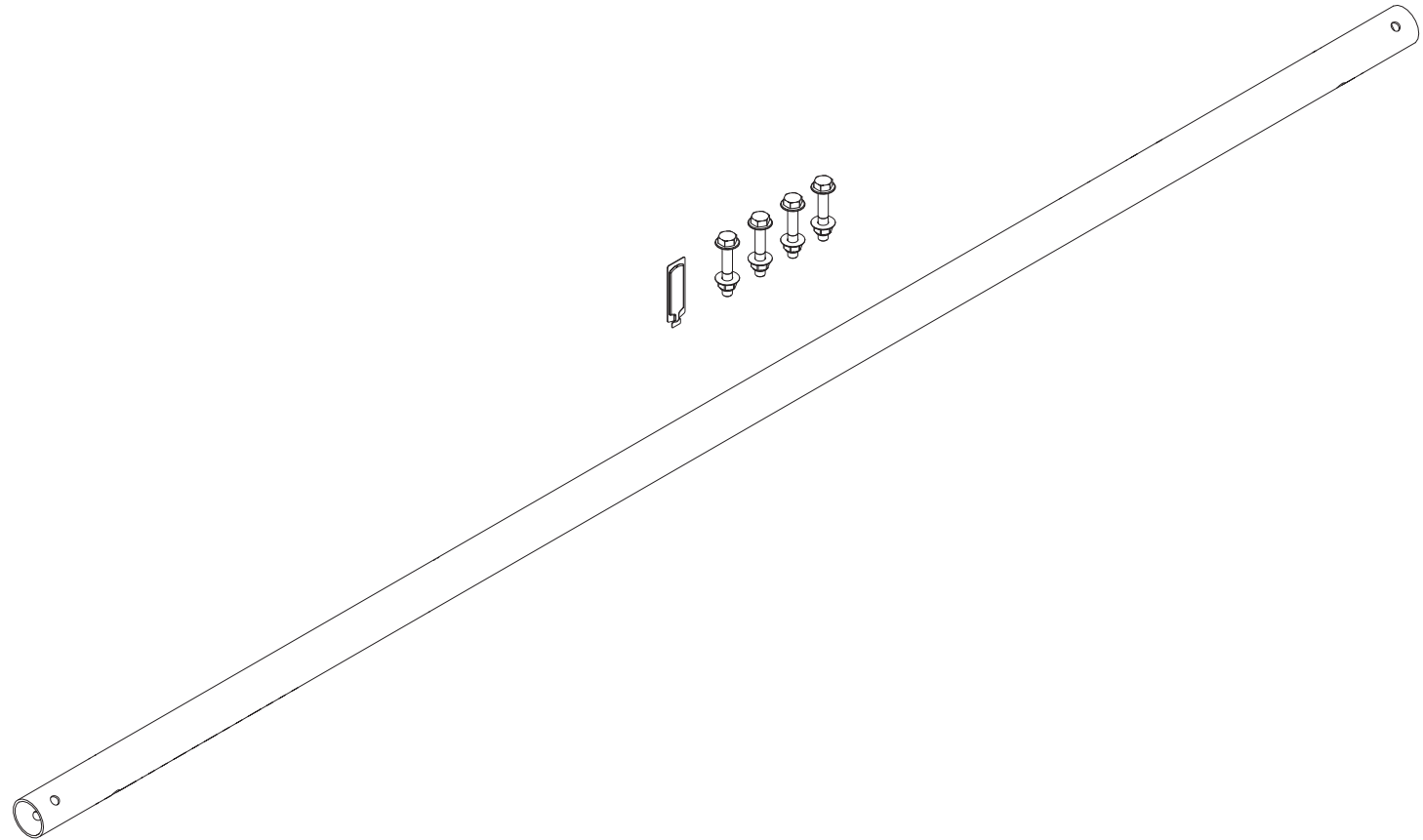
A Safe Fleet Brand

## FEA-0022

### Connecting Bar Kit

*Configuration as shown:*

Connecting Bar, US Gen4  
Finish: White Powder Coat  
HKT-8404 Hardware Kit  
Bar Length: 60"  
Kit Weight: 6 lbs



*Assembly Manual also available:*

## FEA-0022

USOV-FAE0022-US01 Rev-A 0619

## VRB-GM-M

### ErgoRack, 1996+ GM Van

Approximate dimensions as shown:

A: Rack Width .....	68"
B: Crossbar Offset .....	Even
C: Mount Spacing L/R .....	Variable
D: Overall Height .....	101.25"
E: Rack Height .....	17.25"
F: Rack Length .....	86"–122"
G: Crossbar Spacing .....	5'–8'
H: Roof Height .....	84"
I: Wheel Base (MWB-XLWB) .....	135"–155"

