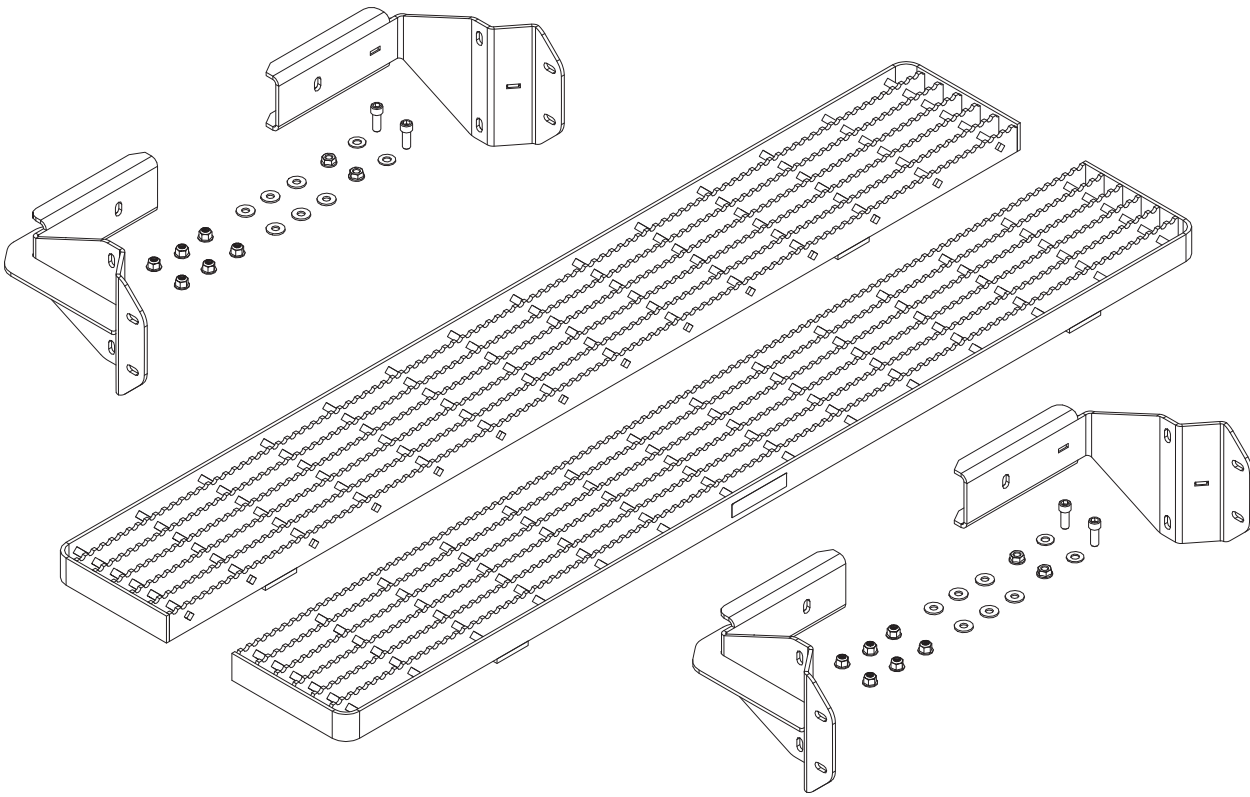


PRIME DESIGN™

A Safe Fleet Brand

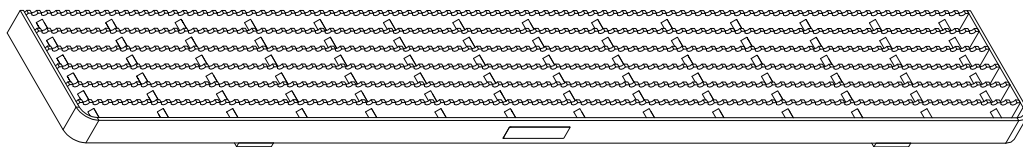


*ROM RUNNING BOARD PAIR
(REGULAR CAB)*

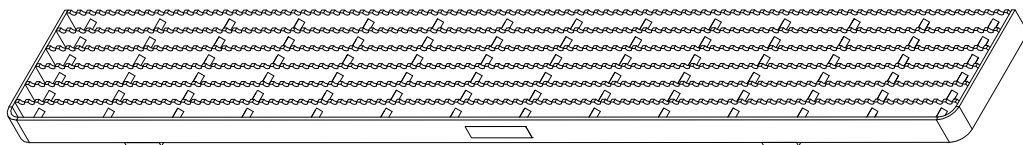
PRO424G

CONTENTS OVERVIEW

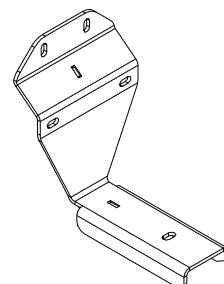
1—Running Board..... (Qty 1)
Right Hand, 54.75"



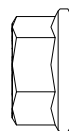
2—Running Board..... (Qty 1)
Left Hand, 54.75"



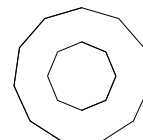
4—Mounting Bracket..... (Qty 4)
Running Board, extended



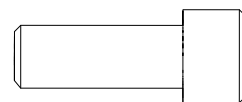
5—Mounting Hardware Kit..... (Qty 2)
Running Board Bracket Hardware Kit



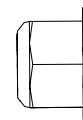
3/8" Locknut (2X)



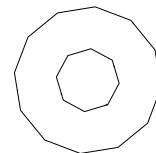
3/8" Flat Washer (2X)



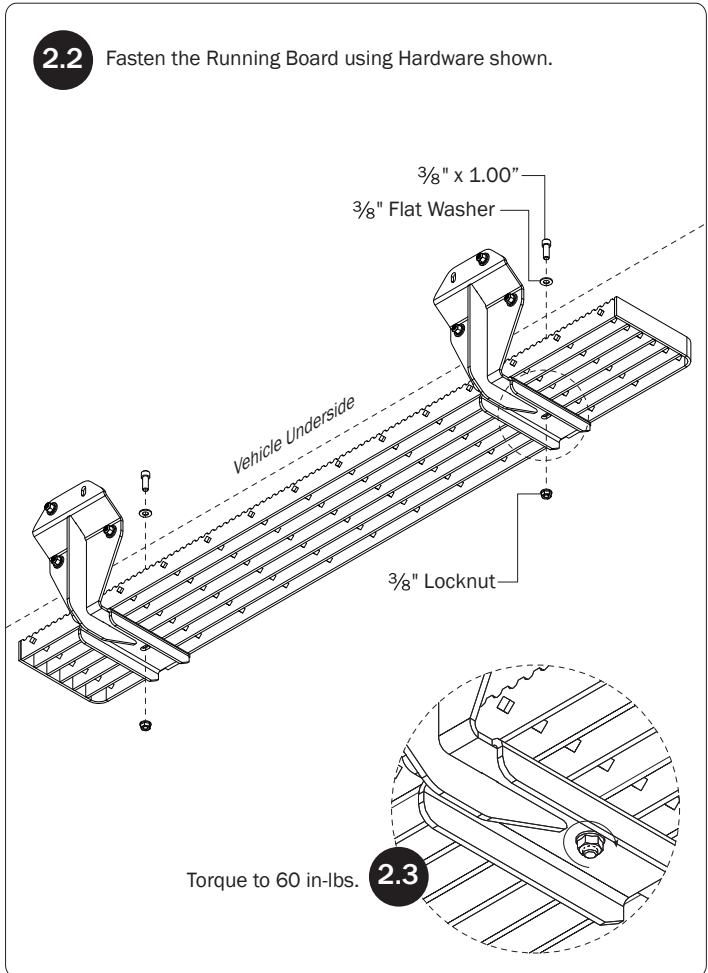
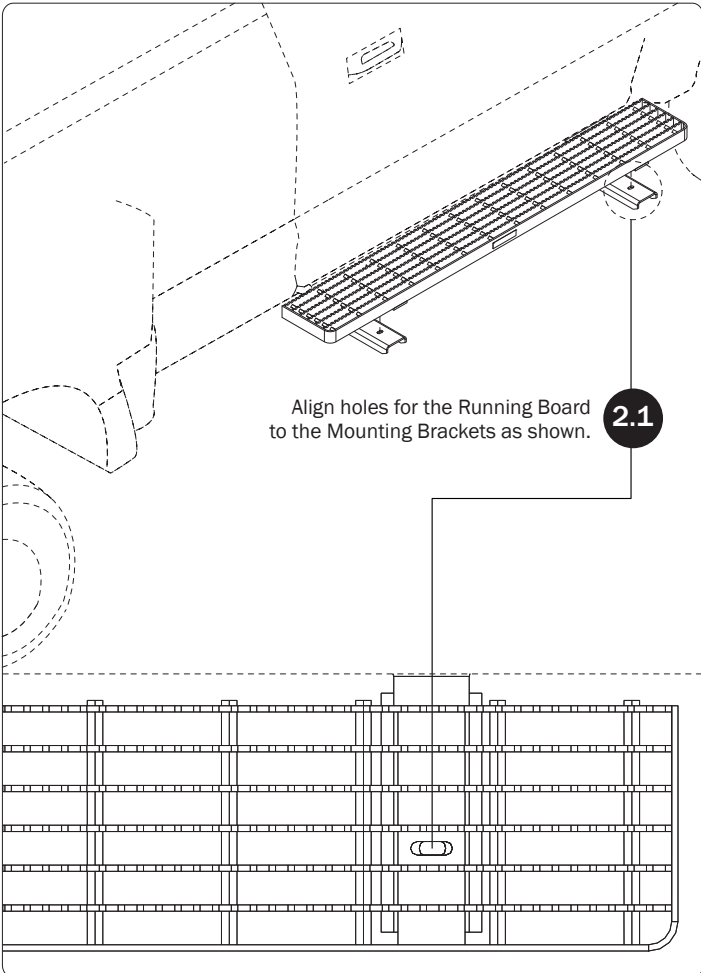
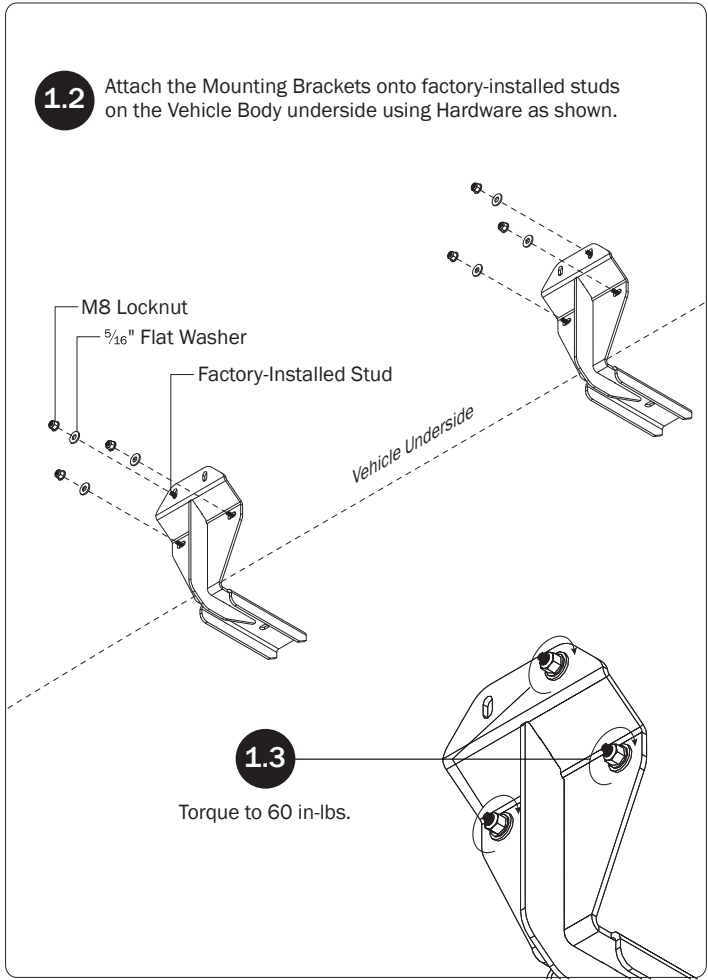
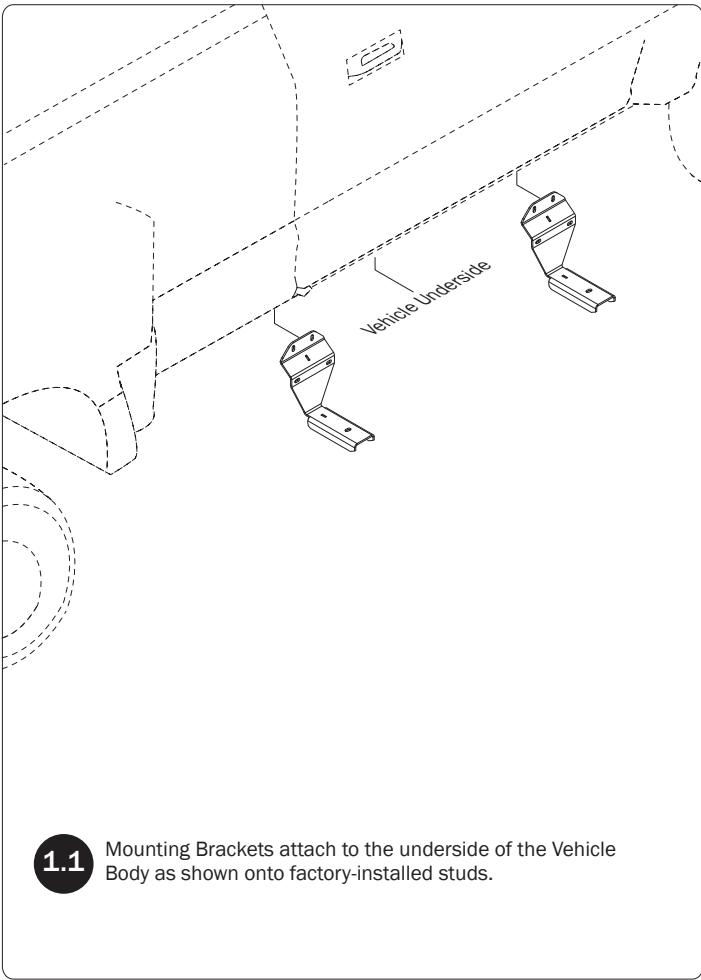
3/8" x 1.00" (2X)



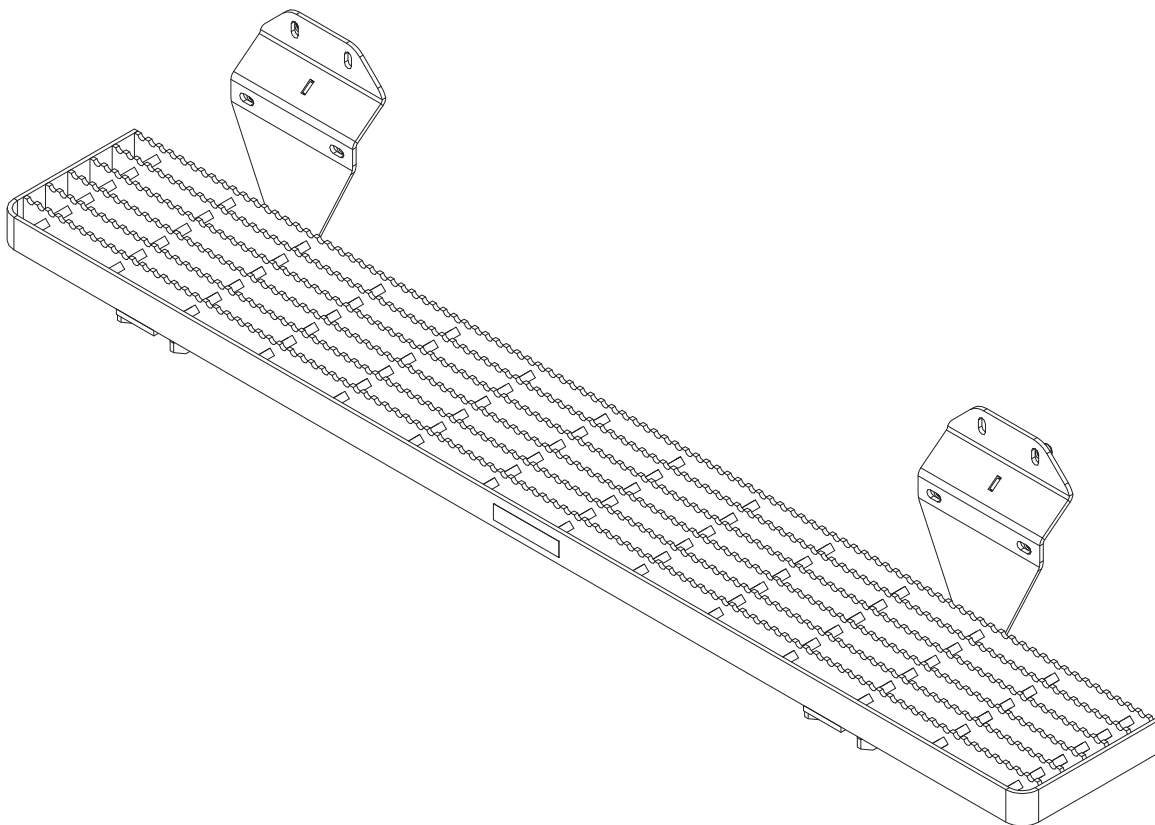
M8 Locknut (6X)



5/16" Flat Washer (6X)



3 Repeat Steps 1-2 for the Left Hand side Running Board.



USAM-R04246-US01 Rev-A 0119