

FBM-1007

Ram ProMaster Base Mount Module

Dimensional Specifications on Pages 2-5

Configuration as shown:

Three Crossbar Mountings, Powder Coat Finish
Kit Weight: 28 lbs

FBM-1007-BLK (Black)

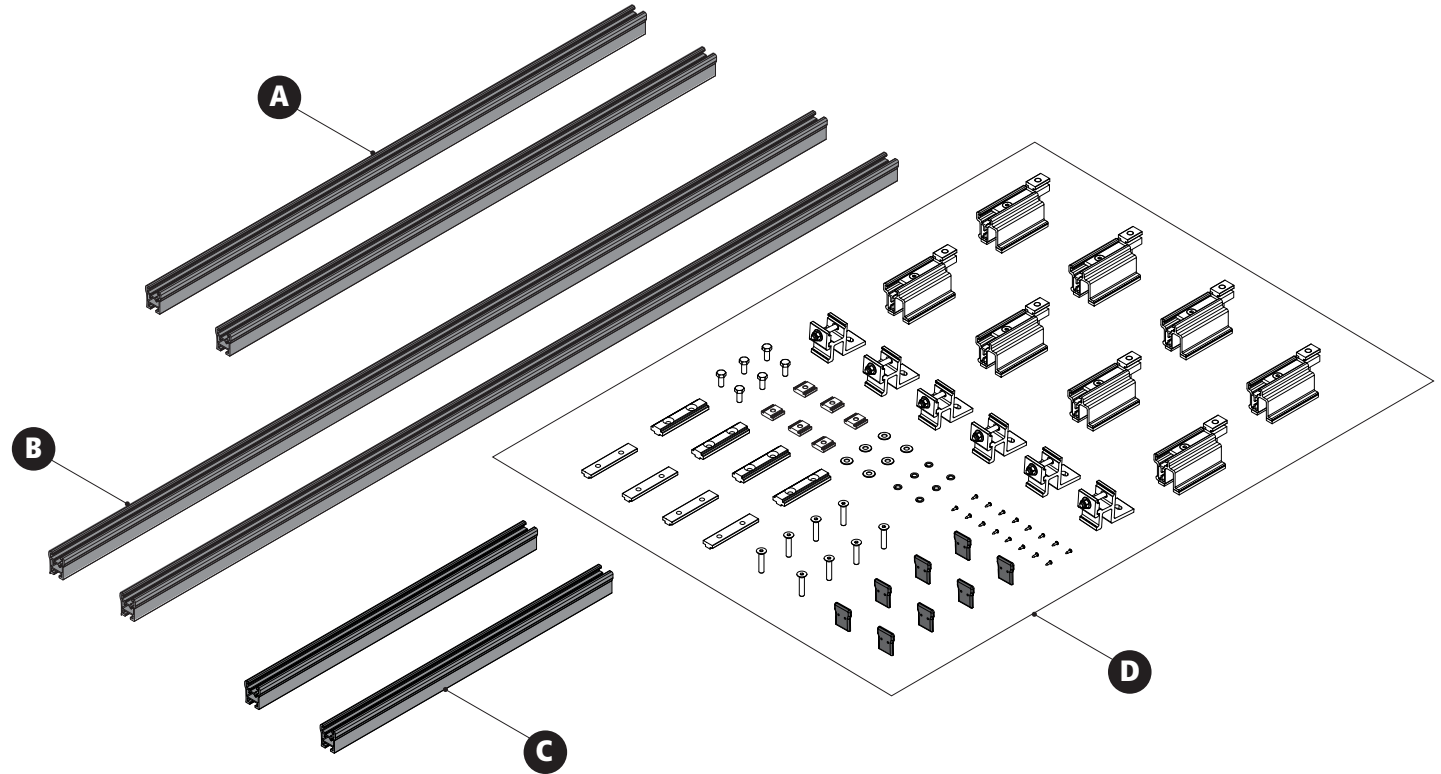
- A:CHL-1042-BLK 42" Channel
- B:.....CHL-1026-BLK 66" Channel
- C: CHL-1067-BLK 24" Mid Splice
- D: HKT-8045 Hardware, 3 Crossbars

FBM-1007 (White)

- A:CHL-1042 42" Channel
- B:.....CHL-1026 66" Channel
- C: CHL-1067 24" Mid Splice
- D: HKT-8045 Hardware, 3 Crossbars

[Modular Assembly Manuals](#)

**Three Crossbar Mountings; Black and White Available*



**Note: This Overview contains information covering two and three Crossbar configurations. If your model is a two Crossbar configuration, disregard all Center Crossbar Hardware and dimensions.*

FBM-1007

Ram ProMaster Base Mount Module

Approximate dimensions as shown:

Universal Dimensions

- A: Rack Length..... 108"
- B: Crossbar Mount Offset (Rear) 10"
- C: Channel Mount Offset (Rear)..... 7"
- D: Mount Spacing R/F (Rear)..... 36.25"
- E: Mount Spacing R/F (Front) 49"

ErgoRack

- F: Maximum Crossbar Spacing 8'
- G: Crossbar Spacing R/C 4'
- H: Crossbar Spacing C/F 4'

AluRack

- F: Maximum Crossbar Spacing 6.0415'
- G: Crossbar Spacing R/C 2.415'
- H: Crossbar Spacing C/F 3.625'

*Not used: CHL-1067-BLK 24" Mid Splice

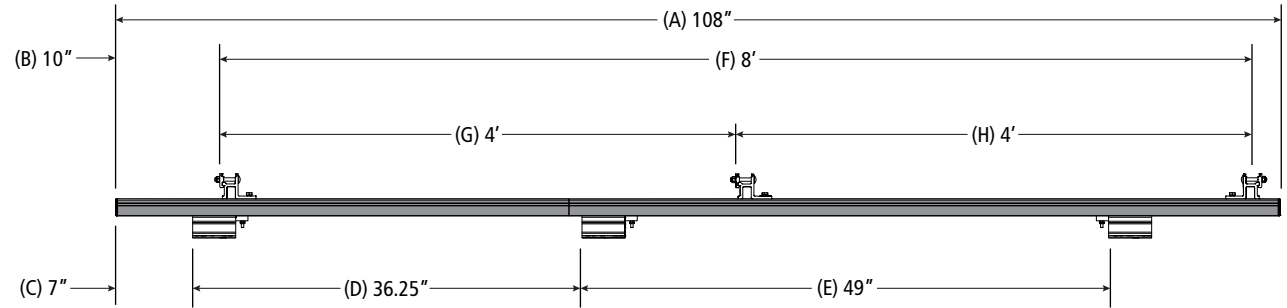
Assembly Manual also available:

[FBM-1007-BLK](#)
[FBM-1007](#)

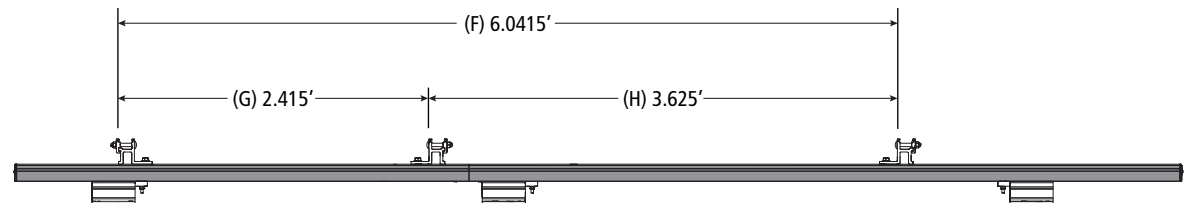
USOV-FBM1007-US01 Rev-A 0720



*ErgoRack



*AluRack



FBM-1007

Ram ProMaster Base Mount Module

Approximate dimensions as shown:

Universal Dimensions

- A: Rack Length 108"
- B: Crossbar Mount Offset (Rear) 7.75"
- C: Channel Mount Offset (Rear) 0.50"
- D: Mount Spacing R/F (Rear) 47"
- E: Mount Spacing R/F (Front) 55.67"

ErgoRack

- F: Maximum Crossbar Spacing 8'
- G: Crossbar Spacing R/C 4'
- H: Crossbar Spacing C/F 4'

AluRack L2H1

- F: Maximum Crossbar Spacing 7.70'
- G: Crossbar Spacing R/C 4.625'
- H: Crossbar Spacing C/F 3.075'

AluRack L2H2

- F: Maximum Crossbar Spacing 6.65'
- G: Crossbar Spacing R/C 2.65'
- H: Crossbar Spacing C/F 4'

*Not used: CHL-1067-BLK 24" Mid Splice

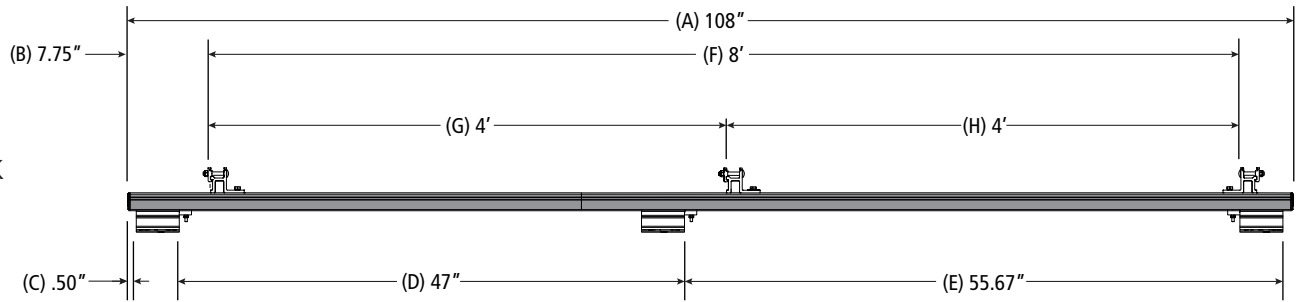
Assembly Manual also available:

[FBM-1007-BLK](#)
[FBM-1007](#)

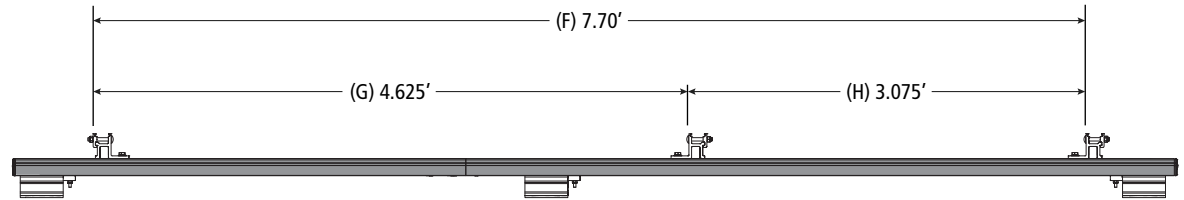
*Dimensions shown for MWB models (136")



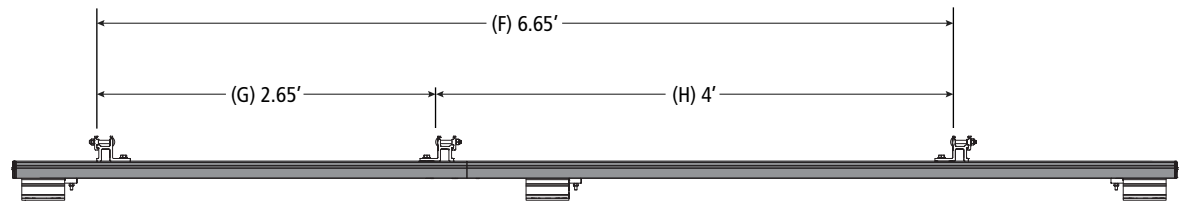
*ErgoRack



*AluRack
L2H1



*AluRack
L2H2



FBM-1007

Ram ProMaster Base Mount Module

Approximate dimensions as shown:

Universal Dimensions

A: Rack Length.....	132"
B: Crossbar Mount Offset (Rear)	7.18"
C: Mount Spacing R/F (Rear).....	41.93"
D: Mount Spacing R/F (Mid).....	28.11"
E: Mount Spacing R/F (Front)	55.67"

ErgoRack

C: Maximum Crossbar Spacing	8'
D: Crossbar Spacing R/C	4'
E: Crossbar Spacing C/F.....	4'

AluRack

C: Maximum Crossbar Spacing	8.35'
D: Crossbar Spacing R/C	3.35'
E: Crossbar Spacing C/F.....	5'

Assembly Manual also available:

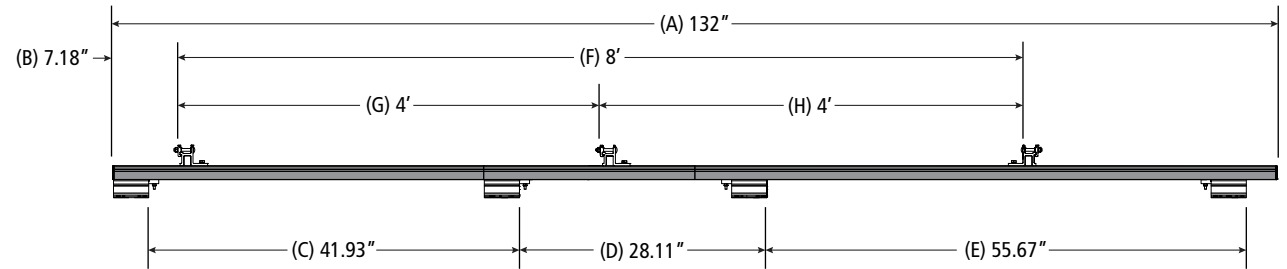
[FBM-1007-BLK](#)

[FBM-1007](#)

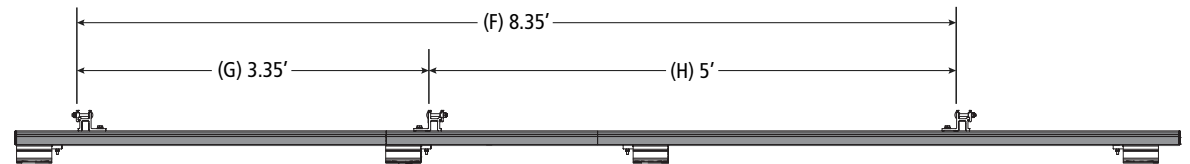
USOV-FBM1007-US01 Rev-A 0720



*ErgoRack



*AluRack



FBM-1007

Ram ProMaster Base Mount Module

Approximate dimensions as shown:

Universal Dimensions

- A: Rack Length 148"
- B: Crossbar Mount Offset (Rear) 7.75"
- C: Channel Mount Offset (Rear) 0.50"
- D: Mount Spacing R/F (Rear) 56.30"
- E: Mount Spacing R/F (Mid) 28.11"
- F: Mount Spacing R/F (Front) 55.67"

ErgoRack

- G: Maximum Crossbar Spacing 8'
- H: Crossbar Spacing R/C 4'
- I: Crossbar Spacing C/F 4'

AluRack

- G: Maximum Crossbar Spacing 8.55'
- H: Crossbar Spacing R/C 4.40'
- I: Crossbar Spacing C/F 4.15'

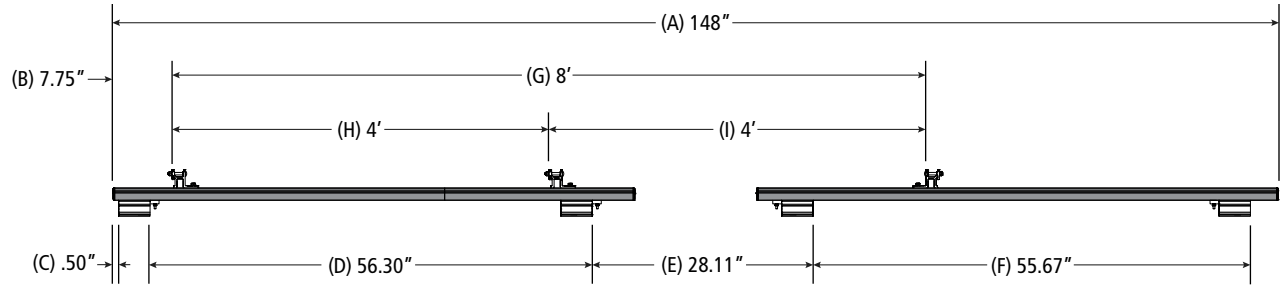
Assembly Manual also available:

[FBM-1007-BLK](#)
[FBM-1007](#)

*Dimensions shown for LWB-EL models (159"+)



*ErgoRack



*AluRack

