

# PRIME DESIGN™

A Safe Fleet Brand

## AR-2107

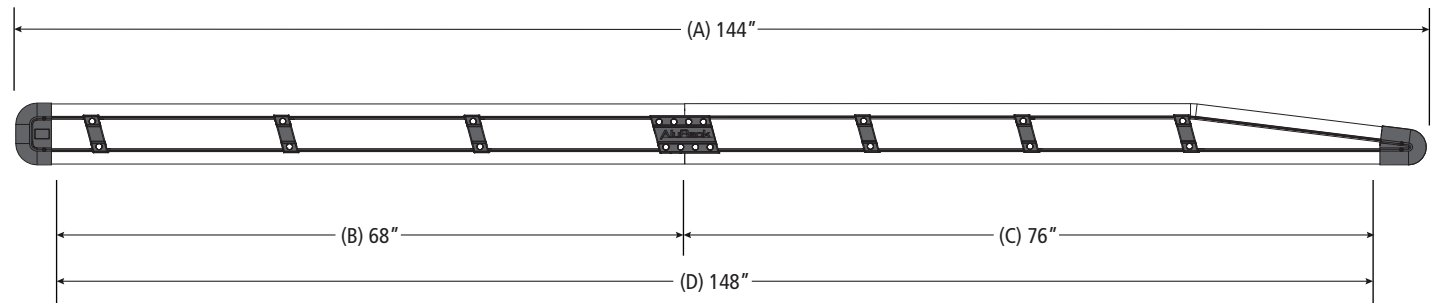
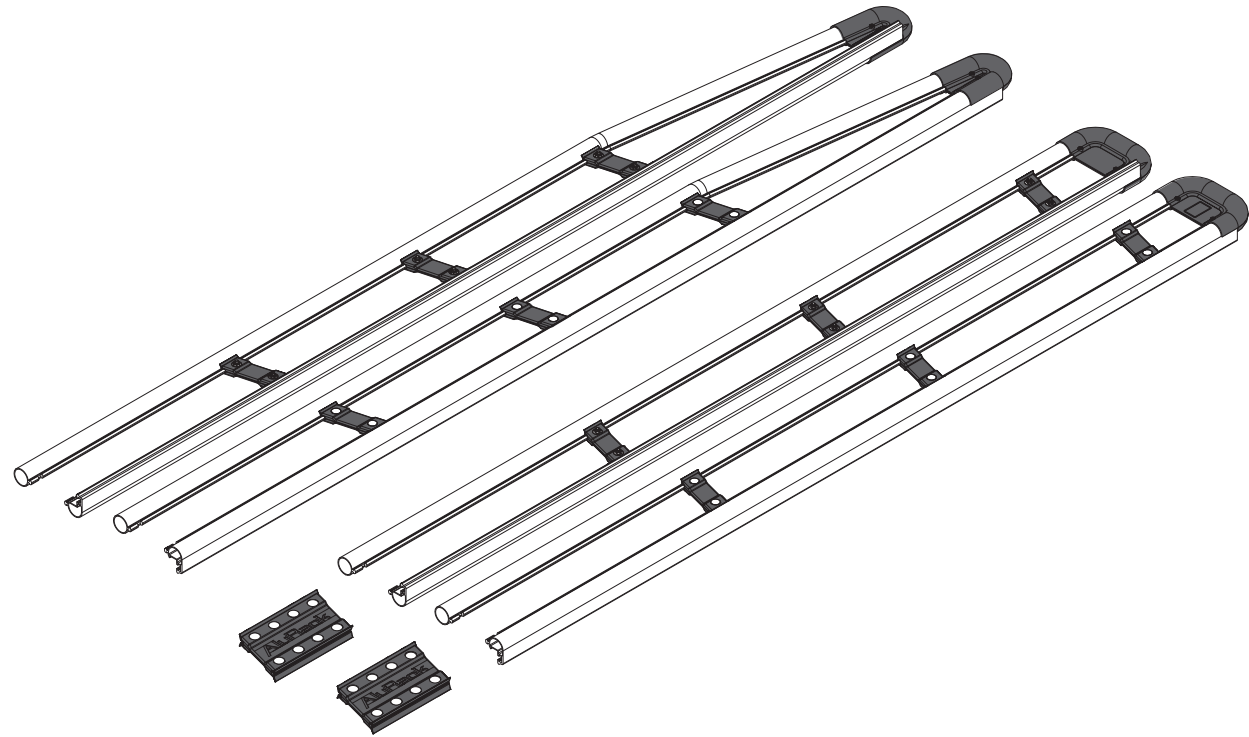
### AluRack Side Rail Module, 144" Pair

*Configuration as shown:*

- Front Left Hand Rail, 76"
- Front Right Hand Rail, 76"
- Rear Left Hand Rail, 68"
- Rear Right Hand Rail, 68"
- Left/Right Hand Connectors, 6"
- Connector Hardware
- Finish: Anodized Aluminum
- Weight: 29 lbs

*Approximate dimensions as shown:*

- A: Overall Length..... 148"
- B: BTM Rail Length, Rear ..... 68"
- C: BTM Rail Length, Front..... 76"
- D: Overall BTM Length..... 144"



*Assembly Manual also available:*

## AR-2107

USOV-AR2107-US01 Rev-A 0219