

AR-2106

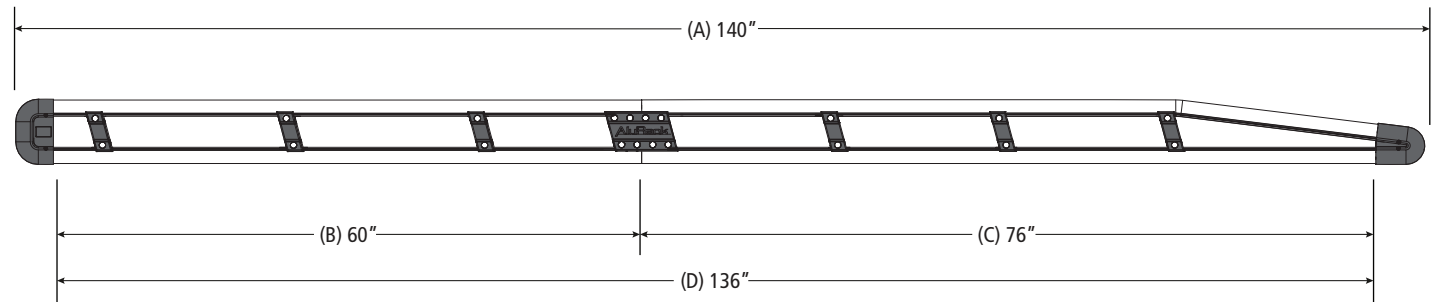
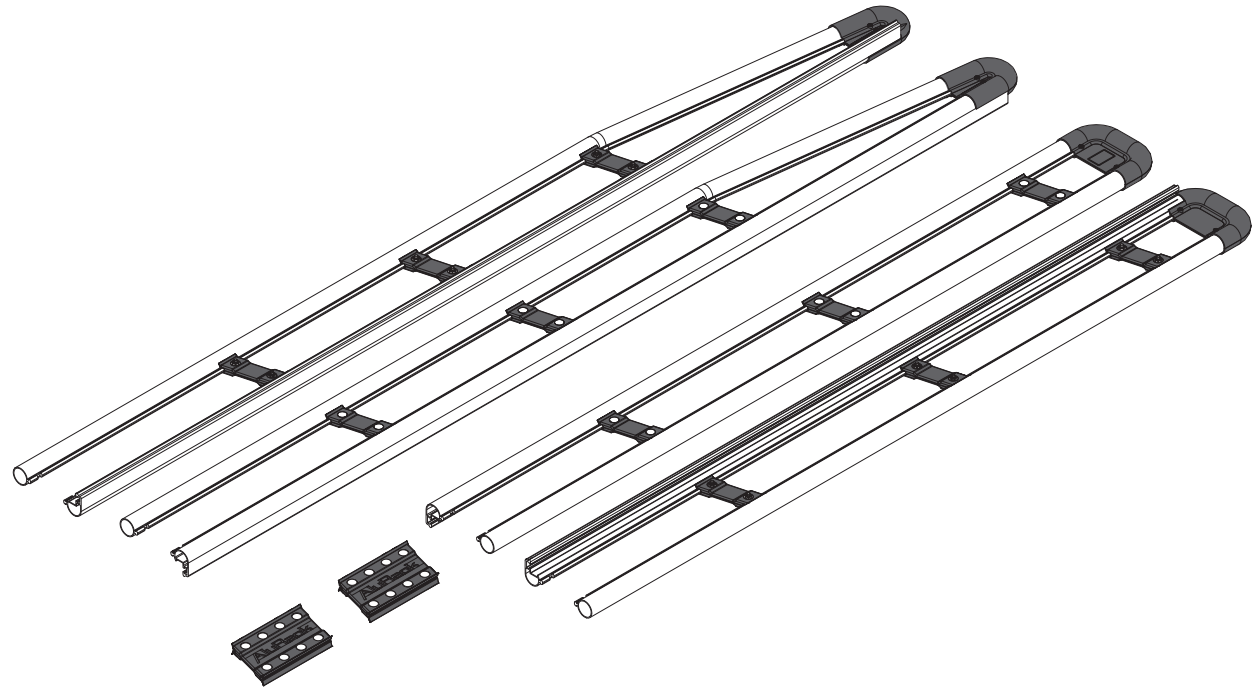
AluRack Side Rail Module, 136" Pair

Configuration as shown:

- Front Left Hand Rail, 76"
- Front Right Hand Rail, 76"
- Rear Left Hand Rail, 60"
- Rear Right Hand Rail, 60"
- Left/Right Hand Connectors, 6"
- Connector Hardware
- Finish: Anodized Aluminum
- Weight: 27.75 lbs

Approximate dimensions as shown:

- A: Overall Length..... 140"
- B: BTM Rail Length, Rear 60"
- C: BTM Rail Length, Front..... 76"
- D: Overall BTM Length..... 136"



Assembly Manual also available:

AR-2106

USOV-AR2106-US01 Rev-A 0219