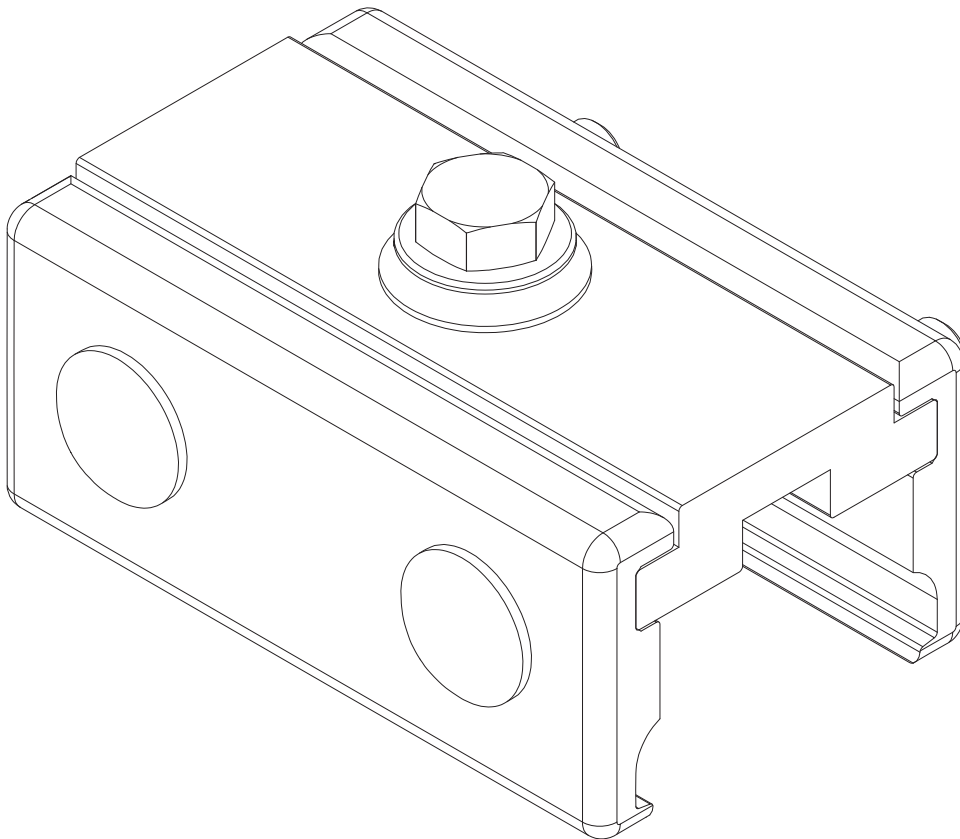


**PRIME DESIGN™**

A Safe Fleet Brand



*WORKPRO LIGHT MOUNT  
(ABOVE CROSSBAR)*

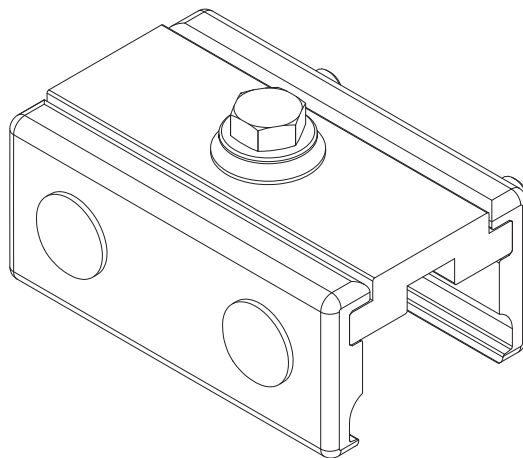
PRIME DESIGN, A SAFE FLEET BRAND • Address: 1689 Oakdale Avenue #102, West St Paul, Minnesota 55118  
Toll Free: 1.8.PRIME.RACK • Fax: 651-552-1799 • Email: info@primedesign.net • Website: www.primedesign.net

**ASH 8035**

**CONTENTS OVERVIEW**



NOTE: The Gen4 HBR Rack and WorkPro LED Light shown in this Manual are for illustrative purposes only, and are not included in this Kit.



**ASH-8035 PACKAGING CONTENTS**

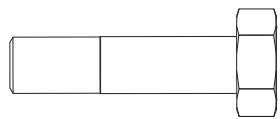
ASH-8035 WorkPro Light Mount, Below Crossbar



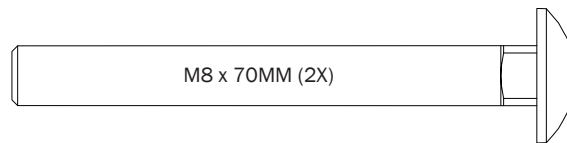
Top Connector (1X)



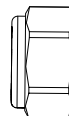
Clamp Connector Pair (1X)



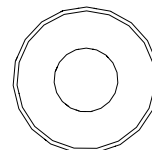
M8 x 25 MM (1X)



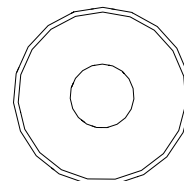
M8 x 70MM (2X)



M8 Lock Nut (3X)

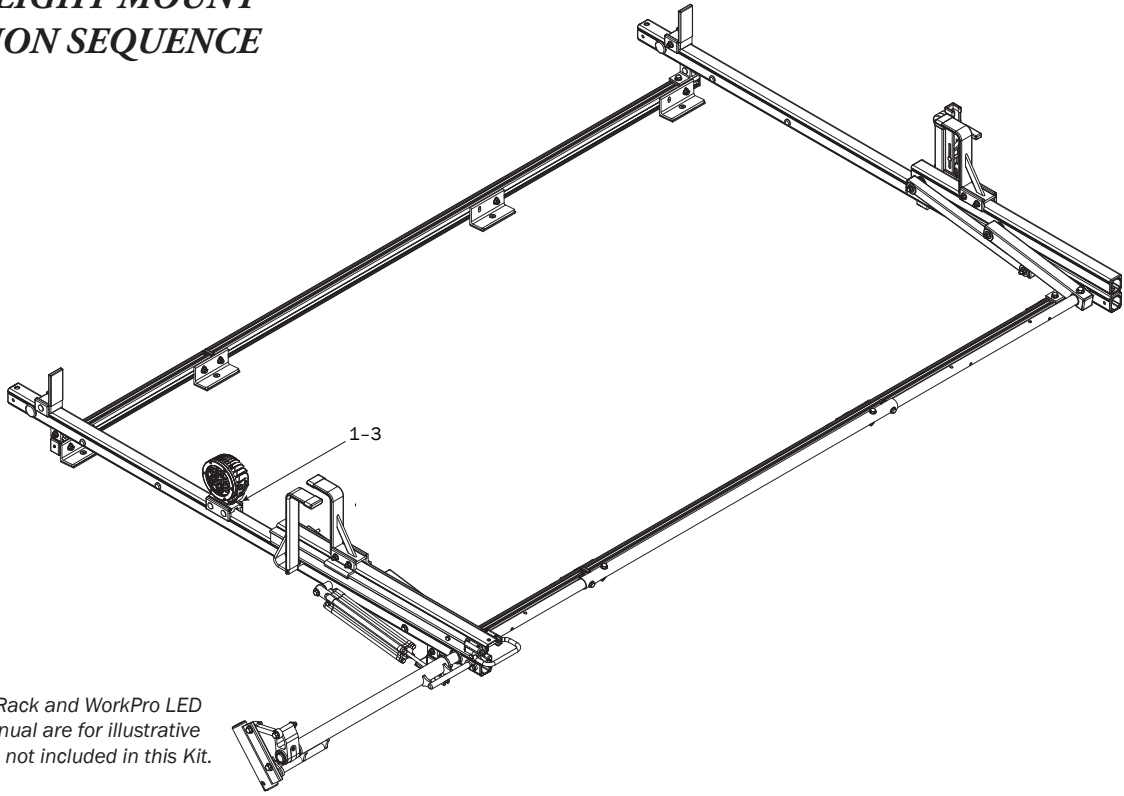


5/16" Flat Washer (3X)



Nylon Washer (1X)

# WORKPRO LIGHT MOUNT INSTALLATION SEQUENCE

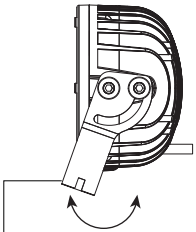


**NOTE:** The Gen4 HBR Rack and WorkPro LED Light shown in this Manual are for illustrative purposes only, and are not included in this Kit.

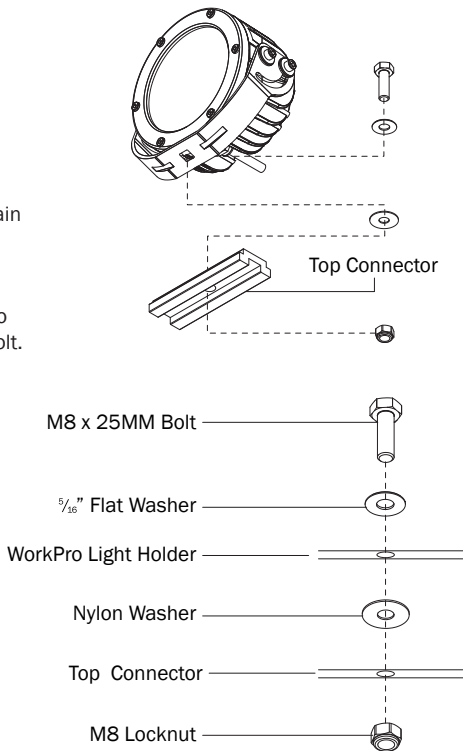
This Light Mount Kit contains only the parts needed to repair, replace, or retrofit one Light Mount. Order an additional kit for the other to add an additional accessory light.

## TOP CONNECTOR

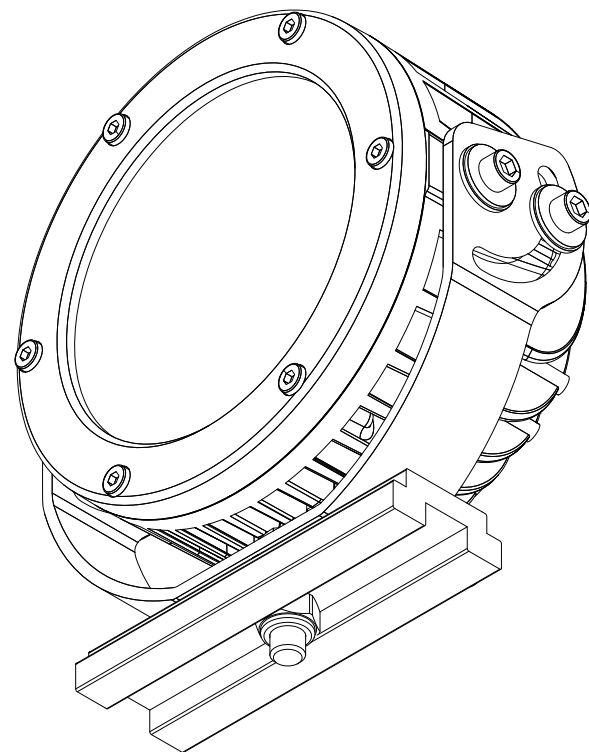
**1.1** Attach the Top Connector to the light holder as shown below and torque to 90 in-lbs.



**NOTE:** With certain WorPro models, you may have to move the light holder in order to install the M8 Bolt. (Remove any existing bolt hardware from the center hole)



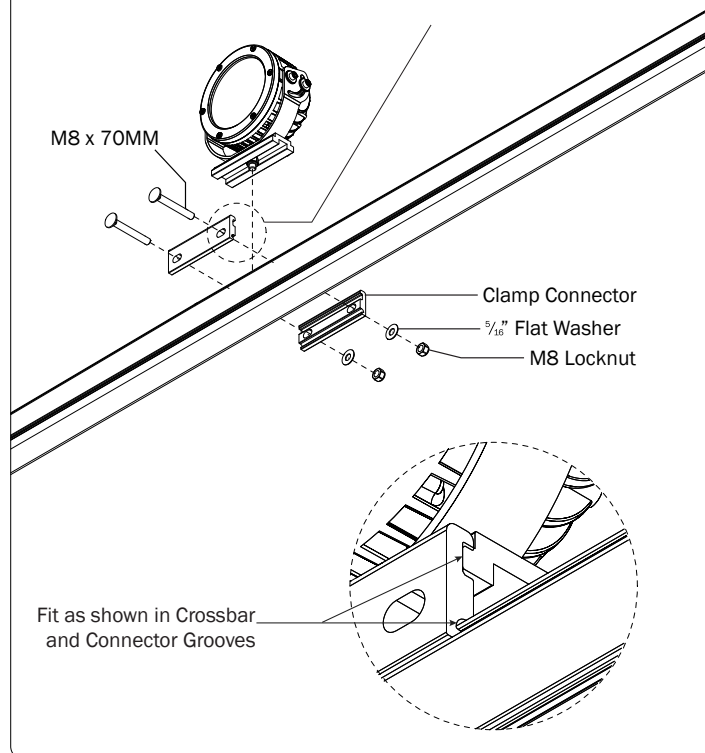
**1.2** Torque Top Connector Hardware to 90 in-lbs



**MOUNTING LIGHT TO CROSSBAR**

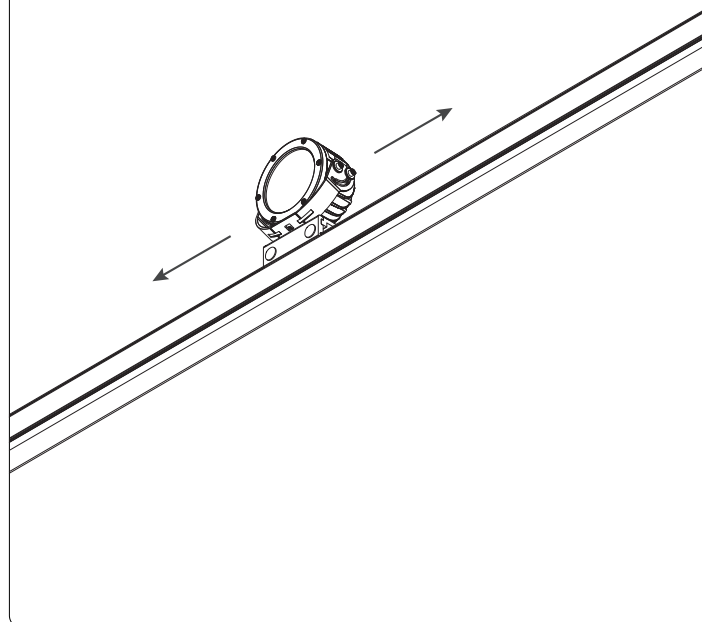
- 2** Install the WorkPro Light with the attached Top Connector onto the Crossbar and Clamp Connectors using the hardware shown.

Finger-tighten only until step 3.2.

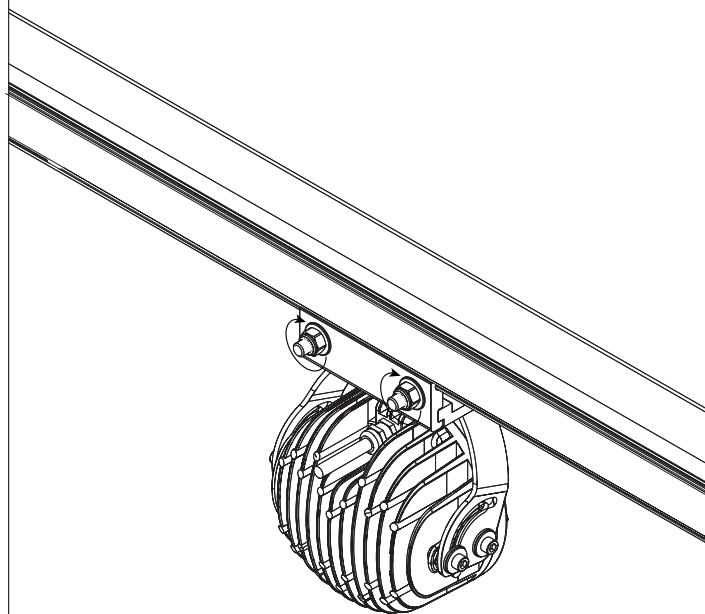
**ADJUSTMENTS**

- 3.1** Adjust to desired positioning.

NOTE: If installing more than one WorkPro Light and Mount, repeat Steps 1-2 and position as needed.

**CONTENTS OVERVIEW**

- 3.2** Torque Clamp Hardware to 90 in-lbs.



USAM-ASH8035-US01 Rev-A 0219