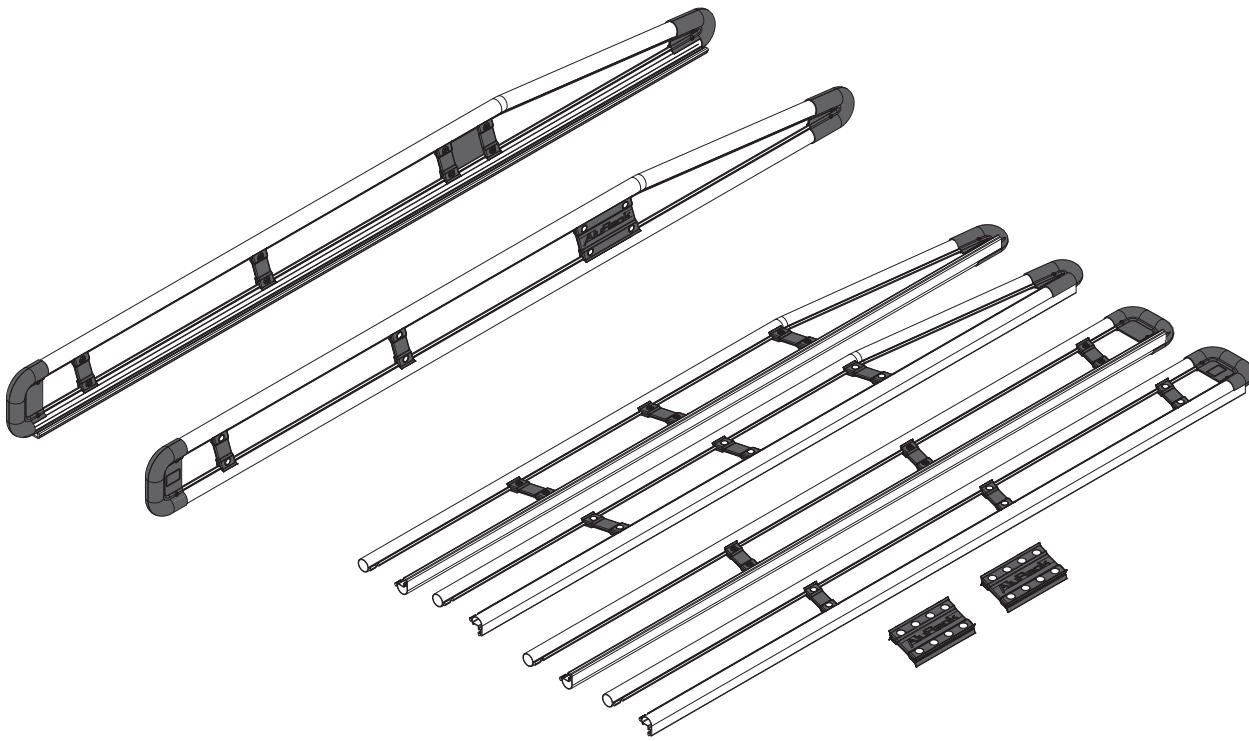


# PRIME DESIGN™

A Safe Fleet Brand



# AR-2100 SERIES

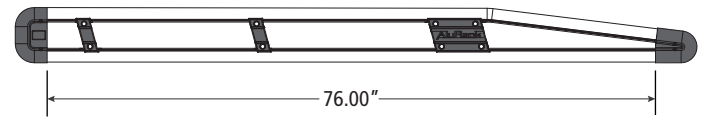
## AR-2100-AR-2108 Side Rail Pairs

Page 2-3      Packaging Contents and Configurations  
Page 4        Side Rail Assembly

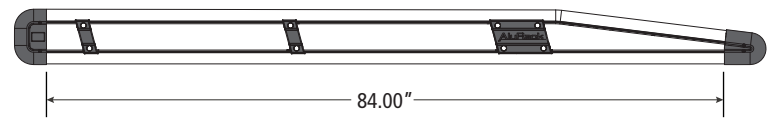
## CONTENT OVERVIEWS

NOTE: Solid Side Rail pairs are packaged fully assembled. Split Side Rail pairs are packaged with Front Left/Right Side Rails, Rear Left/Right Side Rails, and Left/Right Rail Connectors, and require assembly. See Page 4 for Assembly Instructions.

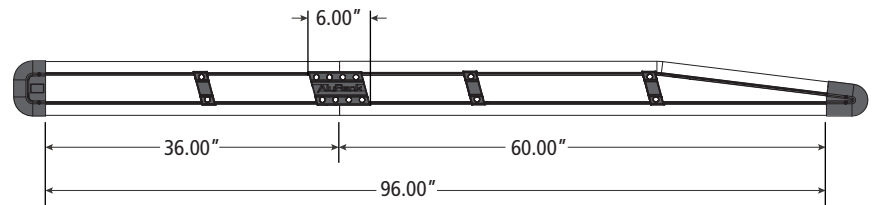
AR-2100-76" Side Rail Assembly-Solid Pair



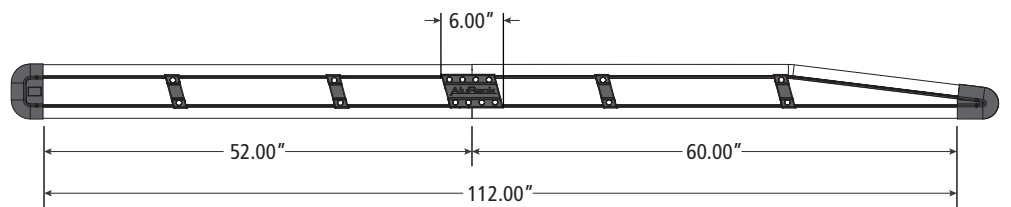
AR-2101-84" Side Rail Assembly-Solid Pair



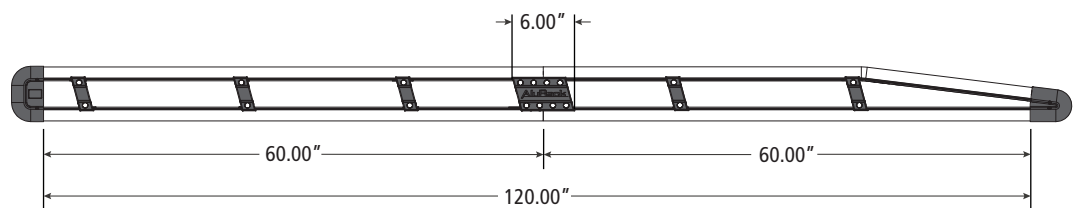
AR-2102-96" Side Rail Assembly, Split Pair with 6" Side Rail Connectors



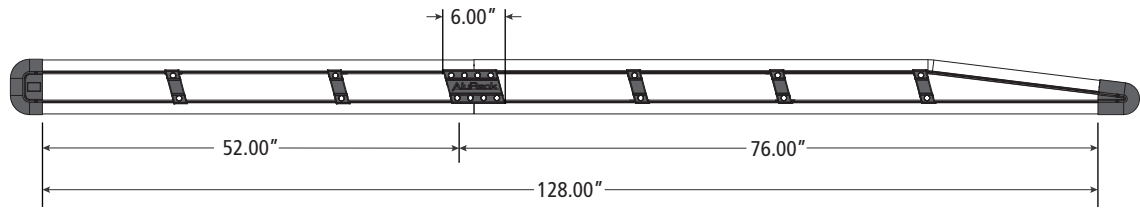
AR-2103-112" Side Rail Assembly, Split Pair with 6" Side Rail Connectors



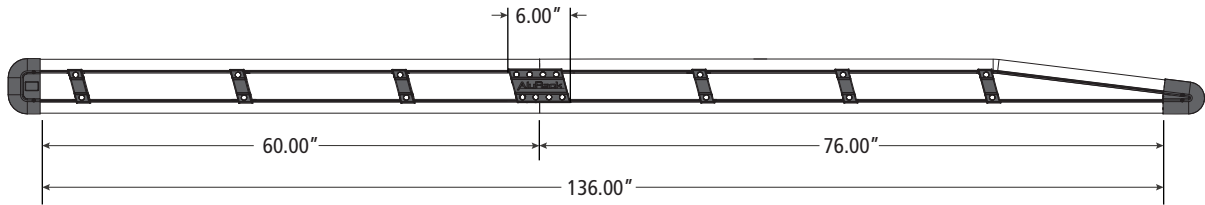
AR-2104-120" Side Rail Assembly, Split Pair with 6" Side Rail Connectors



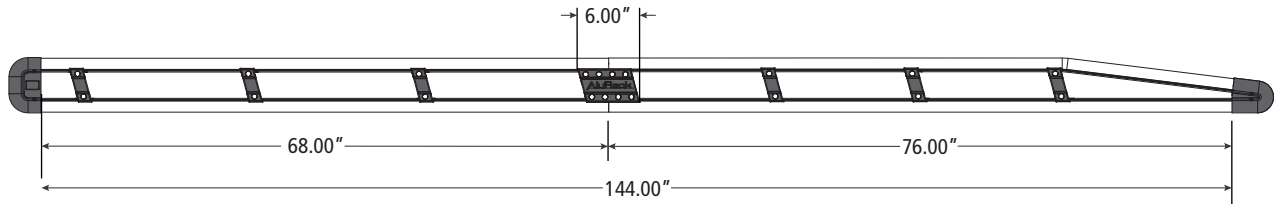
AR-2105-128" Side Rail Assembly, Split Pair with 6" Side Rail Connectors



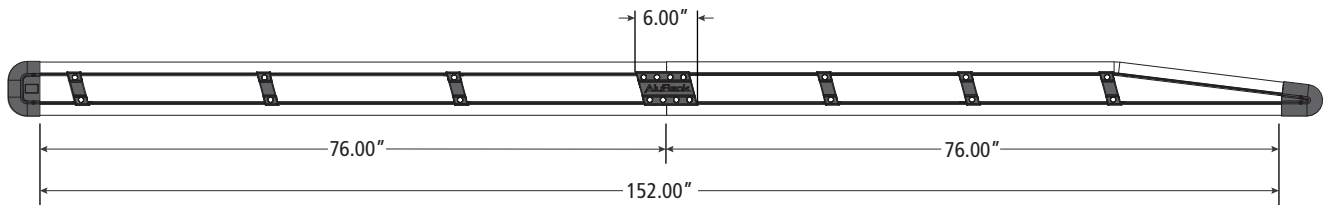
AR-2106-136" Side Rail Assembly, Split Pair with 6" Side Rail Connectors



AR-2107-144" Side Rail Assembly, Split Pair with 6" Side Rail Connectors



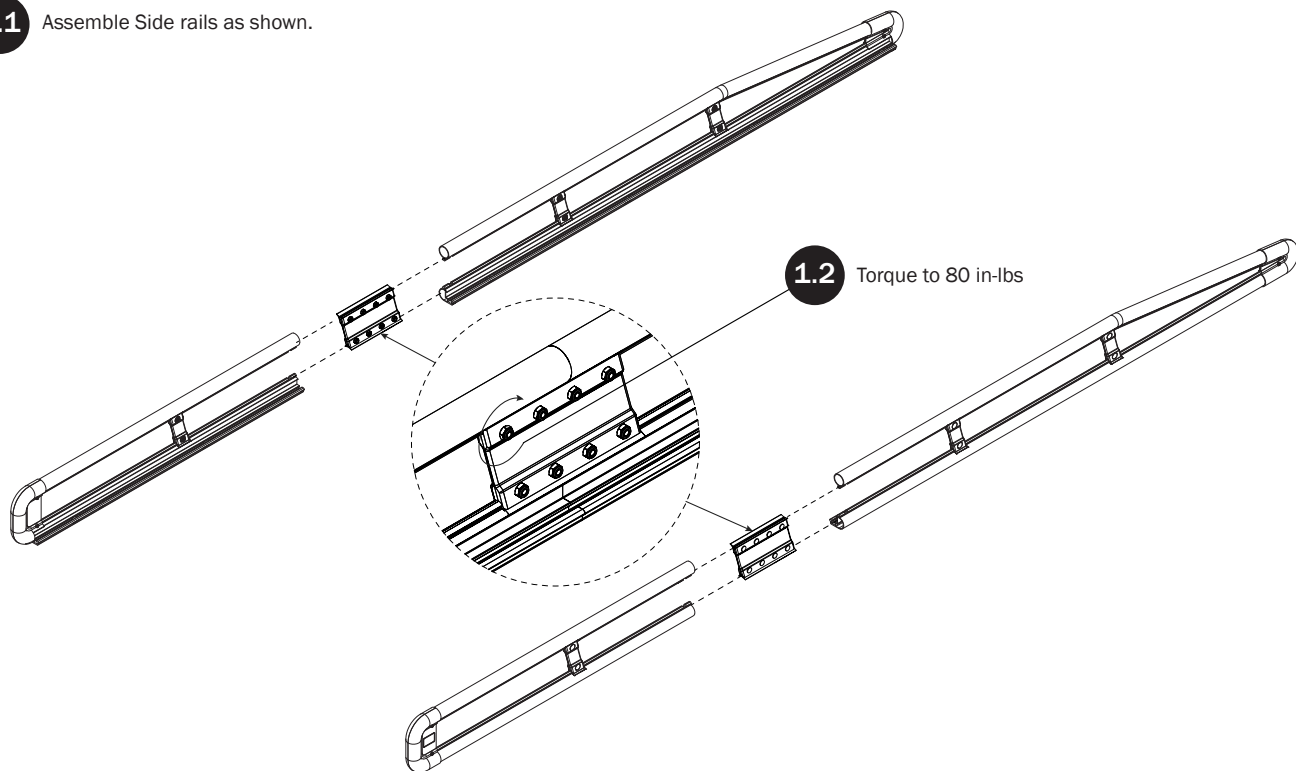
AR-2108-152" Side Rail Assembly, Split Pair with 6" Side Rail Connectors



**SIDE RAIL ASSEMBLY—SPLIT RAIL PAIRS ONLY**

NOTE: No assembly needed for AR-2100 and AR-2101 (Solid Pair Assemblies).

- 1.1** Assemble Side rails as shown.



USAM-AR2100SERIES-US01 Rev-A 0319



To install Crossbars and Roller, refer to your respective AR Crossbar Module Assembly Manual included with your chosen rack configuration features.

**INSTALLER NOTE:** To purchase applicable features and accessories, please contact your authorized distributor, or a Prime Design Sales & Service Representative.