

ACC-8000

Ratchet Strap Assembly

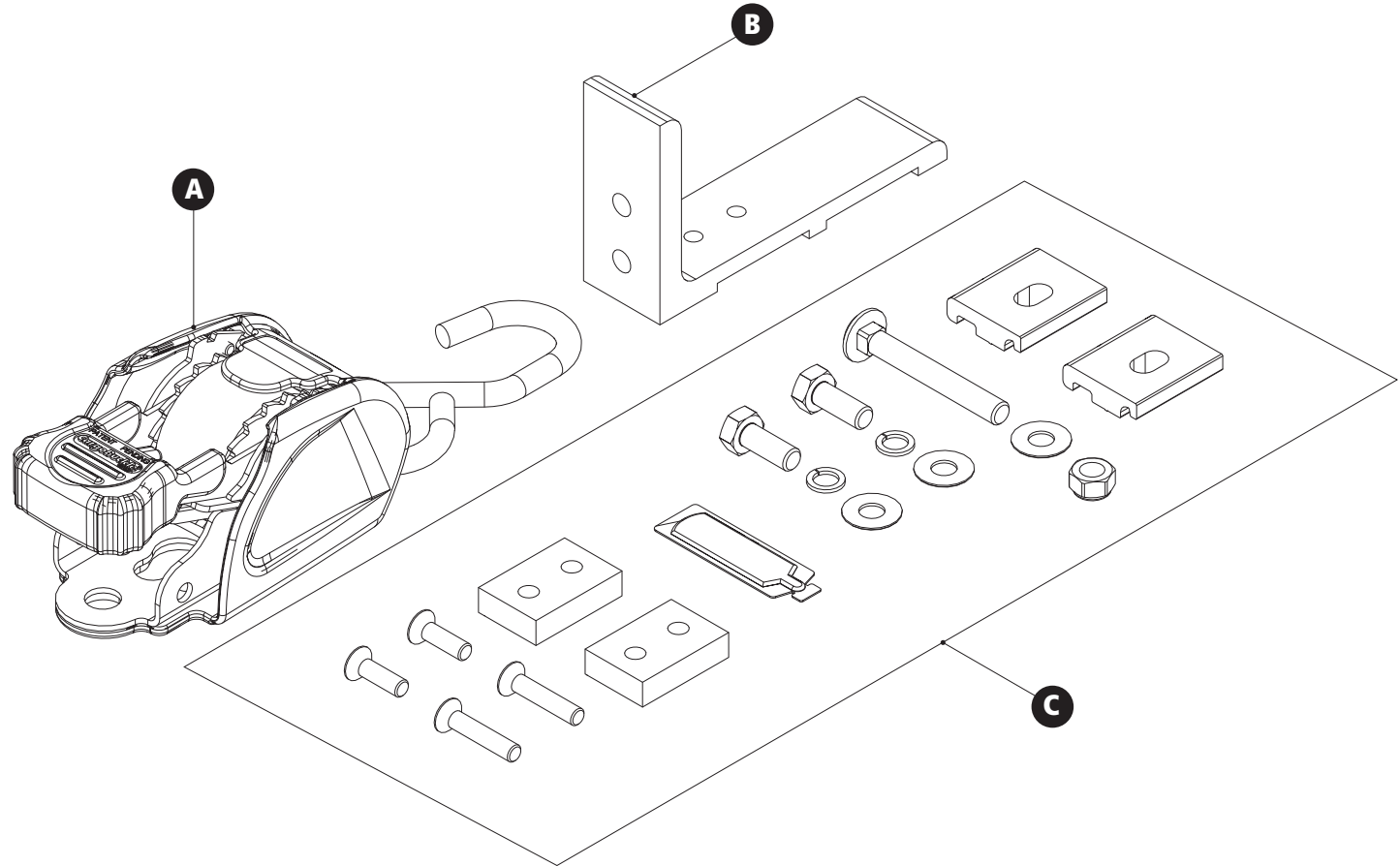
Configuration as shown:

Weight (empty): 1.50 lbs

*Callouts in this Overview indicate assemblies and kits.

- A:ACC-0012 Ratchet Strap
- B:ACC-1006 Mounting Base
- C: HKT-8193 Mounting Hardware

[Assembly Manual](#)



Load specifications:

Strap Material: Seat belt quality, polyester web

Strap Width: 1"

Strap Length: 72"

Break Strength: 1,400 lbs./ea

Safe Working Load: 466 lbs./ea

USOV-ACC8000-US01 Rev-A 0719

ACC-8000

Ratchet Strap Assembly

Variations as shown:

A: ErgoRack Base Configuration

B: AluRack Light Duty Crossbar Configuration

C: AluRack Heavy Duty Crossbar Configuration

Compatible Racks Available

(Sold Separately)

[ErgoRack](#) (Racks including a Base configuration)

[AluRack](#)

