

VBB3-PC11-HM

ErgoRack, Promaster City

Three Crossbars, Powder Coat Finish
Rack Weight (empty): 36 lbs

*Callouts in this Configuration Overview indicate full module assemblies only.

For details on individual parts, please refer to the linked Module Overviews below.

A: [FBM-1013-BLK Mounting System](#)

B: [CBA-3001 Hybrid Crossbar Assembly](#)

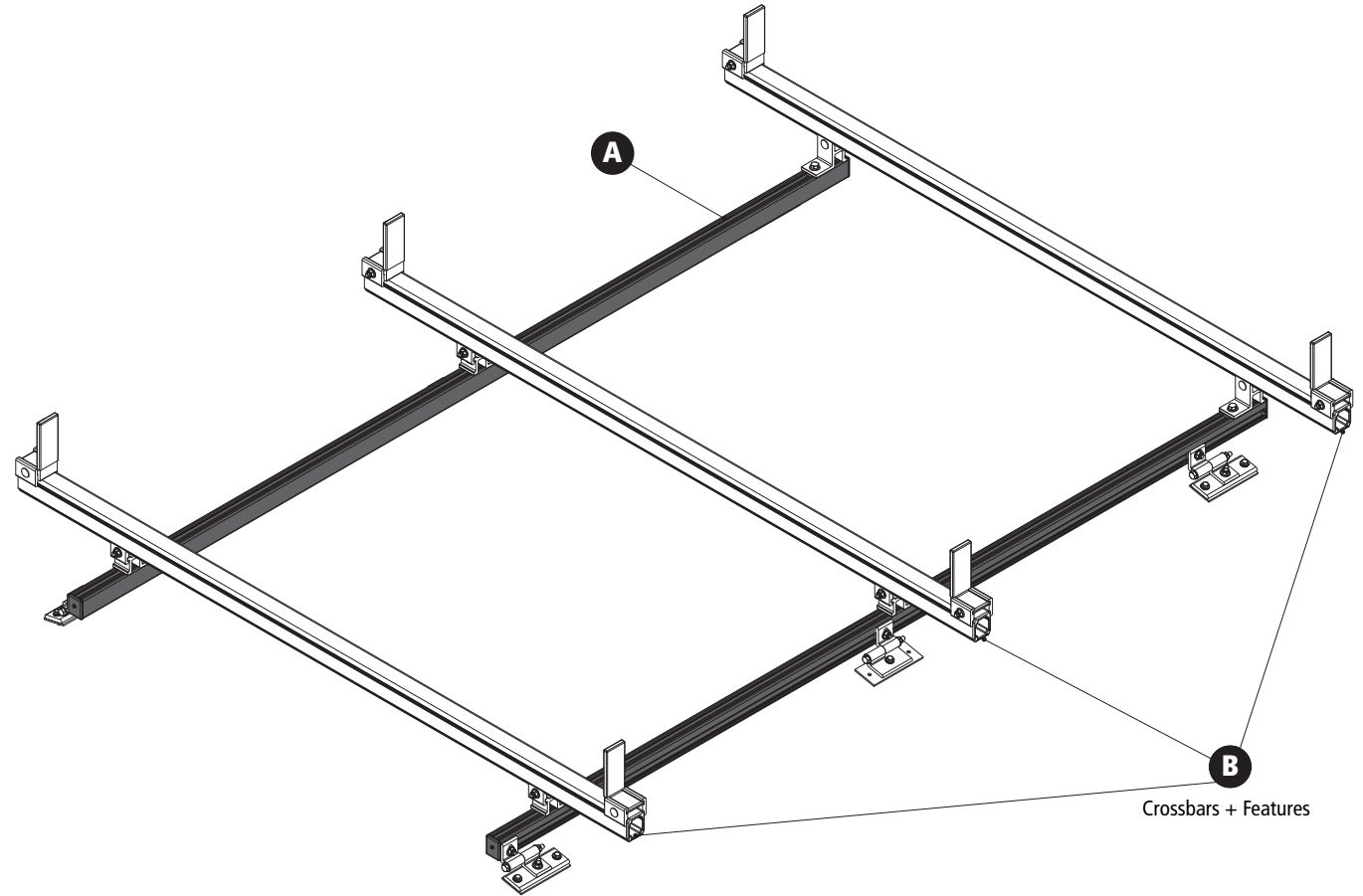
[Modular Assembly Manuals](#)

ErgoRack Van—Load specifications:

Check vehicle manufacturer recommendations for roof capacity weight limits.

CROSSBAR SPACING	STEP LADDER	EXT. LADDER
4 ft Spacing	6 – 8 ft.	16 – 20 ft.
5 ft Spacing	8 – 10 ft.	16 – 24 ft.
6 ft Spacing	8 – 12 ft. [†]	16 – 28 ft.
7 ft Spacing	10 – 12 ft. [†]	20 – 32 ft.
8 ft Spacing	10 – 12 ft. [†]	20 – 36 ft.

[†]Rotation Configurations: 12 ft. step ladders require an extended upper add-on component.



VBB3-PC11-HM

ErgoRack, Promaster City

Approximate dimensions as shown:

- A: Rack Width 62"
- B: Rack Height 13"
- C: Rear Crossbar Offset (L&R) Even
- D: Mount Spacing L/R..... Set at install
- E: Crossbar Spacing (rear to center) 2'-4'
- F: Crossbar Spacing (center to front) 2'-4'
- G: Total Crossbar Spacing 4'-6'
- H: Rack Length 78"

Compatible Accessories Available

(Sold Separately)

- Retractable Ratchet Tie-Down [ACC-8000](#)
- Rear Access Ladder..... [AAL Series](#)
- 8'-12' Conduit Carriers..... [CON Series](#)
- WorkPro LED Lighting..... [LED Series](#)
- Systems and Safety Components [RVS Series](#)
- Safety monitoring..... [DS2 Series](#)

