

## HRR-E-PM-HM

### ErgoRack, Promaster Low/High Roof

Two Crossbars, Powder Coat Finish  
Rack Weight (empty): 134 lbs

\*Callouts in this Configuration Overview indicate full module assemblies only.

For details on individual parts, please refer to the linked Module Overviews below.

- A: ..... [FBM-1007-BLK Mounting System](#)
- B: ..... [CBA-3008 Hybrid Crossbar Assembly](#)
- C: ..... [FEA-0019 Rotation Driveshaft Assembly](#)
- D: ..... [FEA-0020 Rotation Driveshaft Assembly](#)

[Modular Assembly Manuals](#)

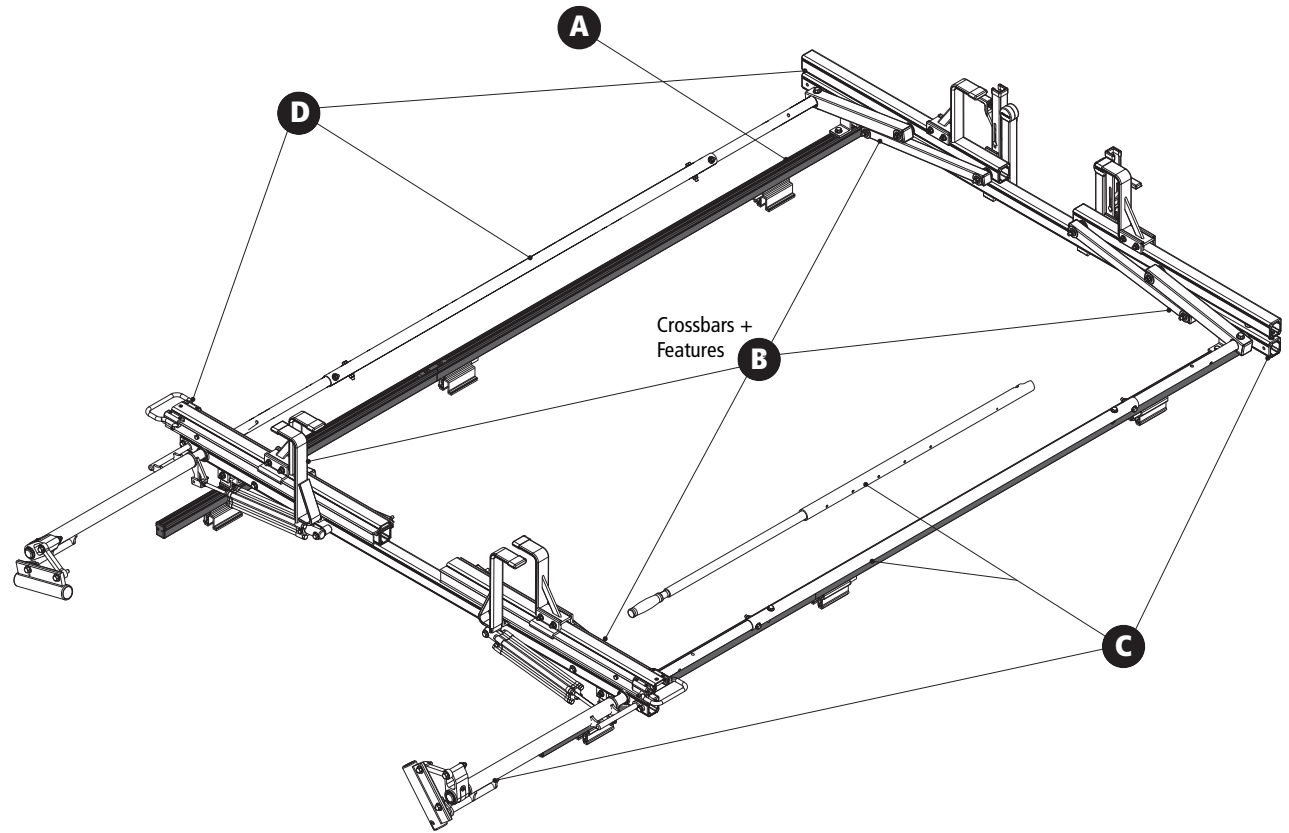
### ErgoRack Van—Load specifications:

Check vehicle manufacturer recommendations for roof capacity weight limits.

CROSSBAR SPACING	STEP LADDER	EXT. LADDER
4 ft Spacing	6 – 8 ft.	16 – 20 ft.
5 ft Spacing	8 – 10 ft.	16 – 24 ft.
6 ft Spacing	8 – 12 ft. <sup>†</sup>	16 – 28 ft.
7 ft Spacing	10 – 12 ft. <sup>†</sup>	20 – 32 ft.
8 ft Spacing	10 – 12 ft. <sup>†</sup>	20 – 36 ft.

<sup>†</sup>Rotation Configurations: 12 ft. step ladders require an extended upper add-on component.

\*Example shown with 118" Wheelbase Configuration



## HRR-E-PM-HM

### ErgoRack, Promaster Low/High Roof

Approximate dimensions as shown:

#### All Wheelbases

- A: Rack Width ..... 79"
- B: Rack Height ..... 18.50"
- C: Rear Crossbar Offset (L & R) ..... Even
- D: Mount Bolt Spacing L/R..... Set at install

#### 118" Wheelbase, Low Roof

- E: Total Crossbar Spacing..... 6'-8'
- F: Rack Length ..... 113"

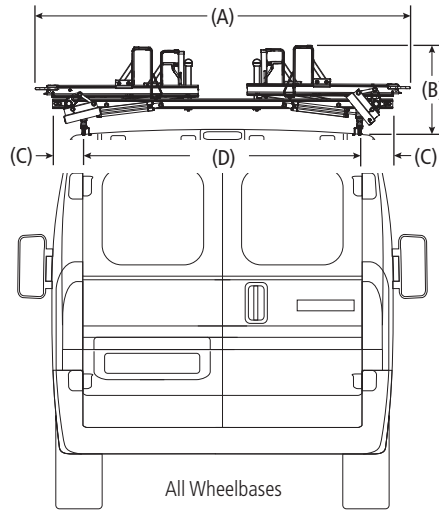
#### 136" Wheelbase, Low/High Roof

- G: Total Crossbar Spacing..... 6'-8'
- H: Rack Length..... 130"

#### Compatible Accessories Available

(Sold Separately)

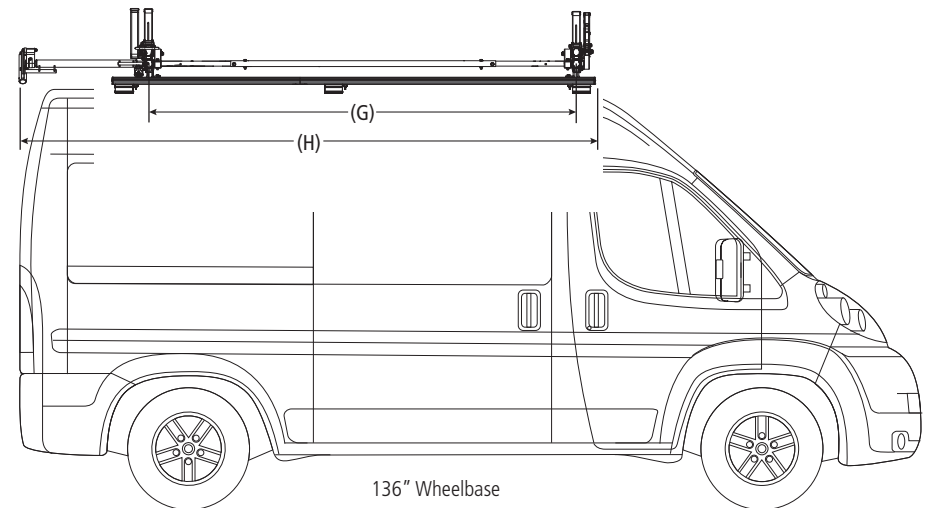
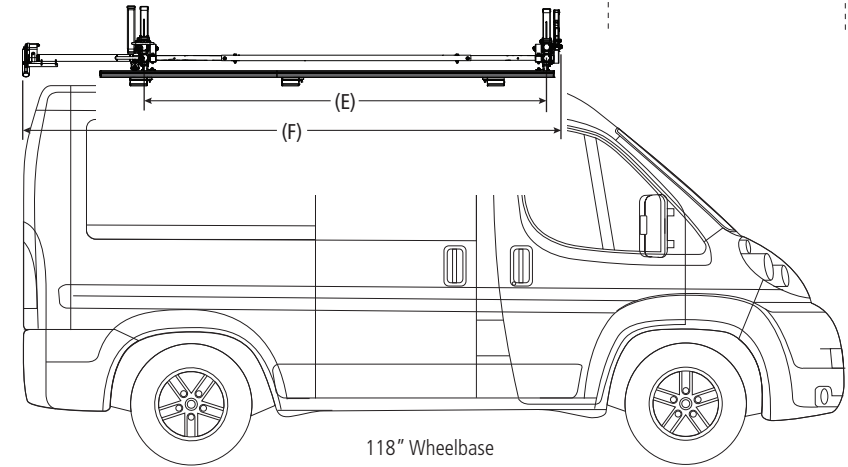
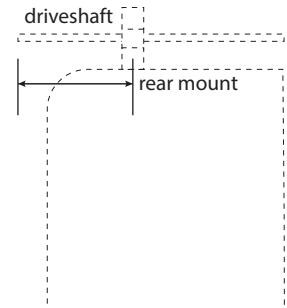
- Rear Access Ladder..... [AAL Series](#)
- 8'-12' Conduit Carriers..... [CON Series](#)
- WorkPro LED Lighting..... [LED Series](#)
- Systems and Safety Components ..... [RVS Series](#)
- Safety monitoring..... [DS2 Series](#)



### Low/High Roof Configurations

Rear Drive Shaft Offset: 29"

Note: The end of the driveshaft must not extend beyond the vehicle bumper



## HRR-E-PM-HM

### ErgoRack, Promaster High Roof

Approximate dimensions as shown:

#### All Wheelbases

- A: Rack Width ..... 79"
- B: Rack Height ..... 18.50"
- C: Rear Crossbar Offset (L & R) ..... Even
- D: Mount Bolt Spacing L/R..... Set at install

#### 159" Wheelbase, High Roof

- E: Total Crossbar Spacing..... 8'
- F: Rack Length ..... 154"

#### 159" Extended Wheelbase, High Roof

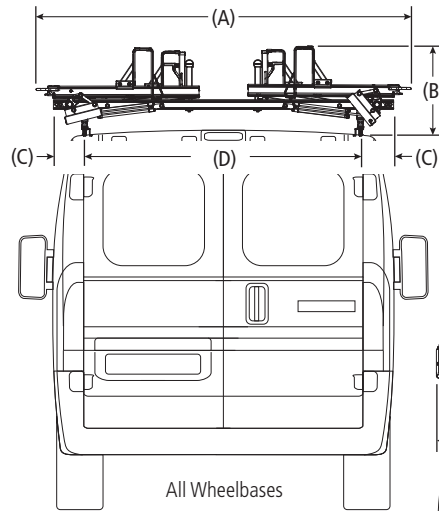
- G: Total Crossbar Spacing..... 8'
- H: Rack Length..... 169"

#### Compatible Accessories Available

(Sold Separately)

- Retractable Ratchet Tie-Down..... [ACC-8000](#)
- Rear Access Ladder..... [AAL Series](#)
- 8'–12' Conduit Carriers..... [CON Series](#)
- WorkPro LED Lighting..... [LED Series](#)
- Systems and Safety Components ..... [RVS Series](#)
- Safety monitoring..... [DS2 Series](#)

### High Roof Configurations



Rear Drive Shaft Offset: 29"

Note: The end of the driveshaft must not extend beyond the vehicle bumper

