

VBR-TC-HM

ErgoRack, Transit Connect

Two Crossbars, Powder Coat Finish
Rack Weight (empty): 65 lbs

*Callouts in this Configuration Overview indicate full module assemblies only.

For details on individual parts, please refer to the linked Module Overviews below.

- A: [FBM-1012-BLK Mounting System](#)
- B: [CBA-3002 Hybrid Crossbar Assembly](#)
- C: [FEA-0015 Rotation Driveshaft Feature](#)

[Modular Assembly Manuals](#)

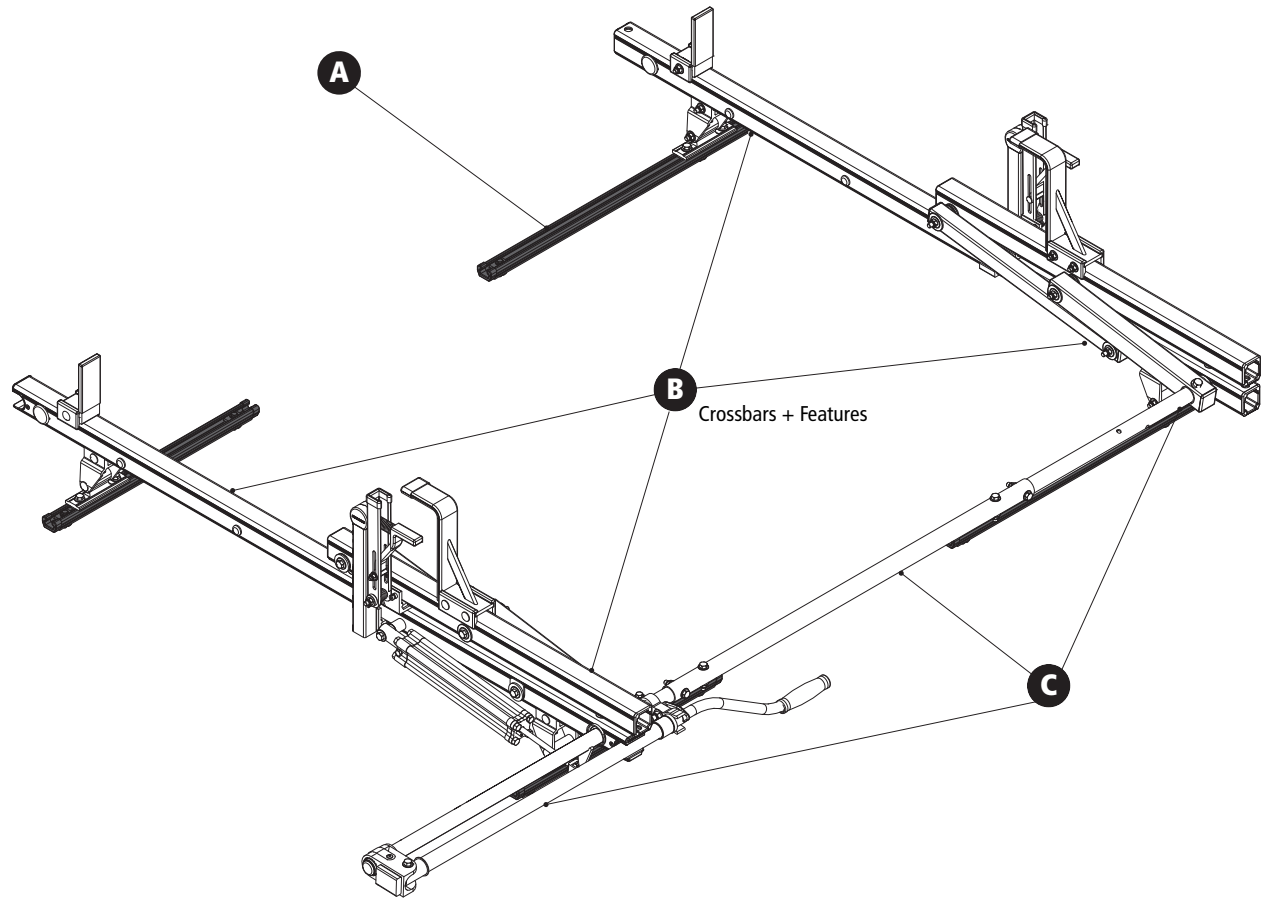
ErgoRack Van—Load specifications:

Check vehicle manufacturer recommendations for roof capacity weight limits.

CROSSBAR SPACING	STEP LADDER	EXT. LADDER
4 ft Spacing	6 – 8 ft.	16 – 20 ft.
5 ft Spacing	8 – 10 ft.	16 – 24 ft.
6 ft Spacing	8 – 12 ft. [†]	16 – 28 ft.
7 ft Spacing	10 – 12 ft. [†]	20 – 32 ft.
8 ft Spacing	10 – 12 ft. [†]	20 – 36 ft.

[†]Rotation Configurations: 12 ft. step ladders require an extended upper add-on component.

*Example shown with 105" Wheelbase Configuration



VBR-TC-HM

ErgoRack, Transit Connect

Approximate dimensions as shown:

All Wheelbases

- A: Rack Width 62"
- B: Rack Height 17.50"
- C: Rear Crossbar Offset (Left).....Even
- D: Mount Bolt Spacing L/R..... Set at install

105" Wheelbase

- E: Total Crossbar Spacing.....5'
- F: Rack Length 88"

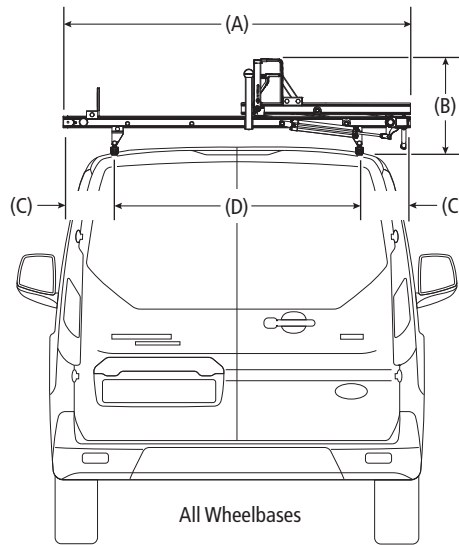
121" Wheelbase

- G: Total Crossbar Spacing.....6'
- H: Rack Length..... 100"

Compatible Accessories Available

(Sold Separately)

- Retractable Ratchet Tie-Down.....[ACC-8000](#)
- 8'-12' Conduit Carriers.....[CON Series](#)
- WorkPro LED Lighting.....[LED Series](#)
- Systems and Safety Components[RVS Series](#)
- Safety monitoring.....[DS2 Series](#)



Rear Drive Shaft Offset: 24"

Note: The end of the driveshaft must not extend beyond the vehicle bumper

