

VBR-GM-HM

ErgoRack, GM Van

Two Crossbars, Powder Coat Finish
Rack Weight (empty): 71–77 lbs

*Callouts in this Configuration Overview indicate full module assemblies only.

For details on individual parts, please refer to the linked Module Overviews below.

- A: [FBM-1016-BLK Mounting System](#)
- B: [CBA-3005 Hybrid Crossbar Assembly](#)
- C: [FEA-0022 Rotation Feature](#)
- D: [FEA-0015 Rotation Driveshaft Feature](#)

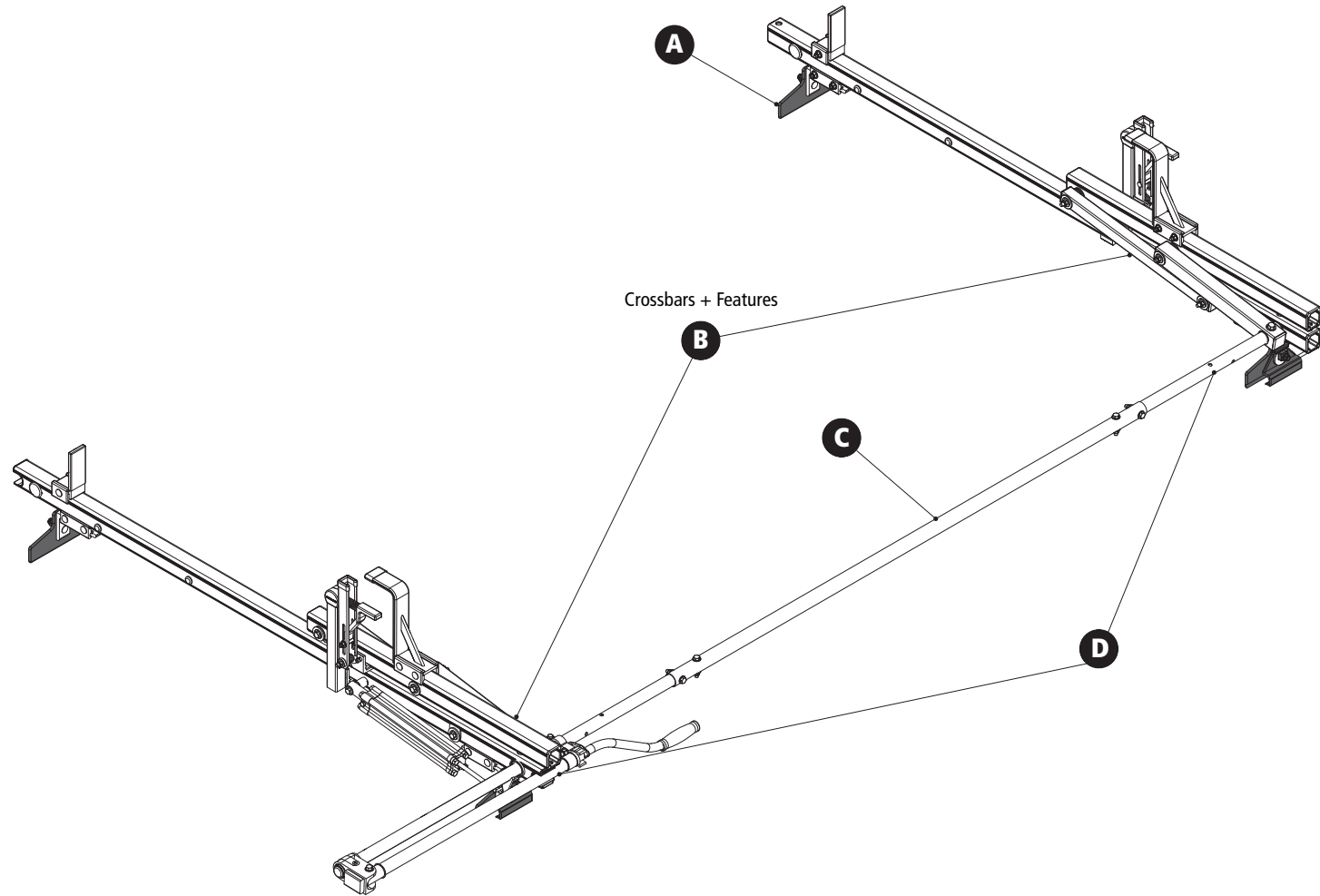
[Modular Assembly Manuals](#)

ErgoRack Van—Load specifications:

Check vehicle manufacturer recommendations for roof capacity weight limits.

| CROSSBAR SPACING | STEP LADDER | EXT. LADDER |
|------------------|--------------------------|-------------|
| 4 ft Spacing | 6 – 8 ft. | 16 – 20 ft. |
| 5 ft Spacing | 8 – 10 ft. | 16 – 24 ft. |
| 6 ft Spacing | 8 – 12 ft. [†] | 16 – 28 ft. |
| 7 ft Spacing | 10 – 12 ft. [†] | 20 – 32 ft. |
| 8 ft Spacing | 10 – 12 ft. [†] | 20 – 36 ft. |

[†]Rotation Configurations: 12 ft. step ladders require an extended upper add-on component.



VBR-GM-HM

ErgoRack, GM Van

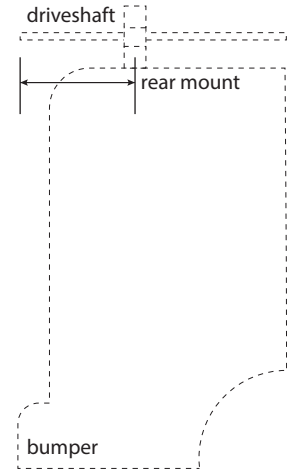
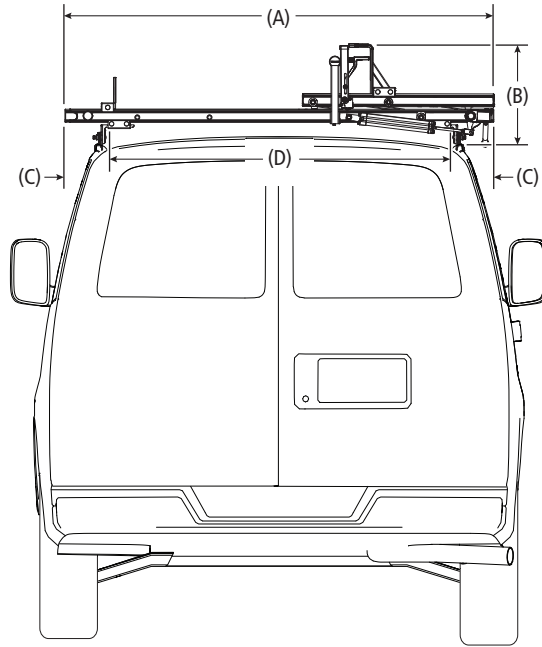
Approximate dimensions as shown:

- A: Rack Width 68"
- B: Rack Height 16"
- C: Rear Crossbar Offset (Left)..... 17.25"
- D: Mount Bolt Spacing L/R..... Variable
- E: Total Crossbar Spacing..... 6'-8'
- F: Rack Length 86"-122"

Compatible Accessories Available

(Sold Separately)

- Retractable Ratchet Tie-Down..... [ACC-8000](#)
- Rear Access Ladder..... [AAL Series](#)
- 8'-12' Conduit Carriers..... [CON Series](#)
- WorkPro LED Lighting..... [LED Series](#)
- Systems and Safety Components [RVS Series](#)
- Safety monitoring..... [DS2 Series](#)



Rear Drive Shaft Offset: 24"

Note: The end of the driveshaft must not extend beyond the vehicle bumper

