

HBB3-FT-HM

ErgoRack, Ford Transit Mid/High Roof

Three Crossbars, Powder Coat Finish
Rack Weight (empty): 41–55 lbs

*Callouts in this Configuration Overview indicate full module assemblies only.

For details on individual parts, please refer to the linked Module Overviews below.

A: [FBM-1017-BLK Mounting System](#)

B: [CBA-3009 Hybrid Crossbar Assembly](#)

[Modular Assembly Manuals](#)

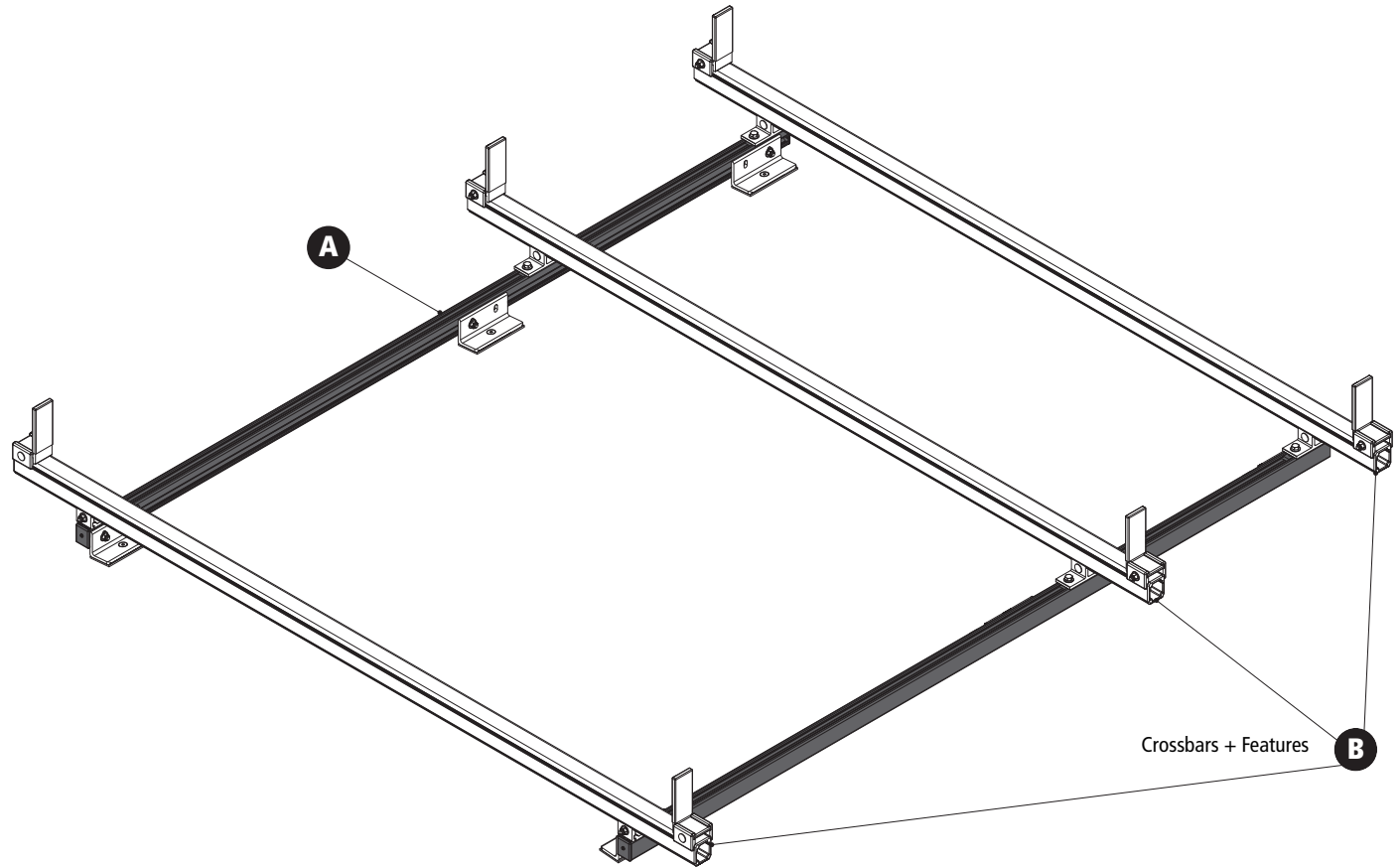
ErgoRack Van—Load specifications:

Check vehicle manufacturer recommendations for roof capacity weight limits.

CROSSBAR SPACING	STEP LADDER	EXT. LADDER
4 ft Spacing	6 – 8 ft.	16 – 20 ft.
5 ft Spacing	8 – 10 ft.	16 – 24 ft.
6 ft Spacing	8 – 12 ft. [†]	16 – 28 ft.
7 ft Spacing	10 – 12 ft. [†]	20 – 32 ft.
8 ft Spacing	10 – 12 ft. [†]	20 – 36 ft.

[†]Rotation Configurations: 12 ft. step ladders require an extended upper add-on component.

*Example shown with 130" Wheelbase Configuration



HBB3-FT-HM

ErgoRack, Ford Transit Mid Roof

Approximate dimensions as shown:

All Wheelbases

- A: Rack Width 72"
- B: Rack Height 10"
- C: Rear Crossbar Offset (L & R) Even
- D: Mount Bolt Spacing L/R 54"

130" Wheelbase

- E: Crossbar Spacing (rear to center) 2'-4'
- F: Crossbar Spacing (center to front) 2'-4'
- G: Total Crossbar Spacing 6'
- H: Rack Length 75.25"

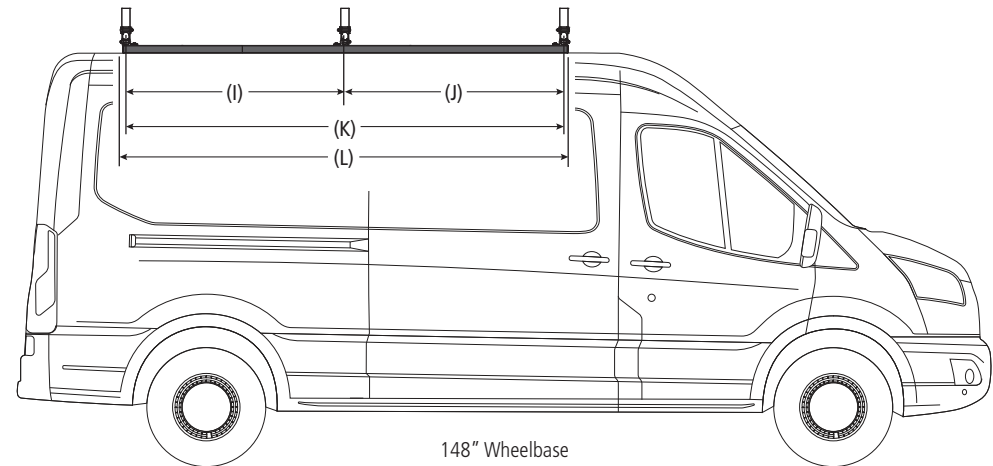
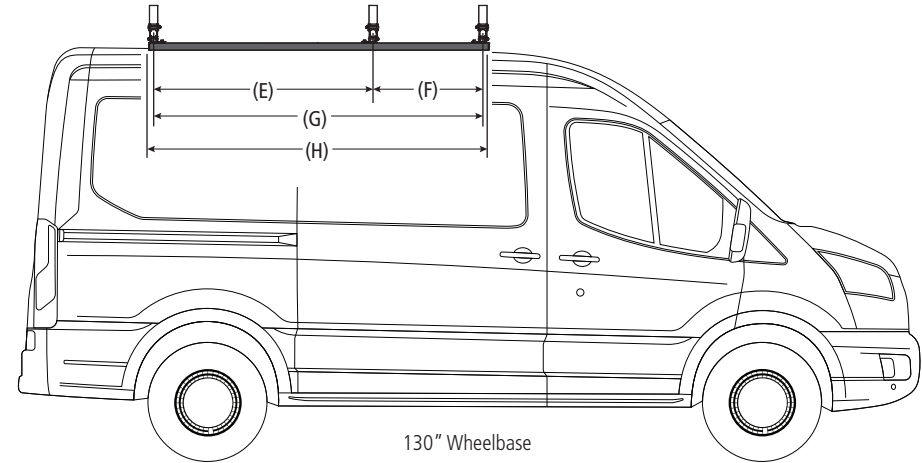
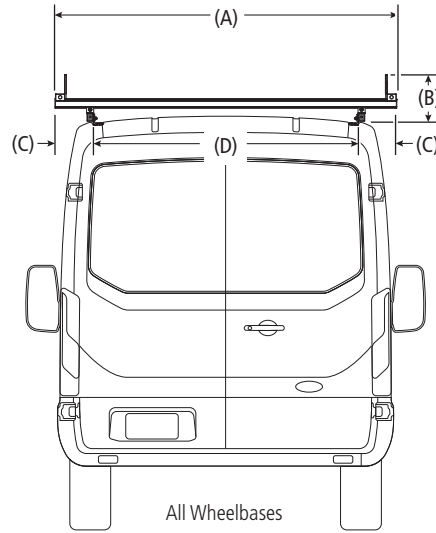
148" Wheelbase

- I: Crossbar Spacing (rear to center) 2'-4'
- J: Crossbar Spacing (center to front) 2'-4'
- K: Total Crossbar Spacing 8'
- L: Rack Length 99"

Compatible Accessories Available

(Sold Separately)

- Retractable Ratchet Tie-Down [ACC-8000](#)
- Rear Access Ladder [AAL Series](#)
- 8'-12' Conduit Carriers [CON Series](#)
- WorkPro LED Lighting [LED Series](#)
- Systems and Safety Components [RVS Series](#)
- Safety monitoring [DS2 Series](#)



HBB3-FT-HM

ErgoRack, Ford Transit High Roof

Approximate dimensions as shown:

All Wheelbases

A: Rack Width	72"
B: Rack Height	10"
C: Rear Crossbar Offset (L & R)	Even
D: Mount Bolt Spacing L/R.....	54"

130" Wheelbase

E: Crossbar Spacing (rear to center)	2'-4'
F: Crossbar Spacing (center to front)	2'-4'
G: Total Crossbar Spacing	6'
H: Rack Length.....	75.25"

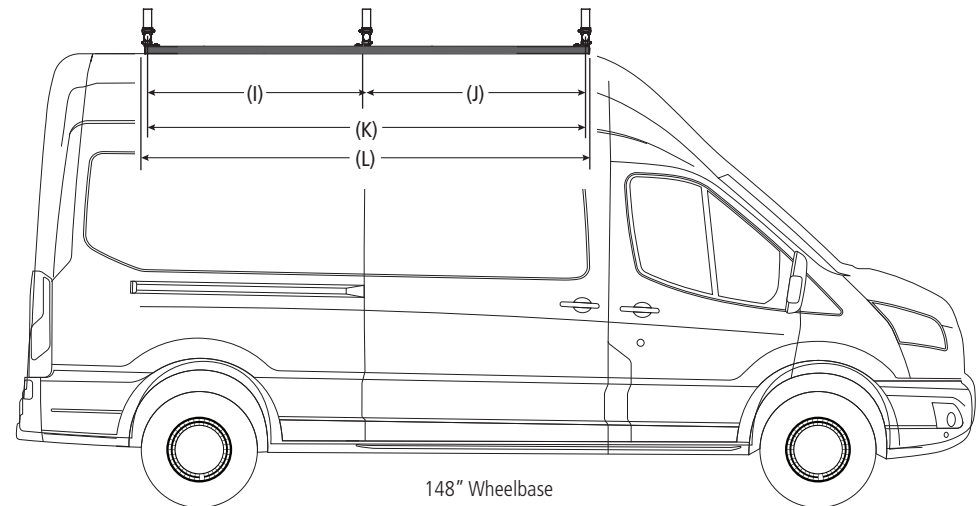
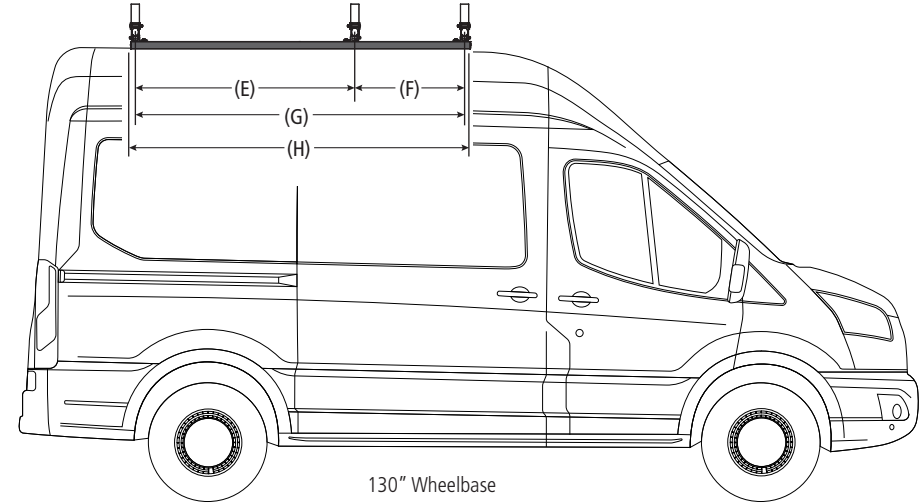
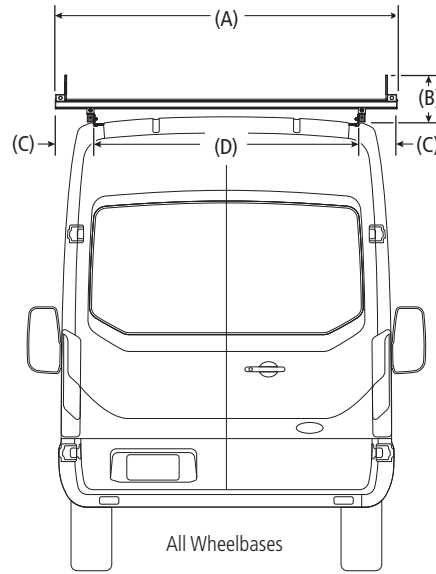
148" Wheelbase

I: Crossbar Spacing (rear to center)	2'-4'
J: Crossbar Spacing (center to front).....	2'-4'
K: Total Crossbar Spacing	8'
L: Rack Length	99"

Compatible Accessories Available

(Sold Separately)

Retractable Ratchet Tie-Down.....	ACC-8000
Rear Access Ladder.....	AAL Series
8'-12' Conduit Carriers.....	CON Series
WorkPro LED Lighting.....	LED Series
Systems and Safety Components	RVS Series
Safety monitoring.....	DS2 Series



HBB3-FT-HM

ErgoRack, Ford Transit High Roof

Approximate dimensions as shown:

All Wheelbases

- A: Rack Width 72"
- B: Rack Height 10"
- C: Rear Crossbar Offset (L & R) Even
- D: Mount Bolt Spacing L/R..... 54"

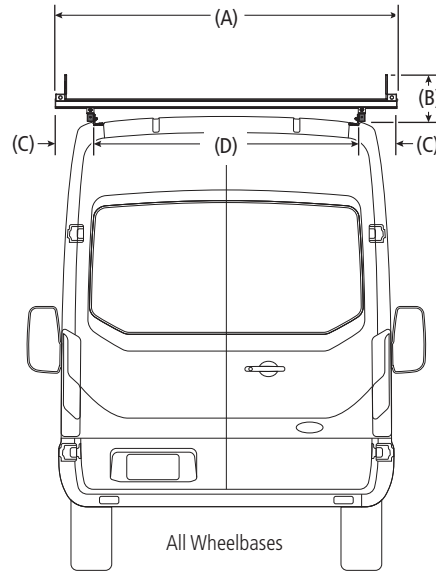
148" Extended Wheelbase

- E: Crossbar Spacing (rear to center) 3'-4'
- F: Crossbar Spacing (center to front) 2'-5'
- G: Total Crossbar Spacing 8'
- H: Rack Length 116"

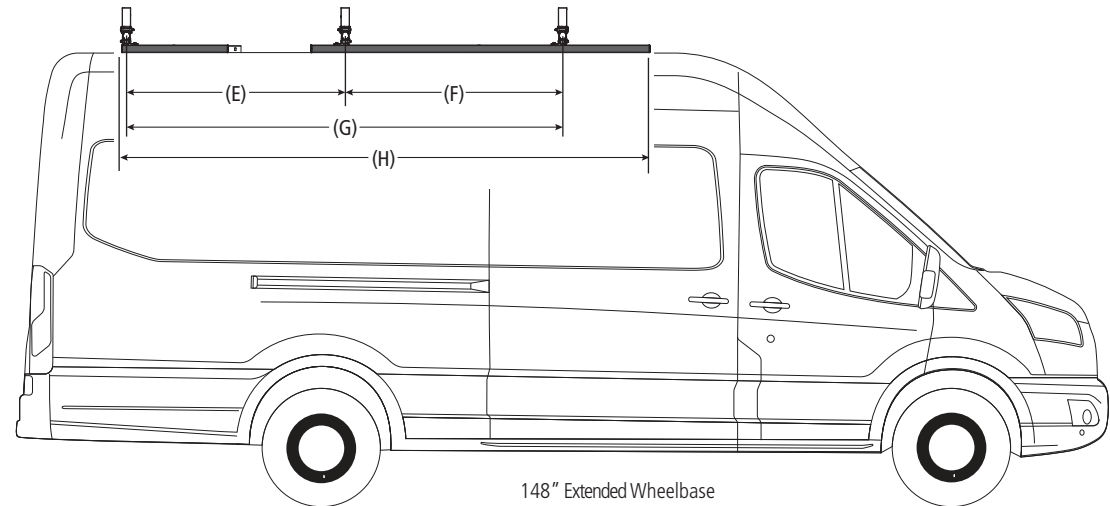
Compatible Accessories Available

(Sold Separately)

- Retractable Ratchet Tie-Down [ACC-8000](#)
- Rear Access Ladder..... [AAL Series](#)
- 8'-12' Conduit Carriers..... [CON Series](#)
- WorkPro LED Lighting..... [LED Series](#)
- Systems and Safety Components [RVS Series](#)
- Safety monitoring..... [DS2 Series](#)



All Wheelbases



148" Extended Wheelbase