

## HBB-FT-M

### ErgoRack, Ford Transit Mid/High Roof

Two Crossbars, Powder Coat Finish  
Rack Weight (empty): 44 lbs

\*Callouts in this Configuration Overview indicate full module assemblies only.

For details on individual parts, please refer to the linked Module Overviews below.

- A: ..... [FBM-1017-BLK Mounting System](#)
- B: ..... [CBR-0007 Crossbar Assembly](#)
- C: ..... [FEA-0001 End Stop Assembly \(x2\)](#)

[Modular Assembly Manuals](#)

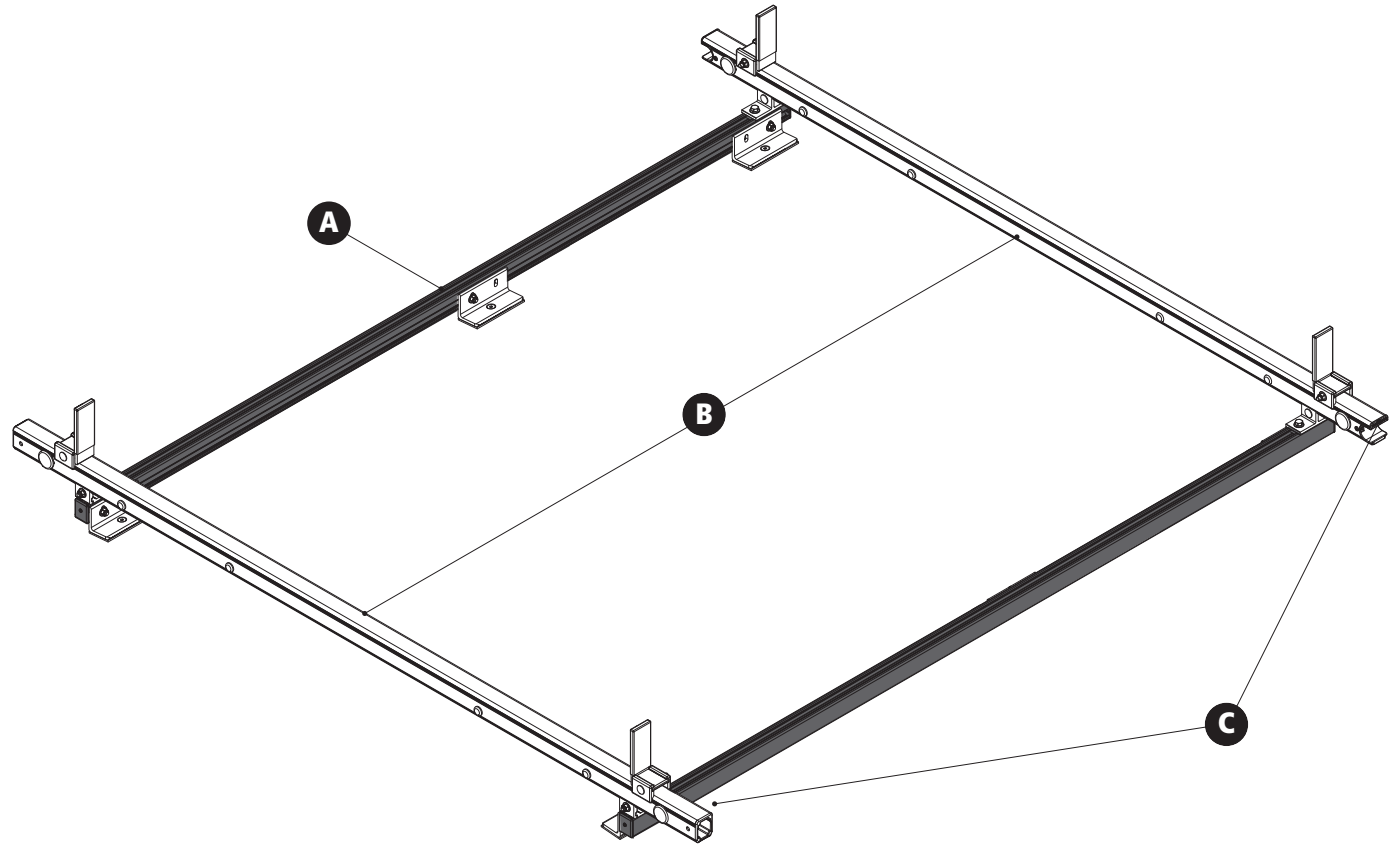
### ErgoRack Van—Load specifications:

Check vehicle manufacturer recommendations for roof capacity weight limits.

CROSSBAR SPACING	STEP LADDER	EXT. LADDER
4 ft Spacing	6 – 8 ft.	16 – 20 ft.
5 ft Spacing	8 – 10 ft.	16 – 24 ft.
6 ft Spacing	8 – 12 ft. <sup>†</sup>	16 – 28 ft.
7 ft Spacing	10 – 12 ft. <sup>†</sup>	20 – 32 ft.
8 ft Spacing	10 – 12 ft. <sup>†</sup>	20 – 36 ft.

<sup>†</sup>Rotation Configurations: 12 ft. step ladders require an extended upper add-on component.

\*Example shown with 130" Wheelbase Configuration



## HBB-FT-M

### ErgoRack, Ford Transit Mid Roof

Approximate dimensions as shown:

#### All Wheelbases

A: Rack Width .....	72"
B: Rack Height .....	10"
C: Rear Crossbar Offset (L & R) .....	Even
D: Mount Bolt Spacing L/R .....	54"

#### 130" Wheelbase

E: Crossbar Spacing (rear to center) .....	2'-4'
F: Crossbar Spacing (center to front) .....	2'-4'
G: Total Crossbar Spacing .....	6'
H: Rack Length .....	75.25"

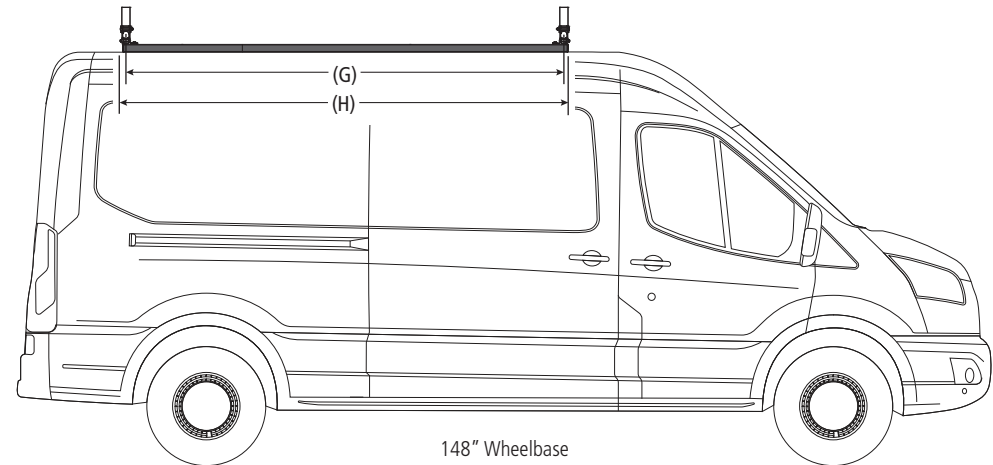
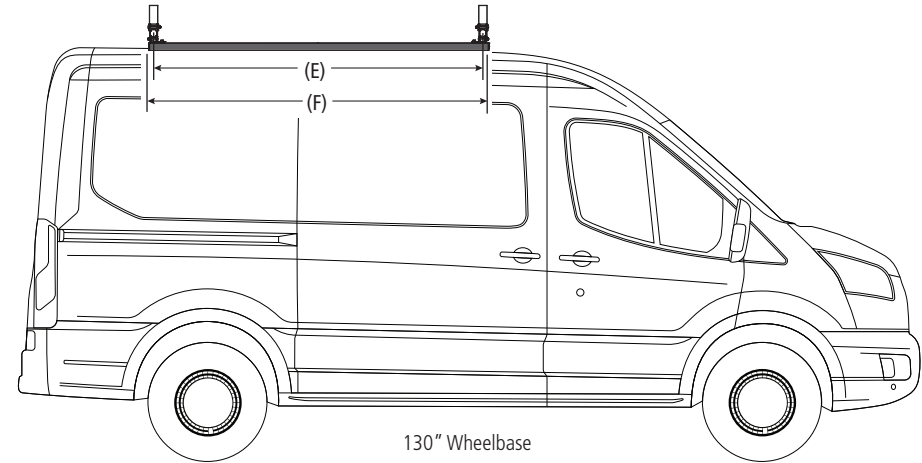
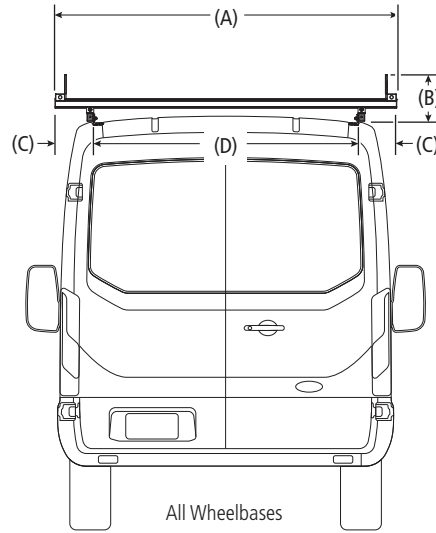
#### 148" Wheelbase

I: Crossbar Spacing (rear to center) .....	2'-4'
J: Crossbar Spacing (center to front) .....	2'-4'
K: Total Crossbar Spacing .....	8'
L: Rack Length .....	99"

#### Compatible Accessories Available

(Sold Separately)

Retractable Ratchet Tie-Down .....	<a href="#">ACC-8000</a>
Rear Access Ladder .....	<a href="#">AAL Series</a>
8'-12' Conduit Carriers .....	<a href="#">CON Series</a>
WorkPro LED Lighting .....	<a href="#">LED Series</a>
Systems and Safety Components .....	<a href="#">RVS Series</a>
Safety monitoring .....	<a href="#">DS2 Series</a>



## HBB-FT-M

ErgoRack, Ford Transit High Roof  
Approximate dimensions as shown:

### All Wheelbases

A: Rack Width .....	72"
B: Rack Height .....	10"
C: Rear Crossbar Offset (L & R) .....	Even
D: Mount Bolt Spacing L/R.....	54"

### 130" Wheelbase

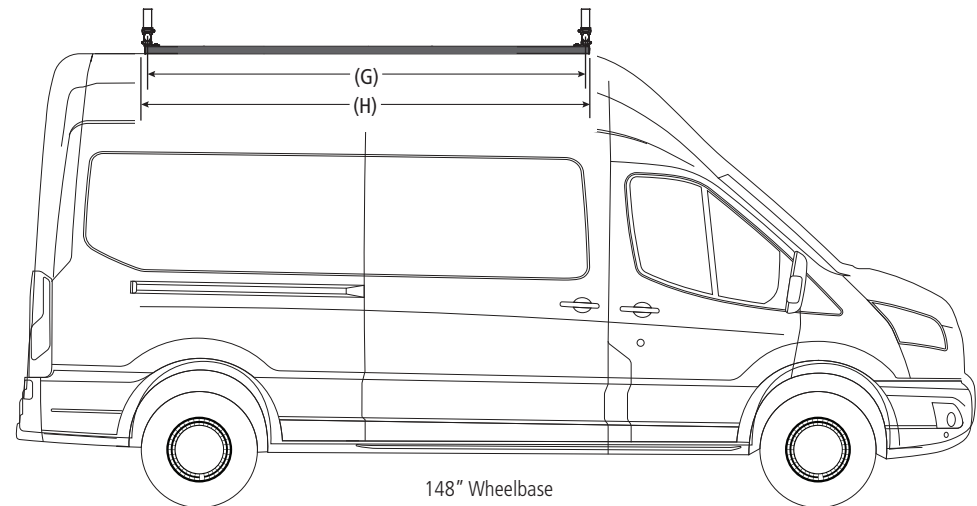
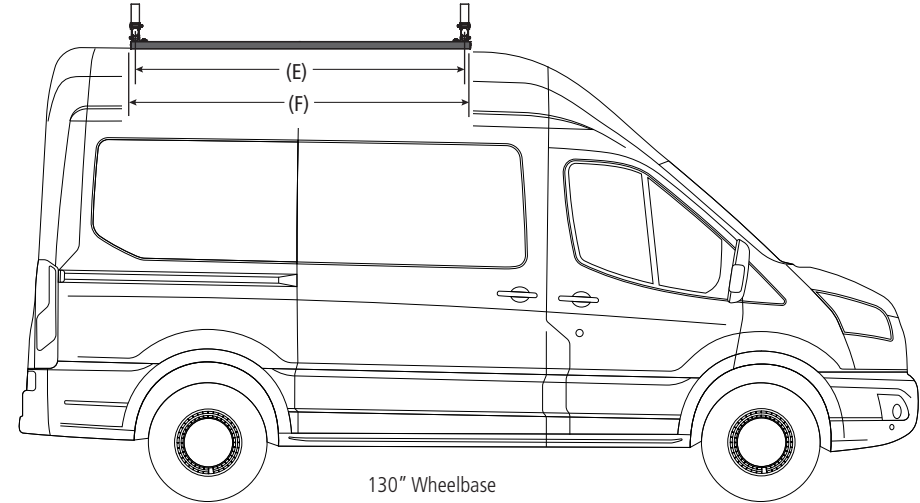
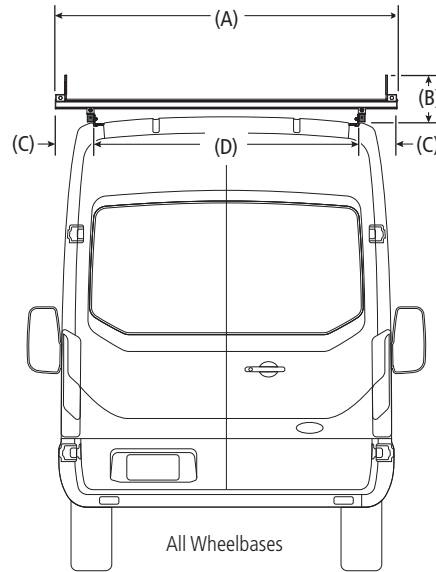
E: Crossbar Spacing (rear to center) .....	2'-4'
F: Crossbar Spacing (center to front) .....	2'-4'
G: Total Crossbar Spacing .....	6'
H: Rack Length.....	75.25"

### 148" Wheelbase

I: Crossbar Spacing (rear to center) .....	2'-4'
J: Crossbar Spacing (center to front).....	2'-4'
K: Total Crossbar Spacing .....	8'
L: Rack Length .....	99"

### Compatible Accessories Available (Sold Separately)

Retractable Ratchet Tie-Down.....	<a href="#">ACC-8000</a>
Rear Access Ladder.....	<a href="#">AAL Series</a>
8'-12' Conduit Carriers.....	<a href="#">CON Series</a>
WorkPro LED Lighting.....	<a href="#">LED Series</a>
Systems and Safety Components .....	<a href="#">RVS Series</a>
Safety monitoring.....	<a href="#">DS2 Series</a>



### HBB-FT-M

#### ErgoRack, Ford Transit High Roof

Approximate dimensions as shown:

#### All Wheelbases

- A: Rack Width ..... 72"
- B: Rack Height ..... 10"
- C: Rear Crossbar Offset (L & R) ..... Even
- D: Mount Bolt Spacing L/R..... 54"

#### 148" Extended Wheelbase

- E: Crossbar Spacing (rear to center) ..... 3'-4'
- F: Crossbar Spacing (center to front) ..... 2'-5'
- G: Total Crossbar Spacing ..... 8'
- H: Rack Length ..... 116"

#### Compatible Accessories Available

(Sold Separately)

- Retractable Ratchet Tie-Down ..... [ACC-8000](#)
- Rear Access Ladder..... [AAL Series](#)
- 8'-12' Conduit Carriers..... [CON Series](#)
- WorkPro LED Lighting..... [LED Series](#)
- Systems and Safety Components ..... [RVS Series](#)
- Safety monitoring..... [DS2 Series](#)

