

CBR-0019

Middle Crossbar Module

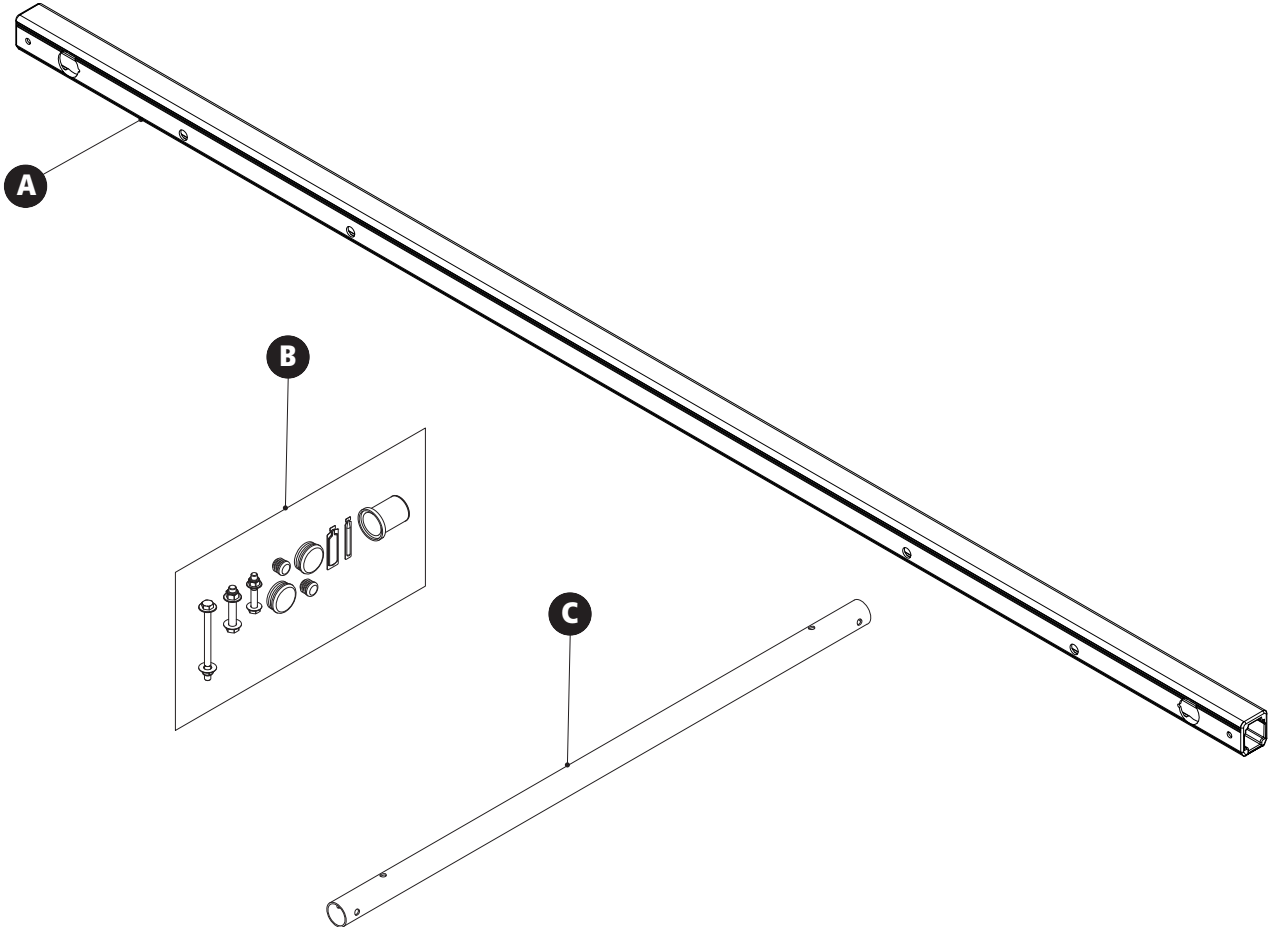
Dimensional Specifications on Page 2

Configuration as shown:

Rotation Left, Powder Coat Finish
Weight: 13.50 lbs

- A: Middle Crossbar
- B: HKT-8407 Hardware Kit
- C: 3' Connecting Bar Feature

[Modular Assembly Manuals](#)



CBR-0019

Middle Crossbar Module

Approximate dimensions as shown:

- A: Crossbar Width 1.75"
- B: Connecting Bar Length 35.50"
- C: Crossbar Length 84"

