

ASH-8125

Strobe/Go-Light Holder

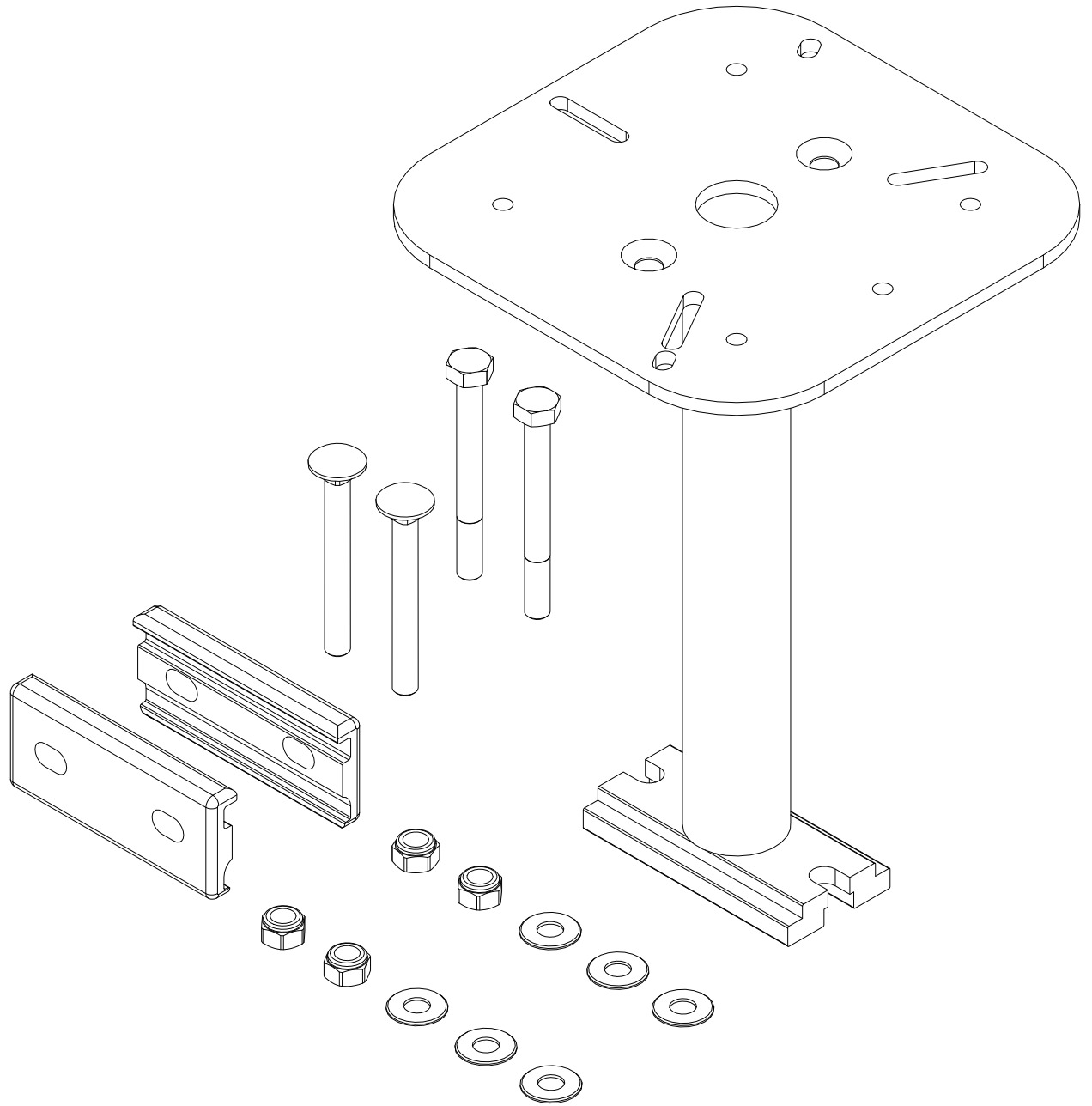
Dimensional Specifications on Page 2

Configuration as shown:

Crossbar Pedestal Light Holder, US Gen1-4

Finish: White Powder Coat

Rack Weight (empty): 2 lbs

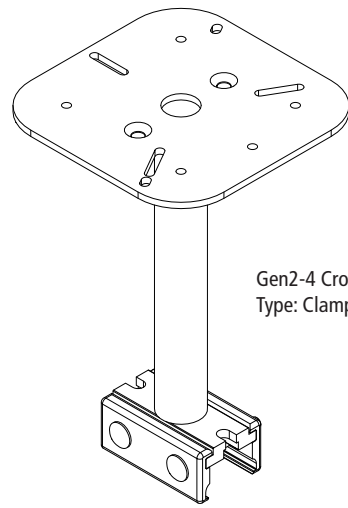


ASH-8125

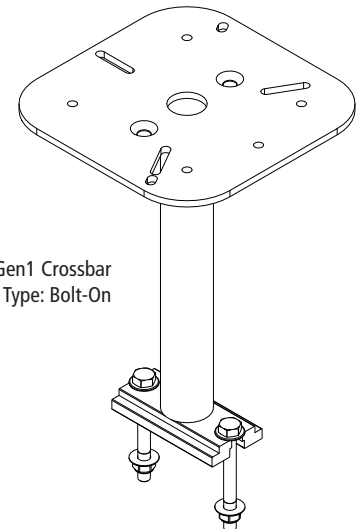
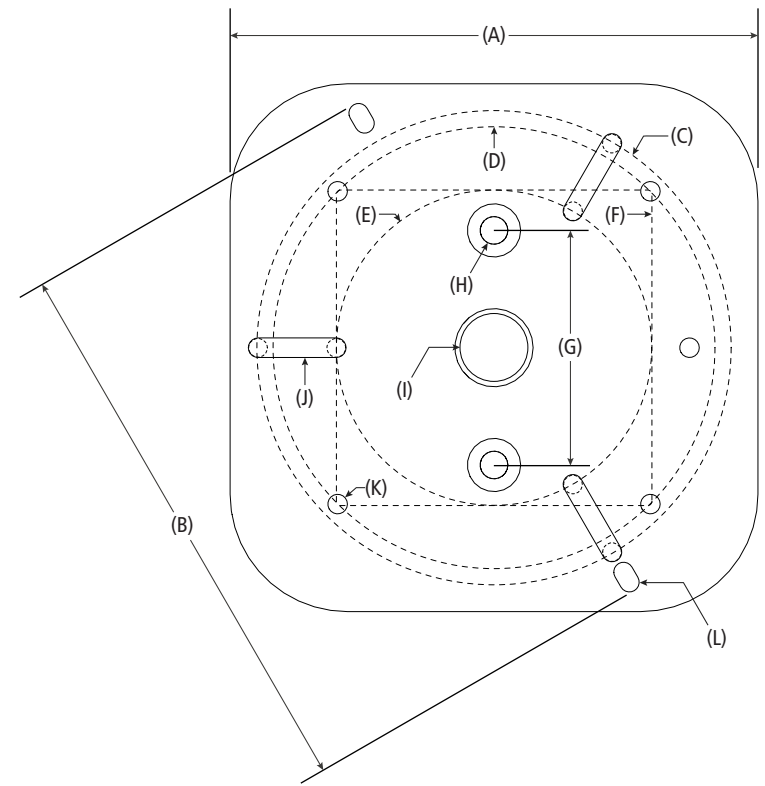
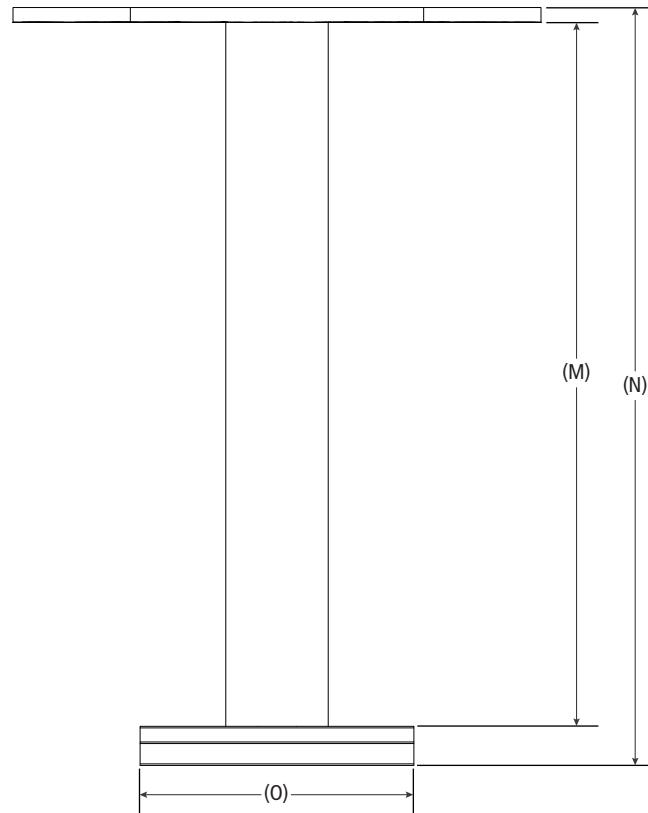
Strobe/Go-Light Holder

Approximate dimensions as shown:

A: Mounting Plate Width/Depth	6.75"
B: Mounting Holes (2 Screws Diagonal)	6.92"
C: Mounting Circumcenter (Outer)	6.40"
D: Mounting Diameter (4 Screws)	5.65"
E: Mounting Circumcenter (Inner)	3.90"
F: Mounting Hole Spacing (Square)	4"
G: Mounting Hole Spacing (2 Screws)	3"
H: Mounting Hole Diameter23/64"
I: Wiring Access	7/8"
J: Screw Slot Length, Long (3 Total)	1"
K: Mounting Hole (5 Total)	1/4"
L: Screw Slot Length, Short (2 Total)	5/32"
M: Holder Post Height	9"
N: Total Holder Height	9.70"
O: Holder Base Width	3.50"



Gen2-4 Crossbar
Type: Clamp On



Gen1 Crossbar
Type: Bolt-On

Assembly Manual also available:

ASH-8125

USOV-ASH8125-US01 Rev-A 0118