

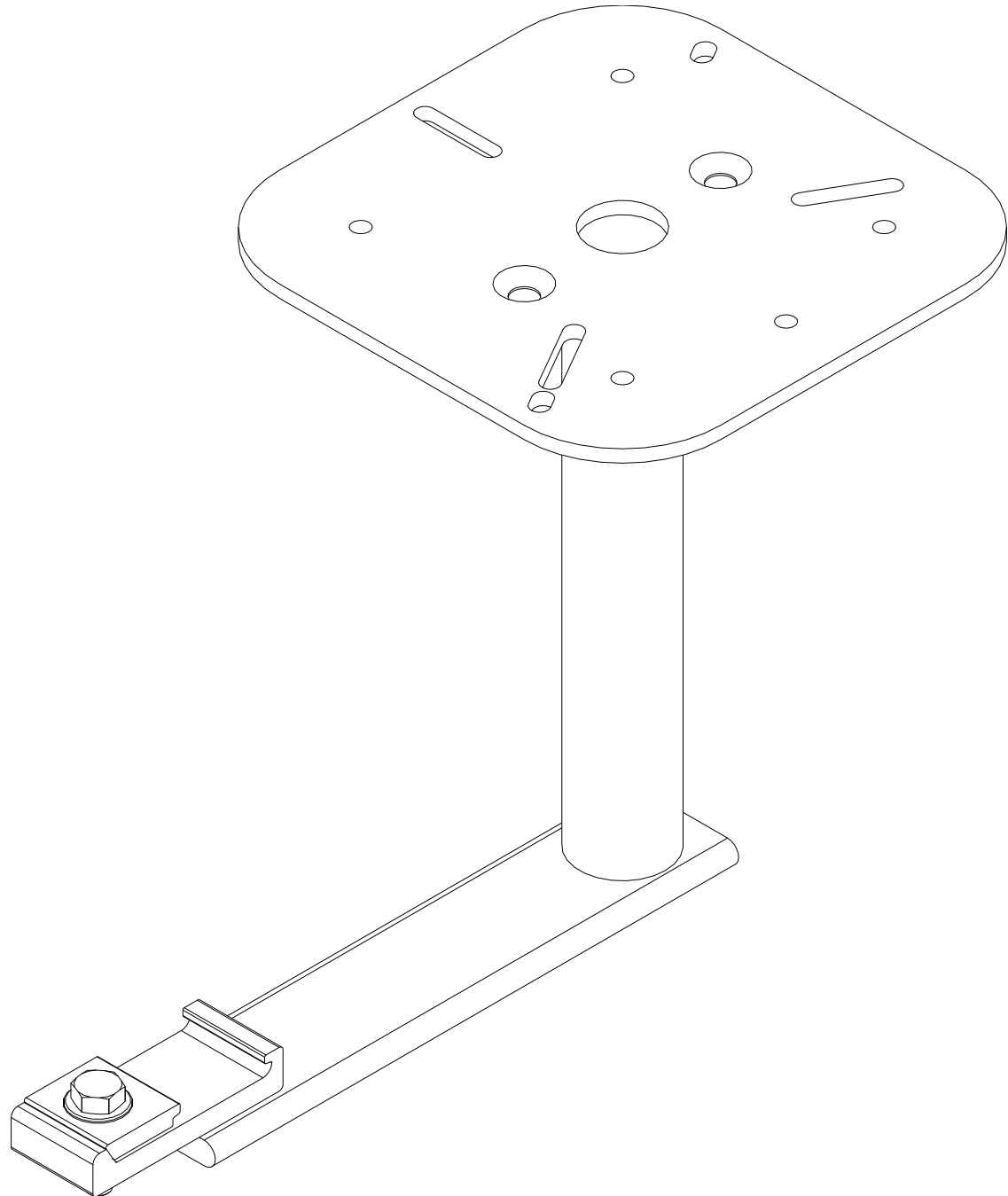
ASH-8611

Strobe/Go-Light Holder

Dimensional Specifications on Page 2

Configuration as shown:

Crossbar Pedestal Light Holder
Extension Arm, 8" High, US Gen2-4
Finish: White Powder Coat
Rack Weight (empty): 1.80 lbs

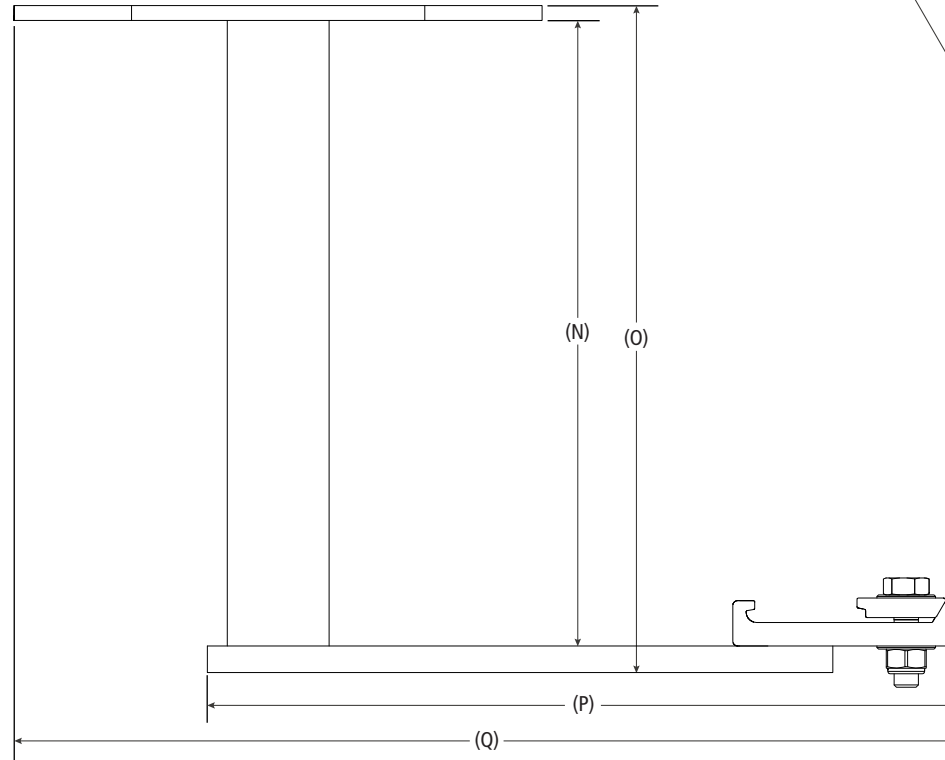
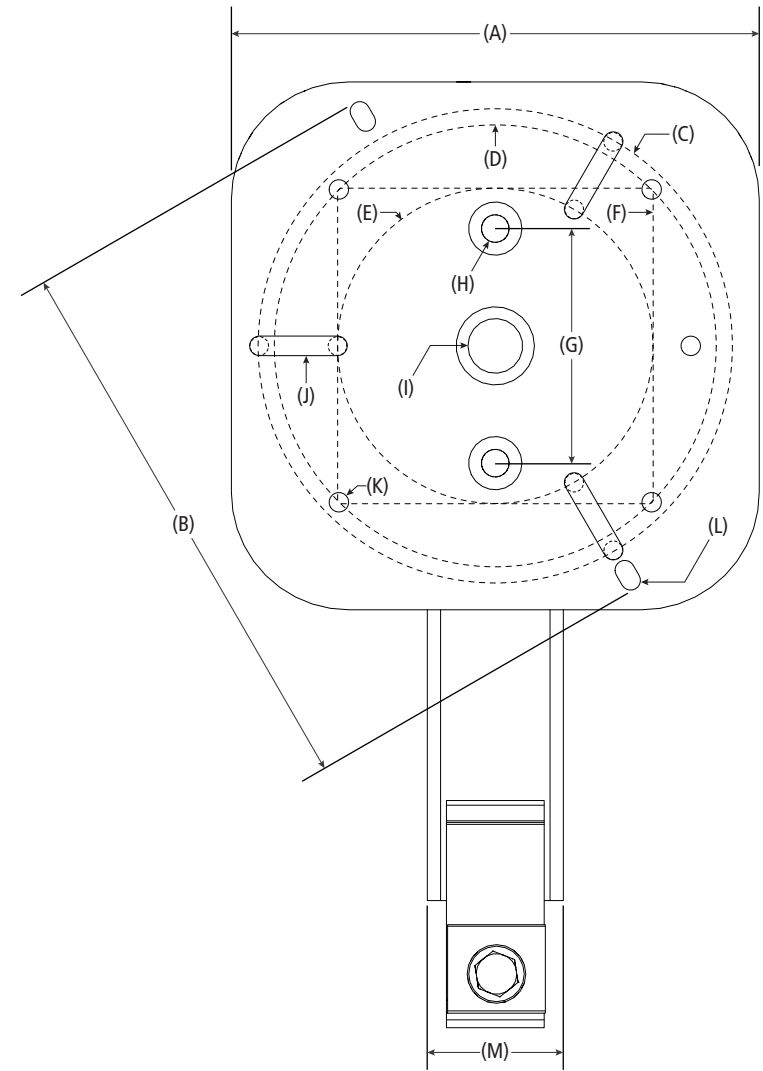
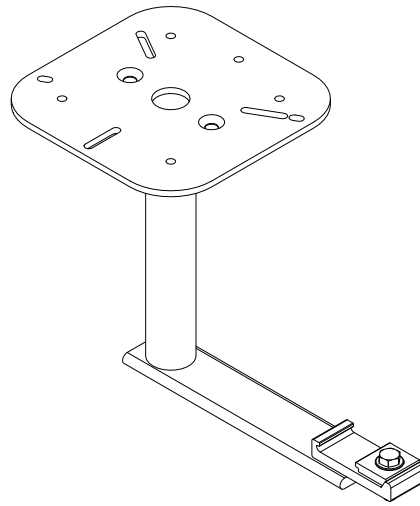


ASH-8611

Strobe/Go-Light Holder

Approximate dimensions as shown:

A: Mounting Plate Width/Depth	6.75"
B: Mounting Holes (2 Screws Diagonal)	6.92"
C: Mounting Circumcenter (Outer)	6.40"
D: Mounting Diameter (4 Screws)	5.65"
E: Mounting Circumcenter (Inner)	3.90"
F: Mounting Hole Spacing (Square)	4"
G: Mounting Hole Spacing (2 Screws)	3"
H: Mounting Hole Diameter23/64"
I: Wiring Access	7/8"
J: Screw Slot Length, Long (3 Total)	1"
K: Mounting Hole (5 Total)	1/4"
L: Screw Slot Length, Short (2 Total)	5/32"
M: Holder Base Width	1.75"
N: Holder Post Height	8"
O: Total Holder Height	8.53"
P: Extension Arm Length	9.625"
Q: Holder Length Total	12.09"



Assembly Manual also available:

ASH-8611

USOV-ASH8611-US01 Rev-C 0118