

ASH-8126

Strobe/Go-Light Holder

Dimensional Specifications on Page 2

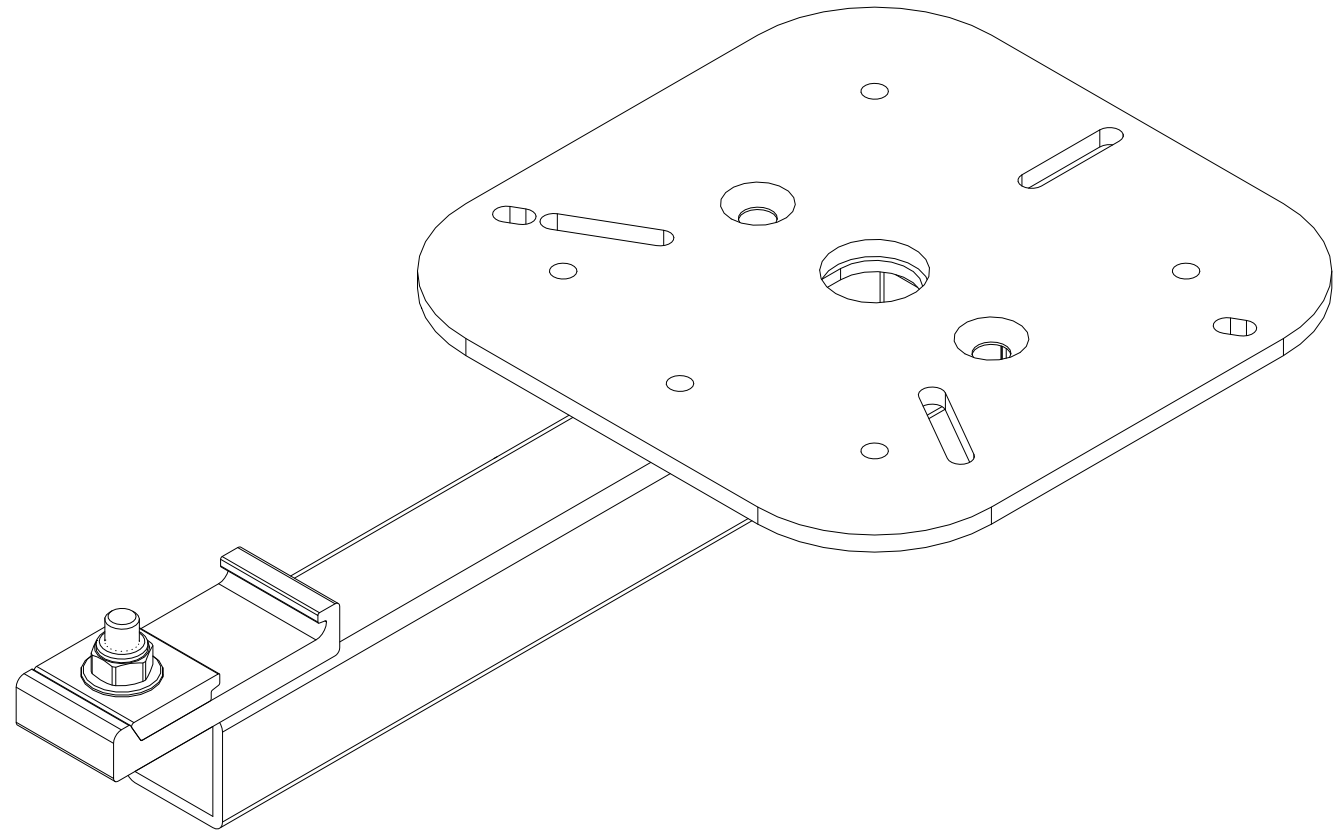
Configuration as shown:

Universal Crossbar Light Holder

Extension Arm, US Gen2-4

Finish: White Powder Coat

Rack Weight (empty): 1.50 lbs

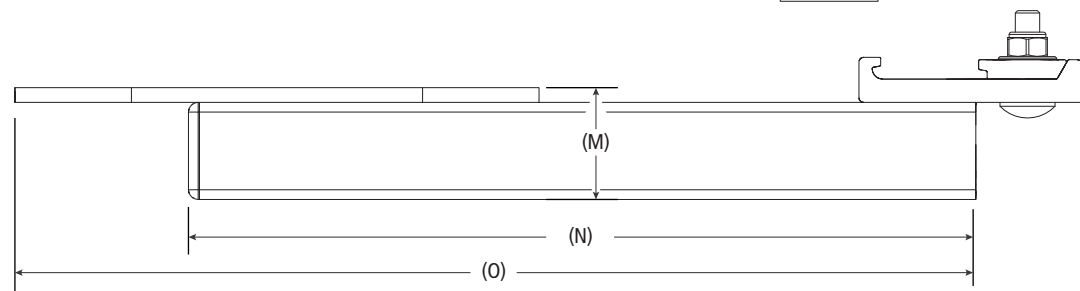
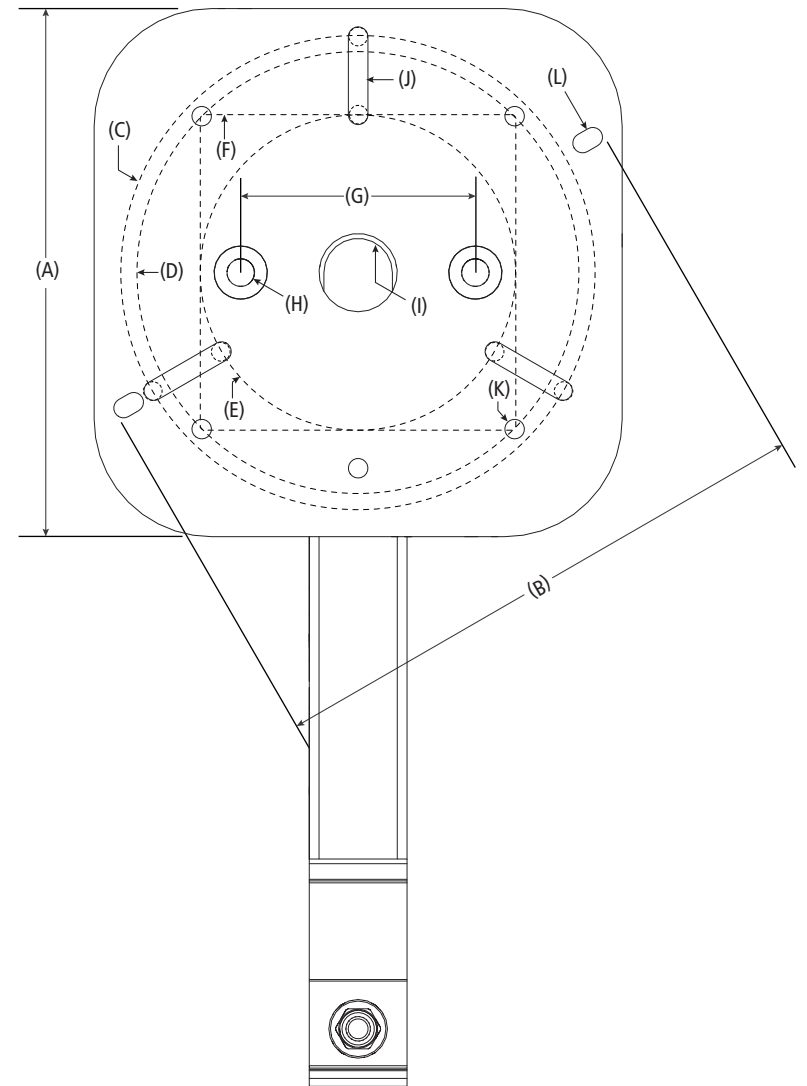
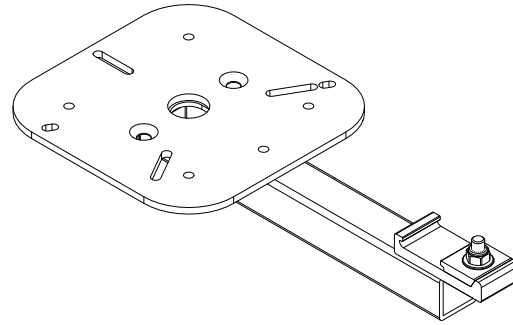


ASH-8126

Strobe/Go-Light Holder

Approximate dimensions as shown:

| | |
|---|---------|
| A: Mounting Plate Width/Depth | 6.75" |
| B: Mounting Holes (2 Screws Diagonal) | 6.92" |
| C: Mounting Circumcenter (Outer) | 6.40" |
| D: Mounting Diameter (4 Screws) | 5.65" |
| E: Mounting Circumcenter (Inner) | 3.90" |
| F: Mounting Hole Spacing (Square) | 4" |
| G: Mounting Hole Spacing (2 Screws) | 3" |
| H: Mounting Hole Diameter | .23/64" |
| I: Wiring Access | 7/8" |
| J: Screw Slot Length, Long (3 Total) | 1" |
| K: Mounting Hole (5 Total) | 1/4" |
| L: Screw Slot Length, Short (2 Total) | 5/32" |
| M: Total Holder Height | 1.50" |
| N: Extension Arm Length | 10.125" |
| O: Holder Length Total | 12.375" |



Assembly Manual also available:

ASH-8126

USOV-ASH8126-US01 Rev-A 1119