

VRB-FT-M

ErgoRack, Ford Transit Low Roof

Two Crossbars, Powder Coat Finish
Rack Weight (empty): 77 lbs

*Callouts in this Configuration Overview indicate full module assemblies only.

For details on individual parts, please refer to the linked Module Overviews below.

- A: [FEA-0001 End Stop Assembly](#)
- B: [FBM-1017-BLK Mounting System](#)
- C: [CBR-0005 Crossbar Assembly](#)
- D: [FEA-0002 Rotation Assembly](#)
- E: [FEA-0016 Rotation Driveshaft Feature](#)

[Modular Assembly Manuals](#)

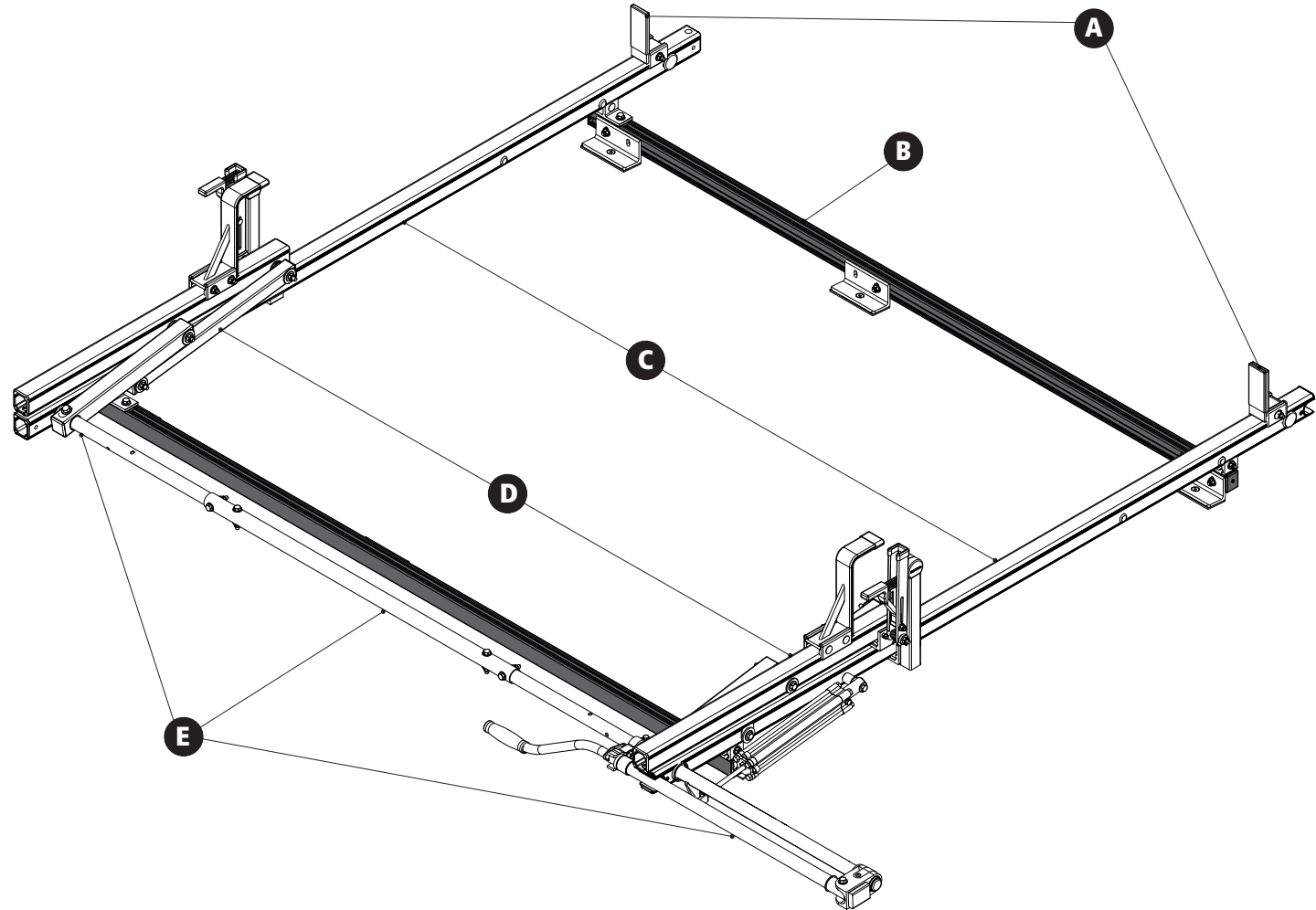
ErgoRack Van—Load specifications:

Check vehicle manufacturer recommendations for roof capacity weight limits.

CROSSBAR SPACING	STEP LADDER	EXT. LADDER
4 ft Spacing	6 – 8 ft.	16 – 20 ft.
5 ft Spacing	8 – 10 ft.	16 – 24 ft.
6 ft Spacing	8 – 12 ft. [†]	16 – 28 ft.
7 ft Spacing	10 – 12 ft. [†]	20 – 32 ft.
8 ft Spacing	10 – 12 ft. [†]	20 – 36 ft.

[†]Rotation Configurations: 12 ft. step ladders require an extended upper add-on component.

*Example shown with 130" Wheelbase Configuration



VRB-FT-M

ErgoRack, Ford Transit Low Roof

Approximate dimensions as shown:

All Wheelbases

- A: Rack Width 78"
- B: Rack Height 16"
- C: Rear Crossbar Offset (Right) 10.25"
- D: Mount Bolt Spacing L/R..... 54"

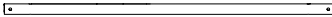
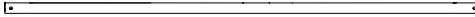
130" Wheelbase

- E: Total Crossbar Spacing..... 6'
- F: Rack Length 100"

148" Wheelbase

- G: Total Crossbar Spacing *6'
- H: Rack Length..... 121"

* Optional 5' Connecting Bar Feature, [FEA-0022](#) is required per Rotation side-to extend Crossbar distance beyond 6' (8' max). Please Contact Prime Design Customer Service.

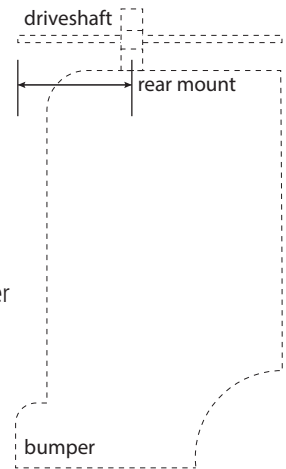
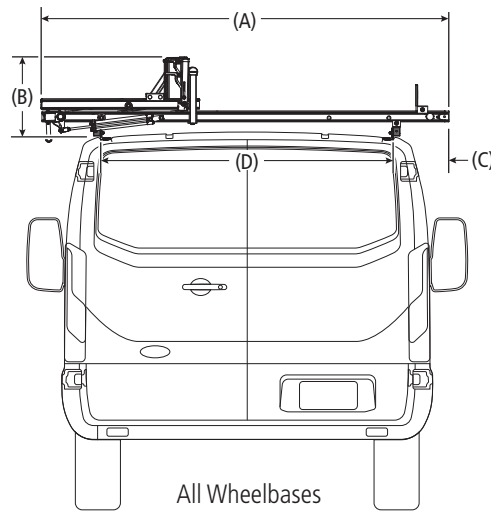
-  3' Connecting Bar (Included in current configuration)
-  5' Connecting Bar (Sold separately)

Compatible Accessories Available

(Sold Separately)

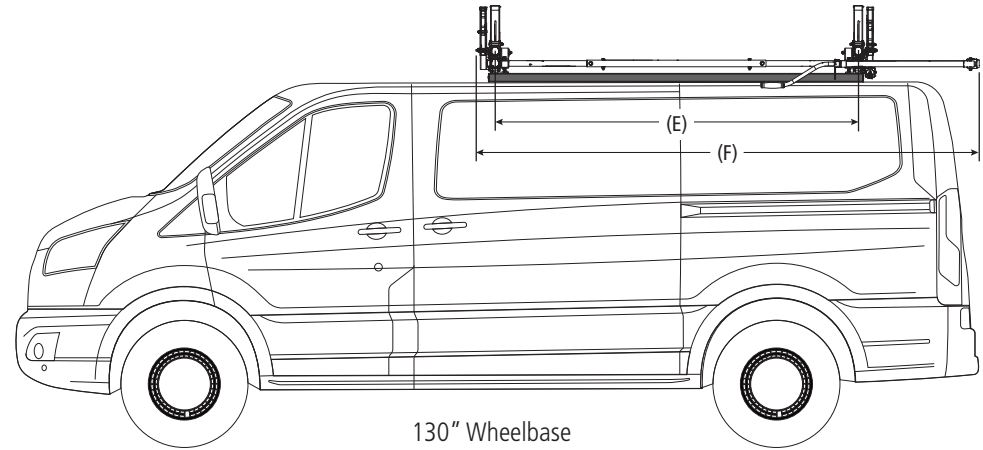
- 5' Rotation Connecting Bar [FEA-0022](#)
- Retractable Ratchet Tie-Down [ACC-8000](#)
- Rear Access Ladder..... [AAL Series](#)
- 8'-12' Conduit Carriers..... [CON Series](#)
- WorkPro LED Lighting..... [LED Series](#)
- Systems and Safety Components [RVS Series](#)
- Safety monitoring..... [DS2 Series](#)

USOV-VRBFTM-US01 Rev-A 1119

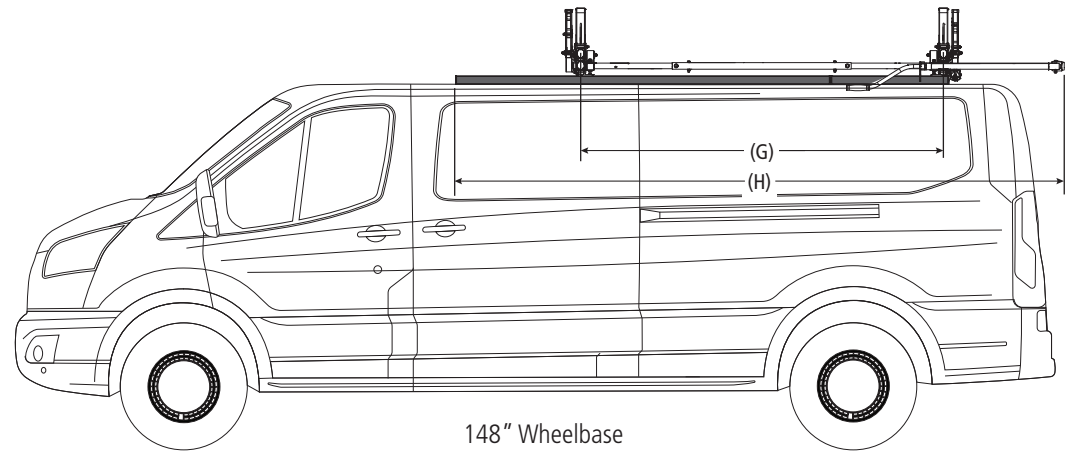


Rear Drive Shaft Offset: 24"

Note: The end of the driveshaft must not extend beyond the vehicle bumper



130" Wheelbase



148" Wheelbase