

PRIME DESIGN™

A Safe Fleet Brand

AR1906

AluRack Pickup, 5'–6' TAG

Configuration as shown:

Anodized Aluminum
Rack Weight (empty): 34 lbs

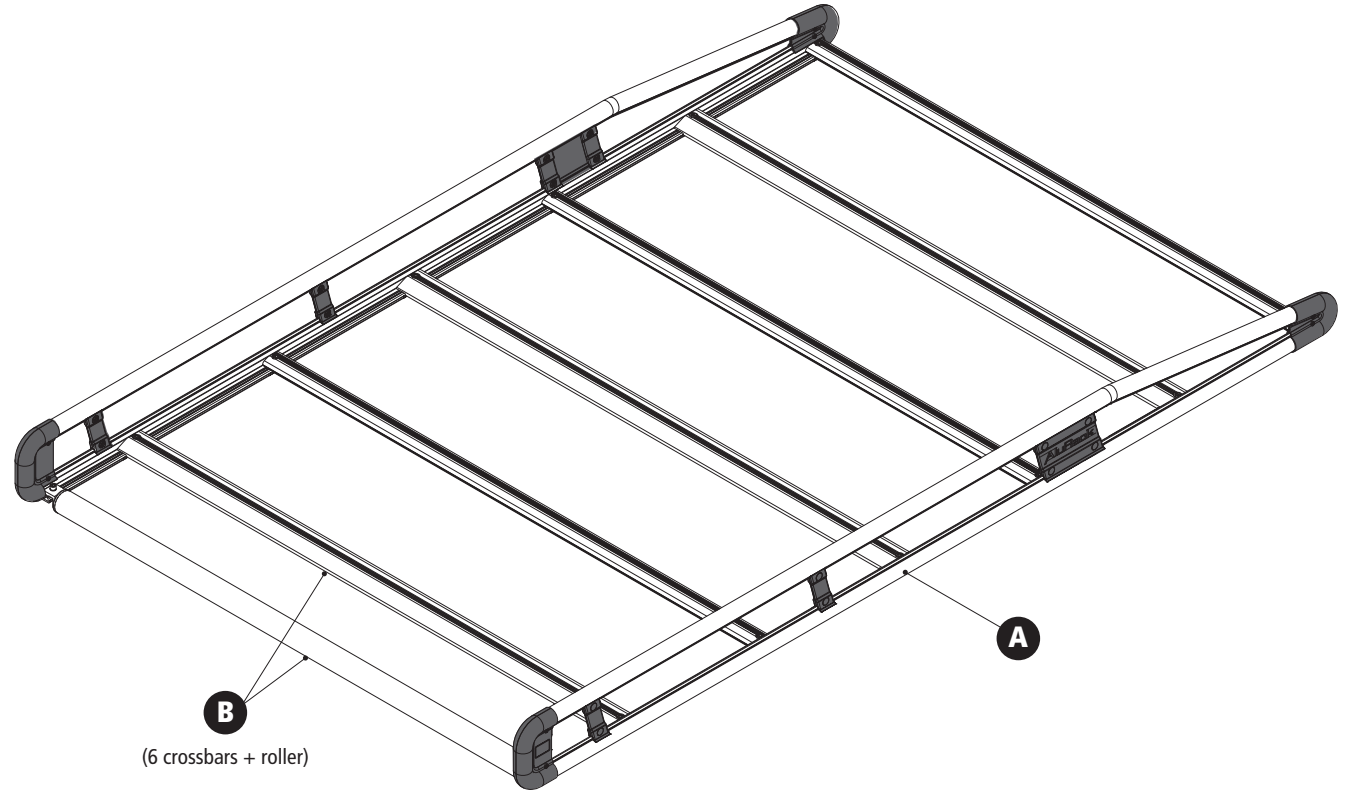
*Callouts in this Configuration Overview indicate full module assemblies only.

For details on individual parts, please refer to the linked Module Overviews below.

A: [AR-2101 84" Side Rail Feature](#)

B: [AR-2000 53" Crossbar Feature](#)

[Modular Assembly Manuals](#)



AluRack—Load specifications:

Check vehicle manufacturer recommendations for roof capacity weight limits.

AR1906

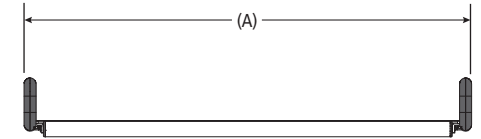
Pickup, 5'–6' TAG

Approximate dimensions as shown:

A: Rack Width	55"
B: Rack Length	88"
C: Rack Height	7.50"

Compatible Accessories Available (Sold Separately)

Ladder Clamp Down.....	ACX-AXC Series
Retractable Ratchet Tie-Down.....	ACC-8000
8'–12' Conduit Tubes	CON Series
WorkPro LED Lighting.....	LED Series
Systems and Safety Components	RVS Series
Safety monitoring.....	DS2 Series
Rear Access Ladder.....	AAL Series



Mounting width is set according to vehicle specifications

