

## HBR-E-FT-M

### ErgoRack, Ford Transit Mid/High Roof

Two Crossbars, Powder Coat Finish  
Rack Weight (empty): 81–88 lbs

\*Callouts in this Configuration Overview indicate full module assemblies only.

For details on individual parts, please refer to the linked Module Overviews below.

- A: ..... [FEA-0001 End Stop Assembly](#)
- B: ..... [FBM-1017-BLK Mounting System](#)
- C: ..... [CBR-0007 Crossbar Assembly](#)
- D: ..... [FEA-0003 Slide Rotation Assembly](#)
- E: ..... [FEA-0019 Rotation Driveshaft Assembly](#)

[Modular Assembly Manuals](#)

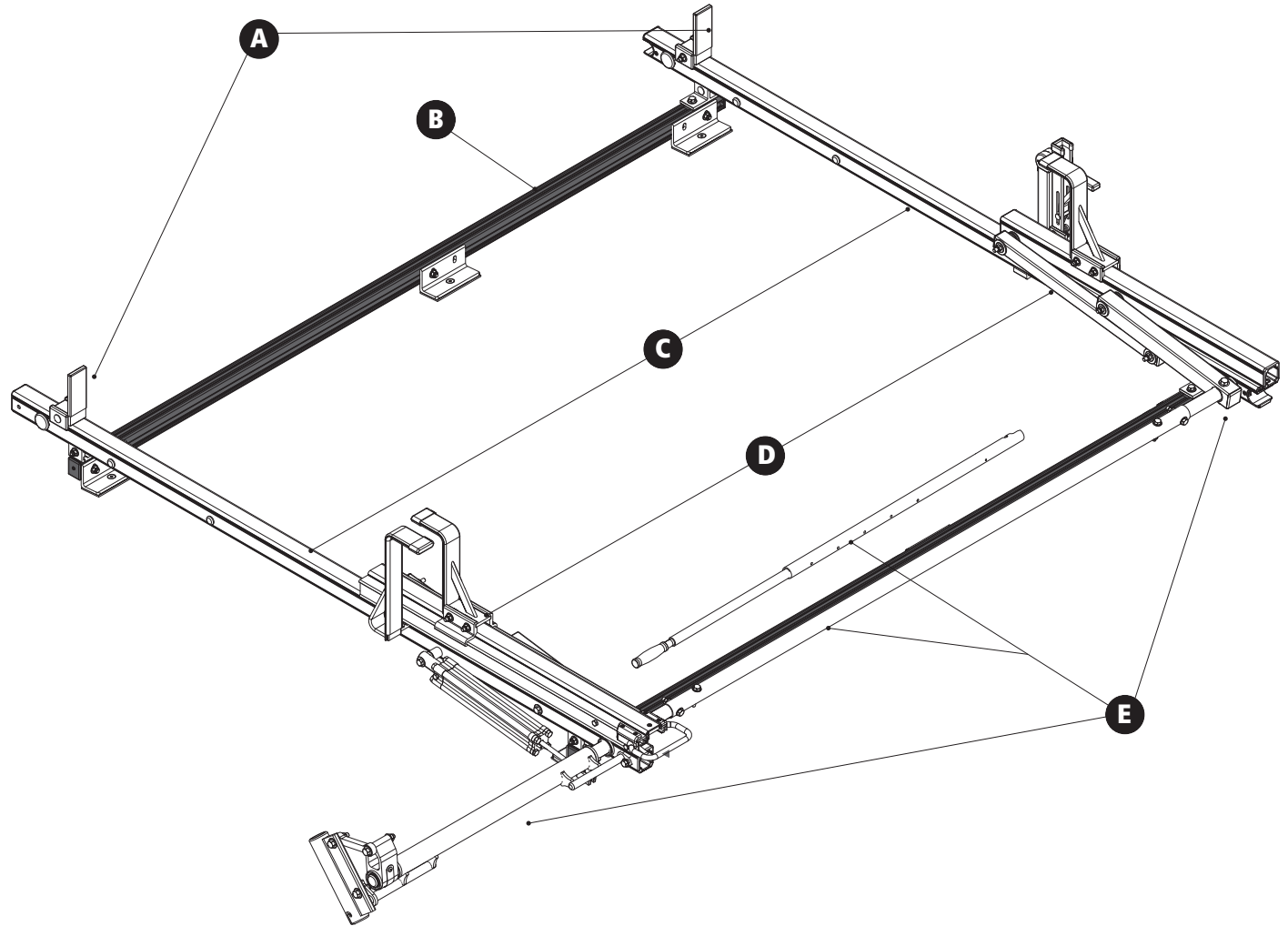
### ErgoRack Van—Load specifications:

Check vehicle manufacturer recommendations for roof capacity weight limits.

| CROSSBAR SPACING | STEP LADDER              | EXT. LADDER |
|------------------|--------------------------|-------------|
| 4 ft Spacing     | 6 – 8 ft.                | 16 – 20 ft. |
| 5 ft Spacing     | 8 – 10 ft.               | 16 – 24 ft. |
| 6 ft Spacing     | 8 – 12 ft. <sup>†</sup>  | 16 – 28 ft. |
| 7 ft Spacing     | 10 – 12 ft. <sup>†</sup> | 20 – 32 ft. |
| 8 ft Spacing     | 10 – 12 ft. <sup>†</sup> | 20 – 36 ft. |

<sup>†</sup>Rotation Configurations: 12 ft. step ladders require an extended upper add-on component.

\*Example shown with 130" Wheelbase Configuration



## HBR-E-FT-M

### ErgoRack, Ford Transit Mid Roof

Approximate dimensions as shown:

#### All Wheelbases

|                                     |        |
|-------------------------------------|--------|
| A: Rack Width .....                 | 76"    |
| B: Rack Height .....                | 16.50" |
| C: Rear Crossbar Offset (Left)..... | 8"     |
| D: Mount Bolt Spacing L/R.....      | 54"    |

#### 130" Wheelbase

|                                |      |
|--------------------------------|------|
| E: Total Crossbar Spacing..... | 6'   |
| F: Rack Length .....           | 105" |

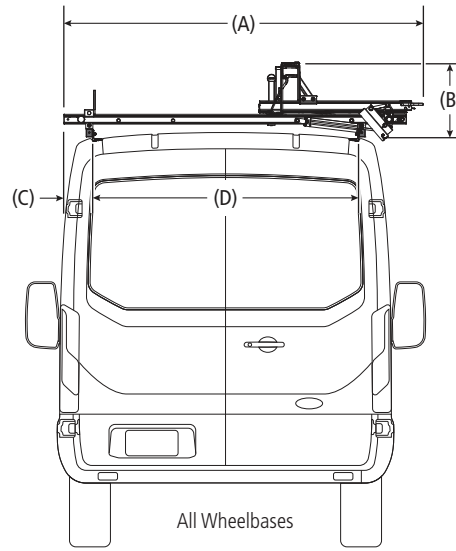
#### 148" Wheelbase

|                                |       |
|--------------------------------|-------|
| G: Total Crossbar Spacing..... | 6'–8' |
| H: Rack Length.....            | 129"  |

#### Compatible Accessories Available

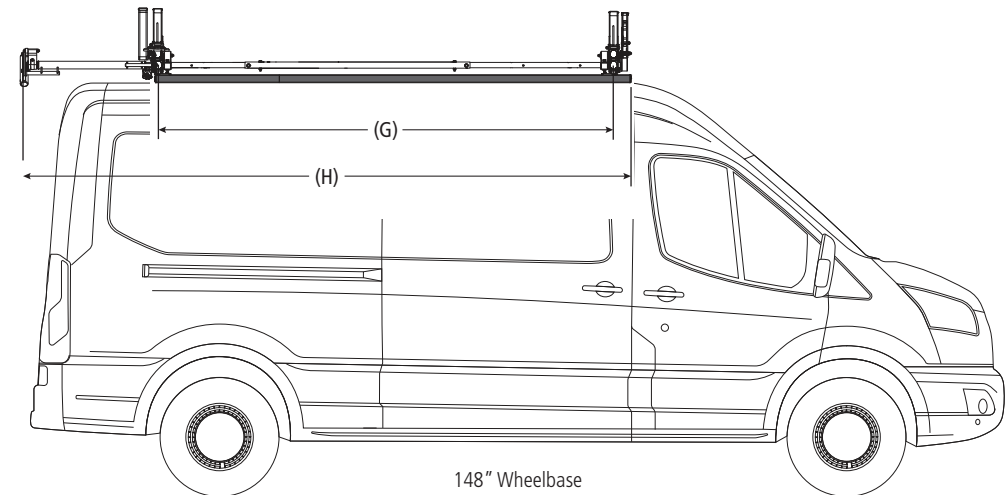
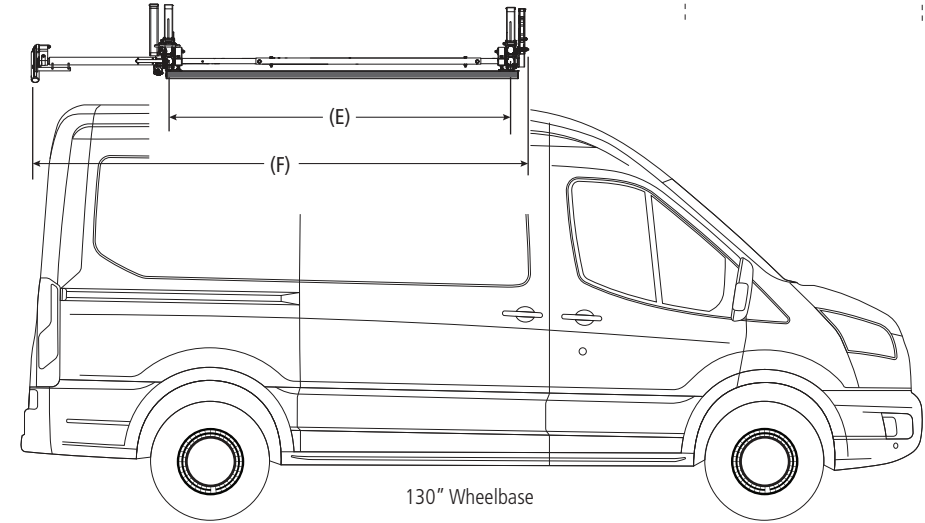
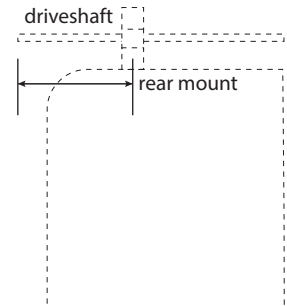
(Sold Separately)

|                                     |                            |
|-------------------------------------|----------------------------|
| Retractable Ratchet Tie-Down.....   | <a href="#">ACC-8000</a>   |
| Rear Access Ladder.....             | <a href="#">AAL Series</a> |
| 8'–12' Conduit Carriers.....        | <a href="#">CON Series</a> |
| WorkPro LED Lighting.....           | <a href="#">LED Series</a> |
| Systems and Safety Components ..... | <a href="#">RVS Series</a> |
| Safety monitoring.....              | <a href="#">DS2 Series</a> |



Rear Drive Shaft Offset: 29"

Note: The end of the driveshaft must not extend beyond the vehicle bumper



# PRIME DESIGN™

A Safe Fleet Brand

## HBR-E-FT-M

### ErgoRack, Ford Transit High Roof

Approximate dimensions as shown:

#### All Wheelbases

|                                     |        |
|-------------------------------------|--------|
| A: Rack Width .....                 | 76"    |
| B: Rack Height .....                | 16.50" |
| C: Rear Crossbar Offset (Left)..... | 8"     |
| D: Mount Bolt Spacing L/R.....      | 54"    |

#### 130" Wheelbase

|                                |      |
|--------------------------------|------|
| E: Total Crossbar Spacing..... | 6'   |
| F: Rack Length .....           | 105" |

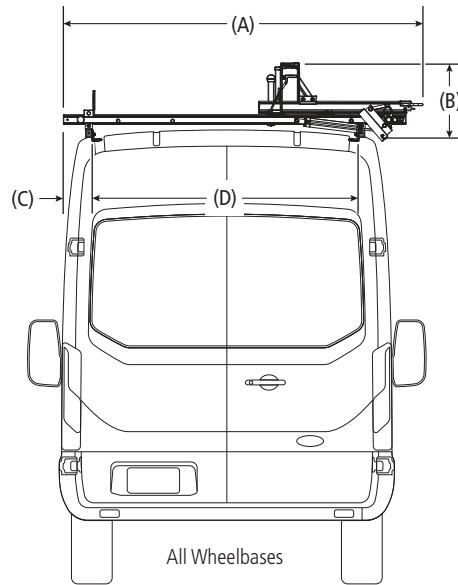
#### 148" Wheelbase

|                                 |       |
|---------------------------------|-------|
| G: Total Crossbar Spacing ..... | 6'–8' |
| H: Rack Length.....             | 129"  |

#### Compatible Accessories Available

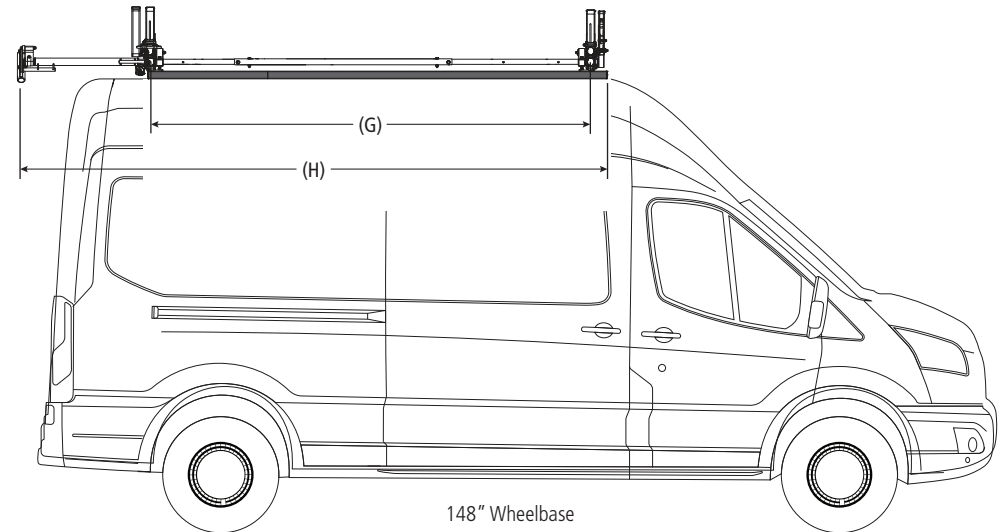
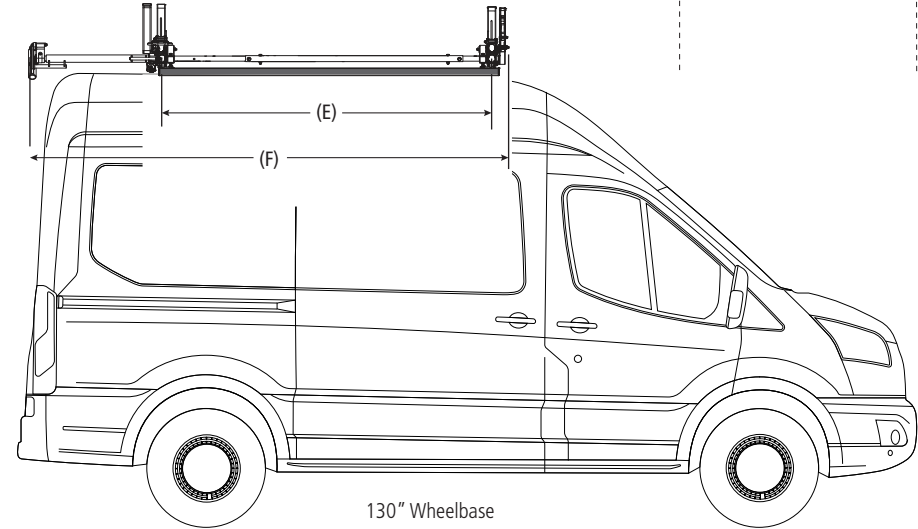
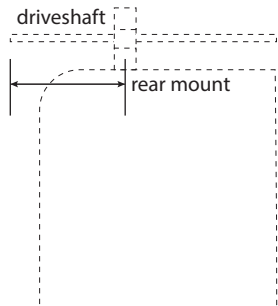
(Sold Separately)

|                                     |                            |
|-------------------------------------|----------------------------|
| Retractable Ratchet Tie-Down.....   | <a href="#">ACC-8000</a>   |
| Rear Access Ladder.....             | <a href="#">AAL Series</a> |
| 8'–12' Conduit Carriers.....        | <a href="#">CON Series</a> |
| WorkPro LED Lighting.....           | <a href="#">LED Series</a> |
| Systems and Safety Components ..... | <a href="#">RVS Series</a> |
| Safety monitoring.....              | <a href="#">DS2 Series</a> |



Rear Drive Shaft Offset: 29"

Note: The end of the driveshaft must not extend beyond the vehicle bumper



## HBR-E-FT-M

### ErgoRack, Ford Transit High Roof

Approximate dimensions as shown:

#### All Wheelbases

- A: Rack Width ..... 76"
- B: Rack Height ..... 16.50"
- C: Rear Crossbar Offset (Left)..... 8"
- D: Mount Bolt Spacing L/R..... 54"

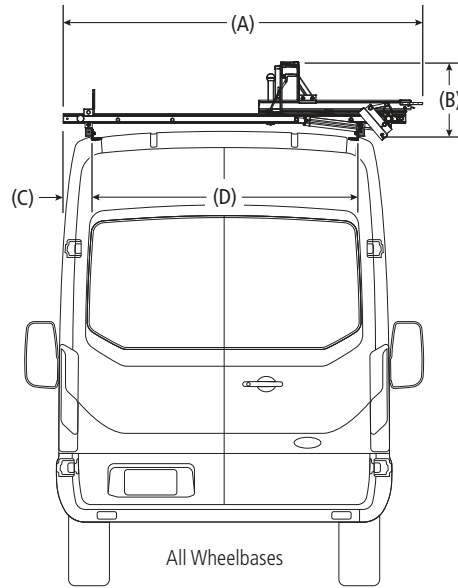
#### 148" Extended Wheelbase

- E: Total Crossbar Spacing..... 8'
- F: Rack Length ..... 144"

#### Compatible Accessories Available

(Sold Separately)

- Retractable Ratchet Tie-Down ..... [ACC-8000](#)
- Rear Access Ladder..... [AAL Series](#)
- 8'–12' Conduit Carriers..... [CON Series](#)
- WorkPro LED Lighting..... [LED Series](#)
- Systems and Safety Components ..... [RVS Series](#)
- Safety monitoring..... [DS2 Series](#)



Rear Drive Shaft Offset: 29"

Note: The end of the driveshaft must not extend beyond the vehicle bumper

