

VCB-TC-M

ErgoRack, Transit Connect

Two Crossbars, Powder Coat Finish
Rack Weight (empty): 38 lbs

*Callouts in this Configuration Overview indicate full module assemblies only.

For details on individual parts, please refer to the linked Module Overviews below.

- A: [FEA-0001 End Stop Assembly](#)
- B: [FBM-1012-BLK Mounting System](#)
- C: [CBR-0001 Crossbar Assembly](#)
- D: [FEA-0008 Clamp Down Assembly](#)

[Modular Assembly Manuals](#)

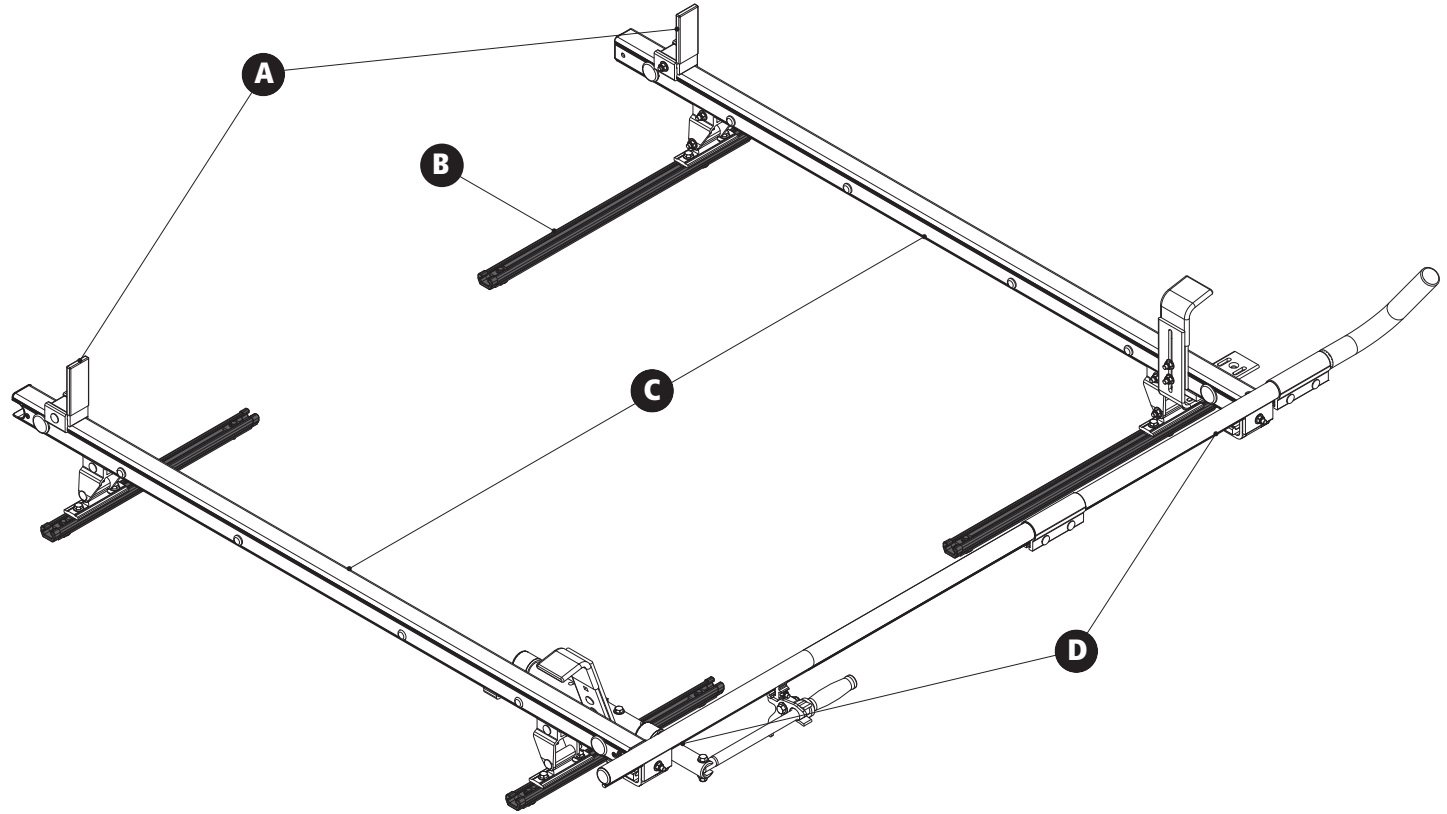
ErgoRack Van—Load specifications:

Check vehicle manufacturer recommendations for roof capacity weight limits.

| CROSSBAR SPACING | STEP LADDER | EXT. LADDER |
|------------------|--------------------------|-------------|
| 4 ft Spacing | 6 – 8 ft. | 16 – 20 ft. |
| 5 ft Spacing | 8 – 10 ft. | 16 – 24 ft. |
| 6 ft Spacing | 8 – 12 ft. [†] | 16 – 28 ft. |
| 7 ft Spacing | 10 – 12 ft. [†] | 20 – 32 ft. |
| 8 ft Spacing | 10 – 12 ft. [†] | 20 – 36 ft. |

[†]Rotation Configurations: 12 ft. step ladders require an extended upper add-on component.

*Example shown with 105" Wheelbase Configuration



VCB-TC-M

ErgoRack, Transit Connect

Approximate dimensions as shown:

All Wheelbases

| | |
|-------------------------------------|----------------|
| A: Rack Width | 66" |
| B: Rack Height | 14" |
| C: Rear Crossbar Offset (L&R) | Even |
| D: Mount Spacing L/R..... | Set at install |

105" Wheelbase

| | |
|--------------------------------|-----|
| E: Total Crossbar Spacing..... | 5' |
| F: Rack Length | 83" |

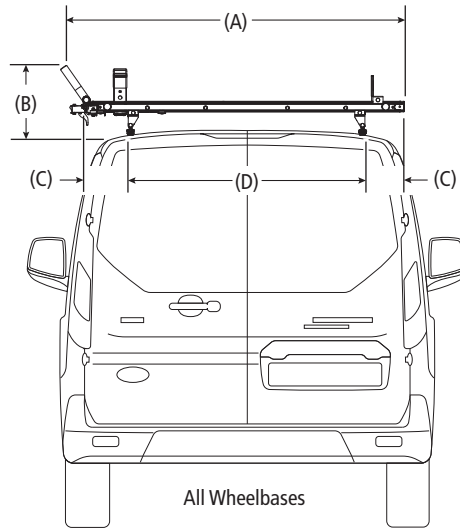
121" Wheelbase

| | |
|--------------------------------|-----|
| G: Total Crossbar Spacing..... | 6' |
| H: Rack Length..... | 95" |

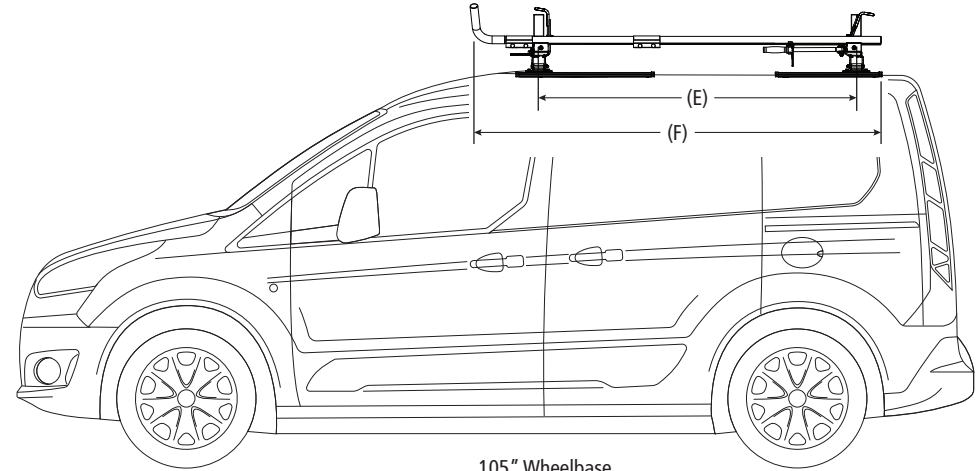
Compatible Accessories Available

(Sold Separately)

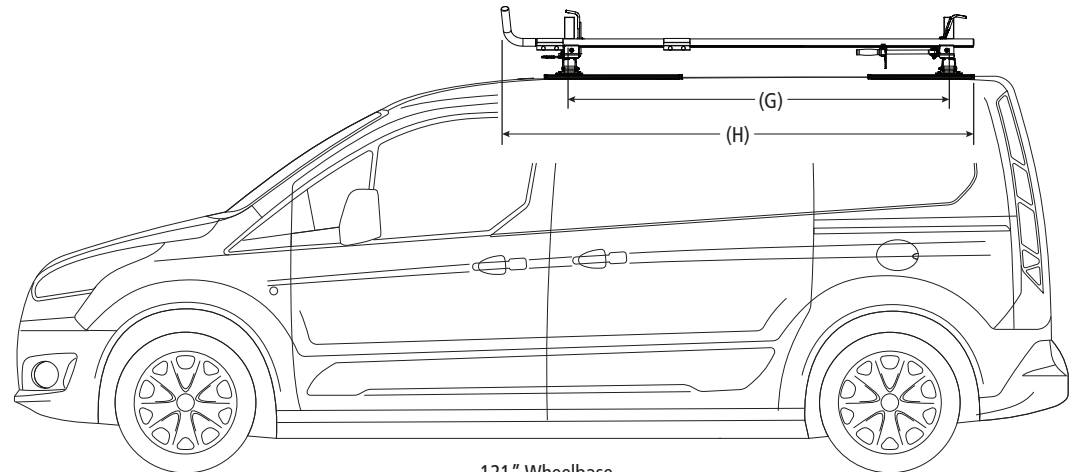
| | |
|-------------------------------------|----------------------------|
| Retractable Ratchet Tie-Down..... | ACC-8000 |
| 8'-12' Conduit Carriers..... | CON Series |
| WorkPro LED Lighting..... | LED Series |
| Systems and Safety Components | RVS Series |
| Safety monitoring..... | DS2 Series |



All Wheelbases



105" Wheelbase



121" Wheelbase