

HRR-E-UM3-M

Utility Direct Mount Series

HRR-E-UM-90-M configuration shown for illustrative purposes

Module Assemblies:

A: Mounting System[FBM-1029-BLK](#)

B: Rotation Drive Shaft Assembly (LH)[FEA-0020](#)

C: Slide Rotation Assembly (LH)[FEA-0004](#)

D: Crossbar Assembly Sizes per Rack Configuration:

HRR-E-UM3-72-M:.....[CBR-0007](#)

HRR-E-UM3-78-M:.....[CBR-0005](#)

HRR-E-UM3-84-M:.....[CBR-0016](#)

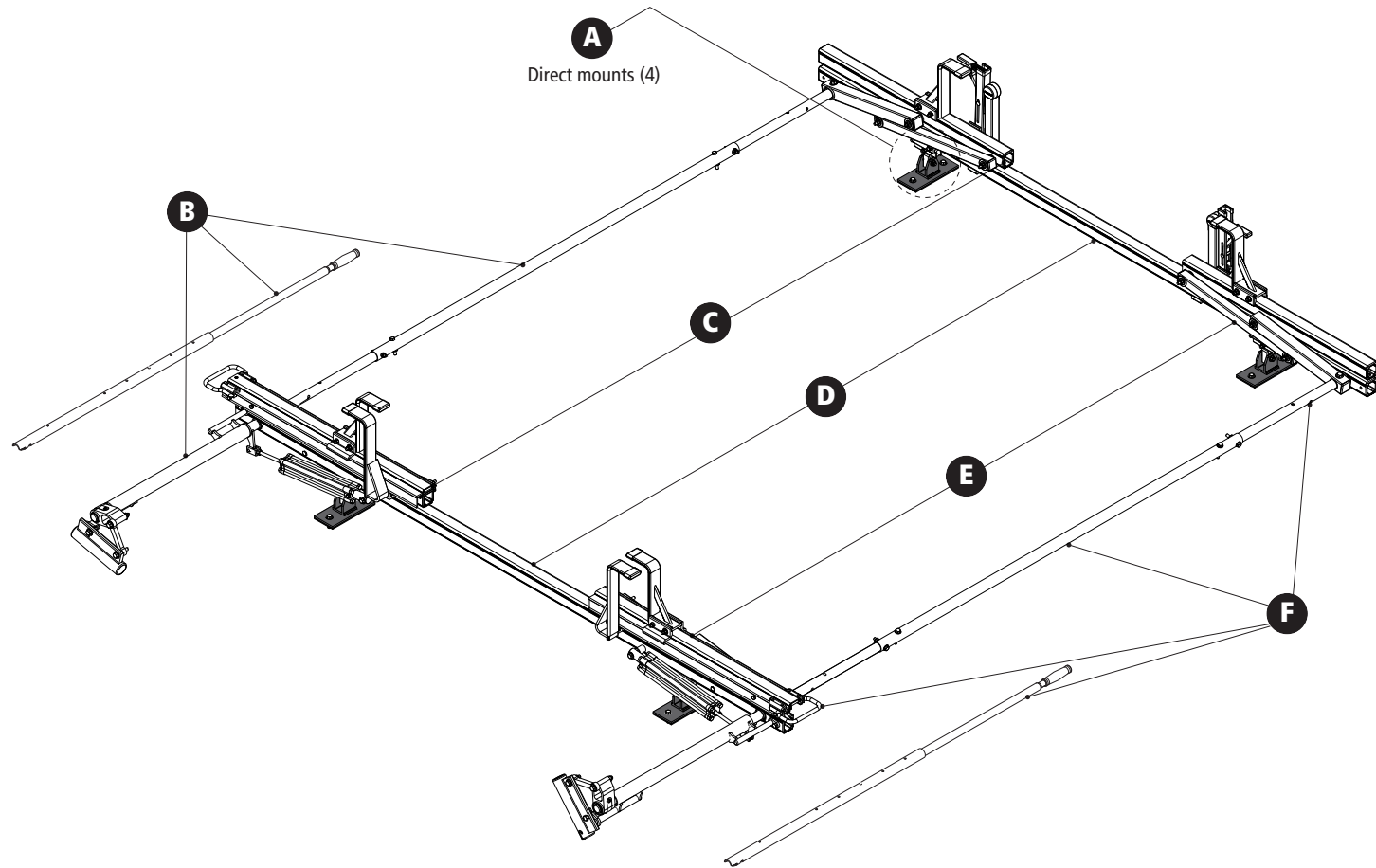
HRR-E-UM3-90-M:.....[CBR-0018](#)

HRR-E-UM3-99-M:.....[CBR-0020](#)

E: Slide Rotation Assembly (RH)[FEA-0003](#)

F: Rotation Drive Shaft Assembly (RH)[FEA-0019](#)

*Callouts in this Configuration Overview indicate full module assemblies only. For details on individual parts, please refer to the linked Module Overviews.



HRR-E-UM3-M

Utility Direct Mount Series

HRR-E-UM-90-M configuration shown for illustrative purposes

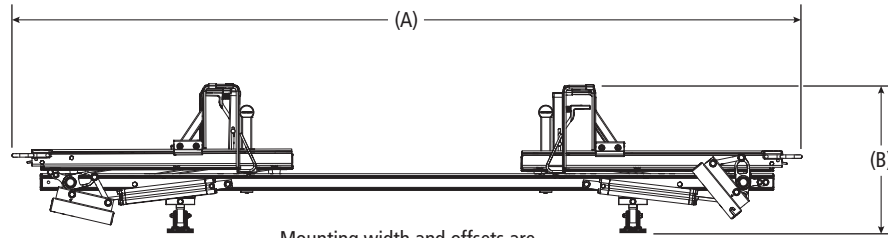
Approximate dimensions as shown:

- A: Total Rack Widths per Configuration:
- HRR-E-UM3-72-M:..... 78"
 - HRR-E-UM3-78-M: 84"
 - HRR-E-UM3-84-M: 90"
 - HRR-E-UM3-90-M:..... 96"
 - HRR-E-UM3-99-M: 102"
- B: Rack Height 18"
- C: Crossbar Spacing 6'–8'
- D: Rack Length..... 105" – 129"

Compatible Accessories Available

(Sold Separately)

- Conduit Carriers.....[CON Series](#)
- WorkPro LED Lighting.....[LED Series](#)
- Systems and Safety Components[RVS Series](#)
- Safety monitoring.....[DS2 Series](#)



Mounting width and offsets are determined by Vehicle Specifications

