

OTC-8000

Over The Cab Material Rack 8'–11' Body; Regular, Crew, and Extended Cabs

Dimensional Specifications on Pages 2

Configuration as shown:

Three Crossbar Mounting

(standard):

Side Rail Module

Base Mount

Crossbar Module

Rack Weight (empty): 127 lbs

Four Crossbar Mounting

(non-standard, not shown):

Side Rail Module

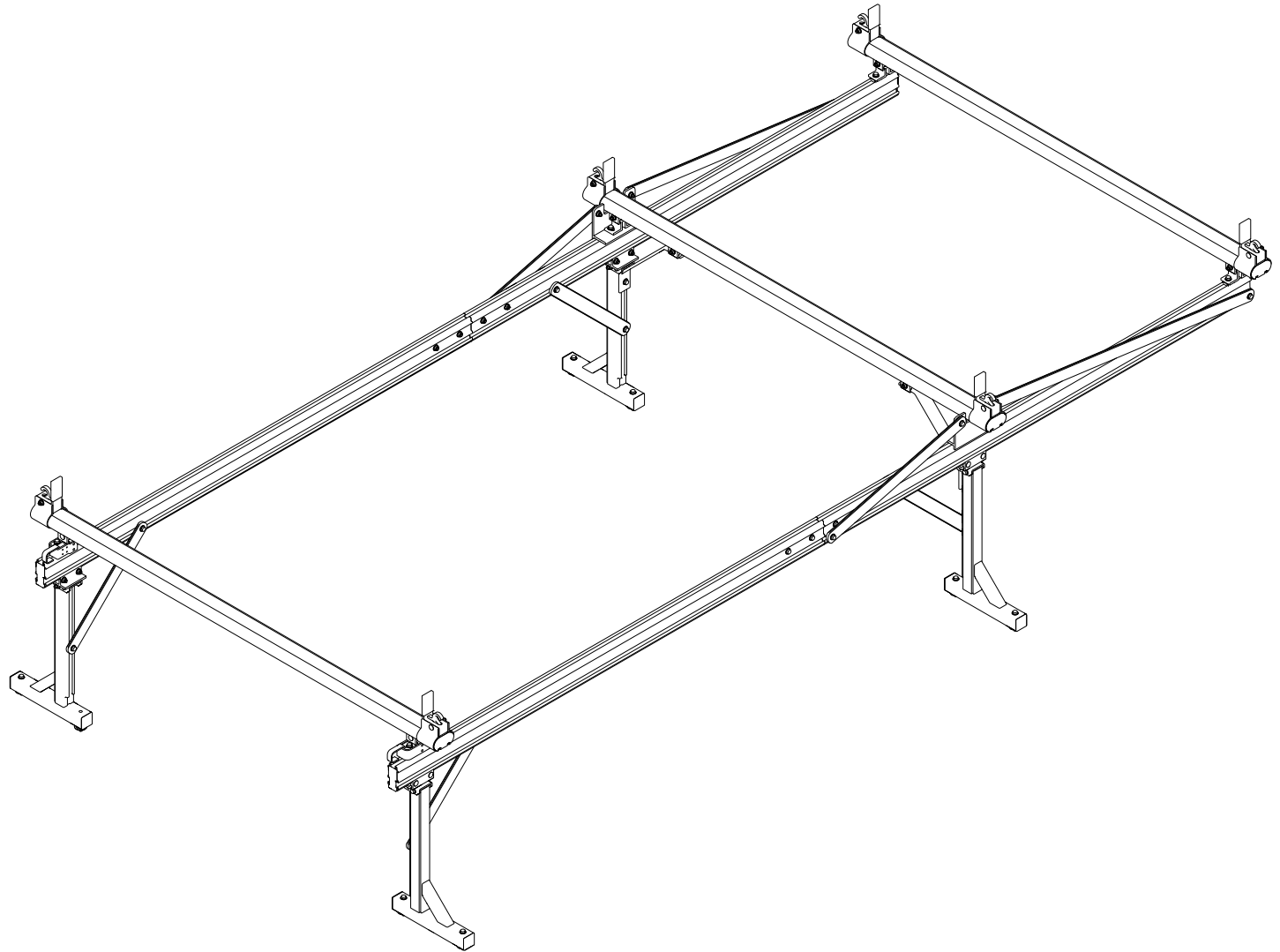
Base Mount

Crossbar Module

Add-on Crossbar Module

Rack Weight (empty): 136 lbs

**Example shown with 8' Configuration*



**Note: This Overview contains information covering three and four Crossbar configurations. If your model is a three Crossbar configuration, disregard all Add-on Crossbar Hardware and dimensions.*

OTC-8000

Over The Cab Material Rack 8'–11' Body; Regular, Crew, and Extended Cabs

Approximate dimensions as shown:

Universal Dimensions

- A: Rack Width 68"
- B: Rack Height 34"
- C: Mount Spacing (L/R)..... Variable

OTC-8001: 8' & 9' Body; Regular Cab

- D: Rear Side Rail Length 72"
- E: Front Side Rail Length..... 72"
- F: Mount Spacing (R/F) 93.25"

OTC-8002: 8' & 9' Body; Crew and Extended Cab

- D: Rear Side Rail Length 84"
- E: Front Side Rail Length..... 72"
- F: Mount Spacing (R/F) 93.25"–105.25"

OTC-8003: 8' & 9' Body; Reg, Crew, and Extended Cab

- D: Rear Side Rail Length 84"
- E: Front Side Rail Length..... 72"
- F: Mount Spacing (R/F) 117"

