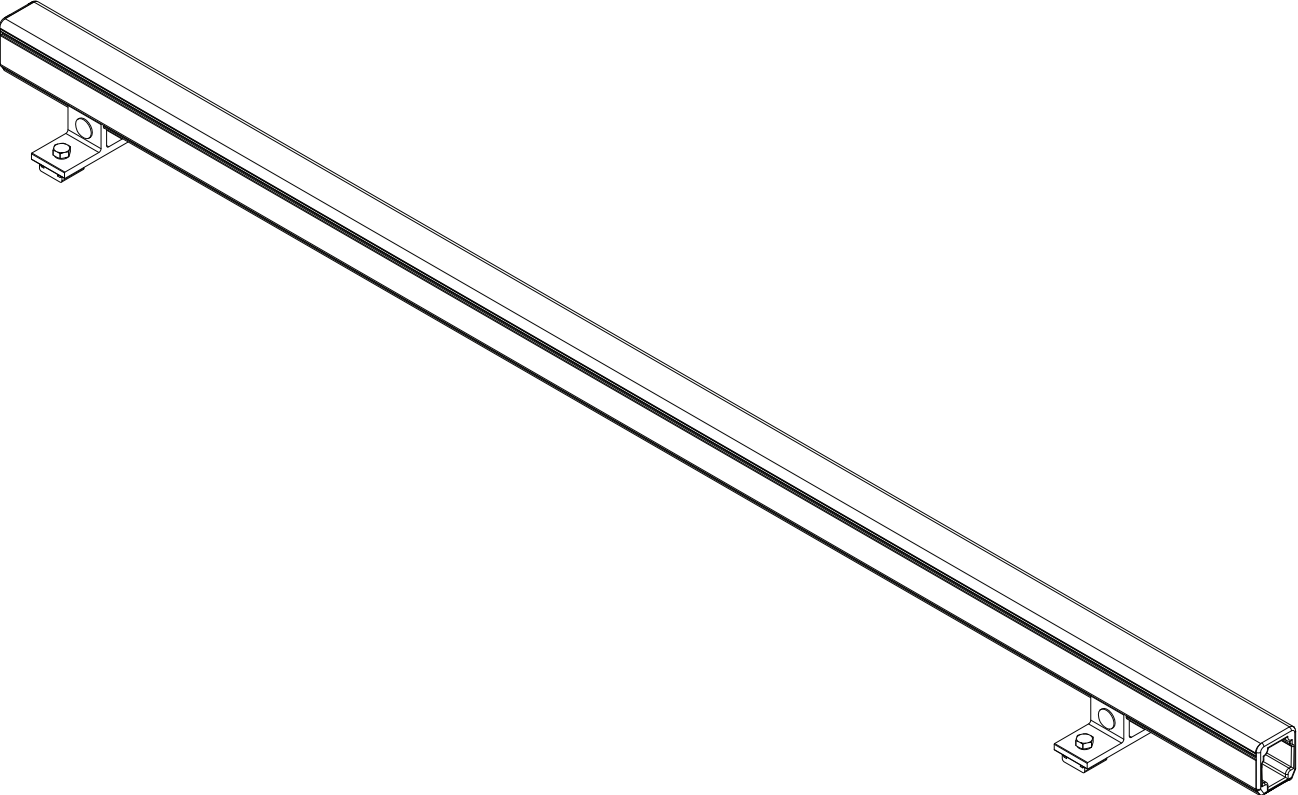


PRIME DESIGN™

A Safe Fleet Brand



0010
CBR

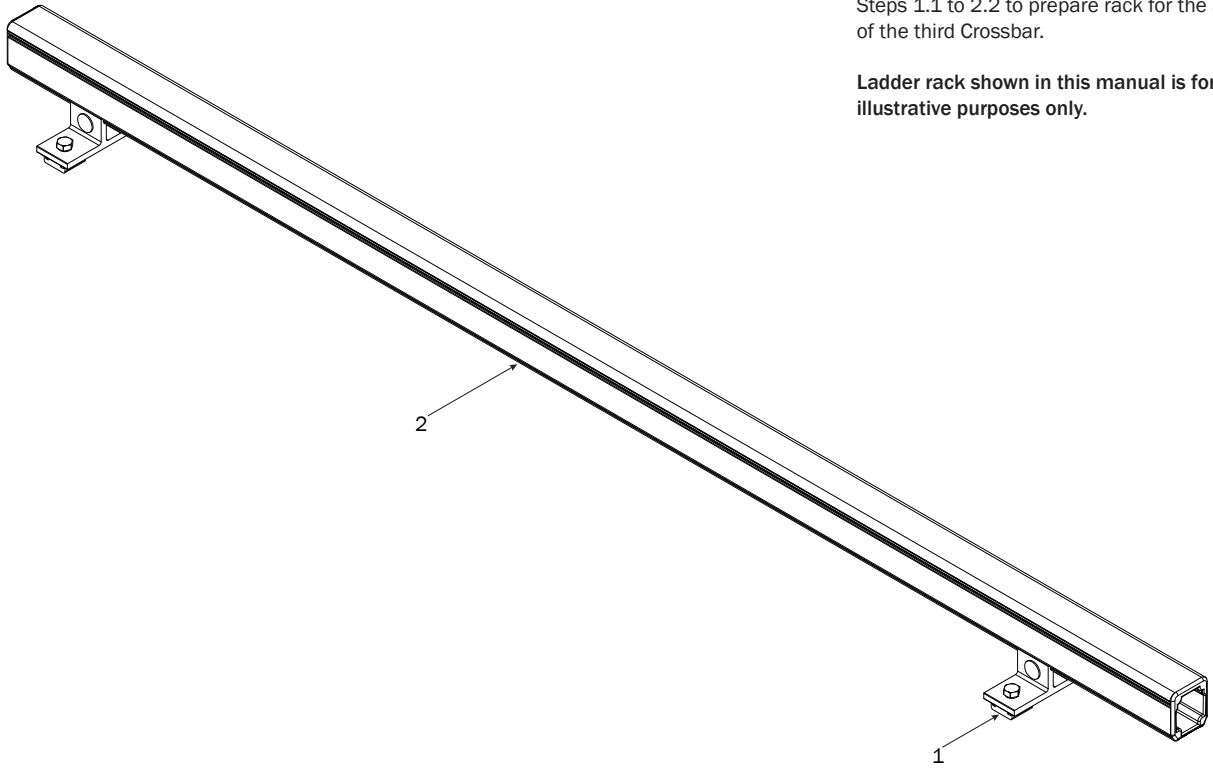
CONTENTS OVERVIEW



Note: This modular Crossbar kit can be installed as a retrofit conversion or new install.

For the retrofit conversion from a completed two Crossbar rack to a three Crossbar rack: perform Steps 1.1 to 2.2 to prepare rack for the addition of the third Crossbar.

Ladder rack shown in this manual is for illustrative purposes only.



1—Mounting Brackets..... (Qty 2)

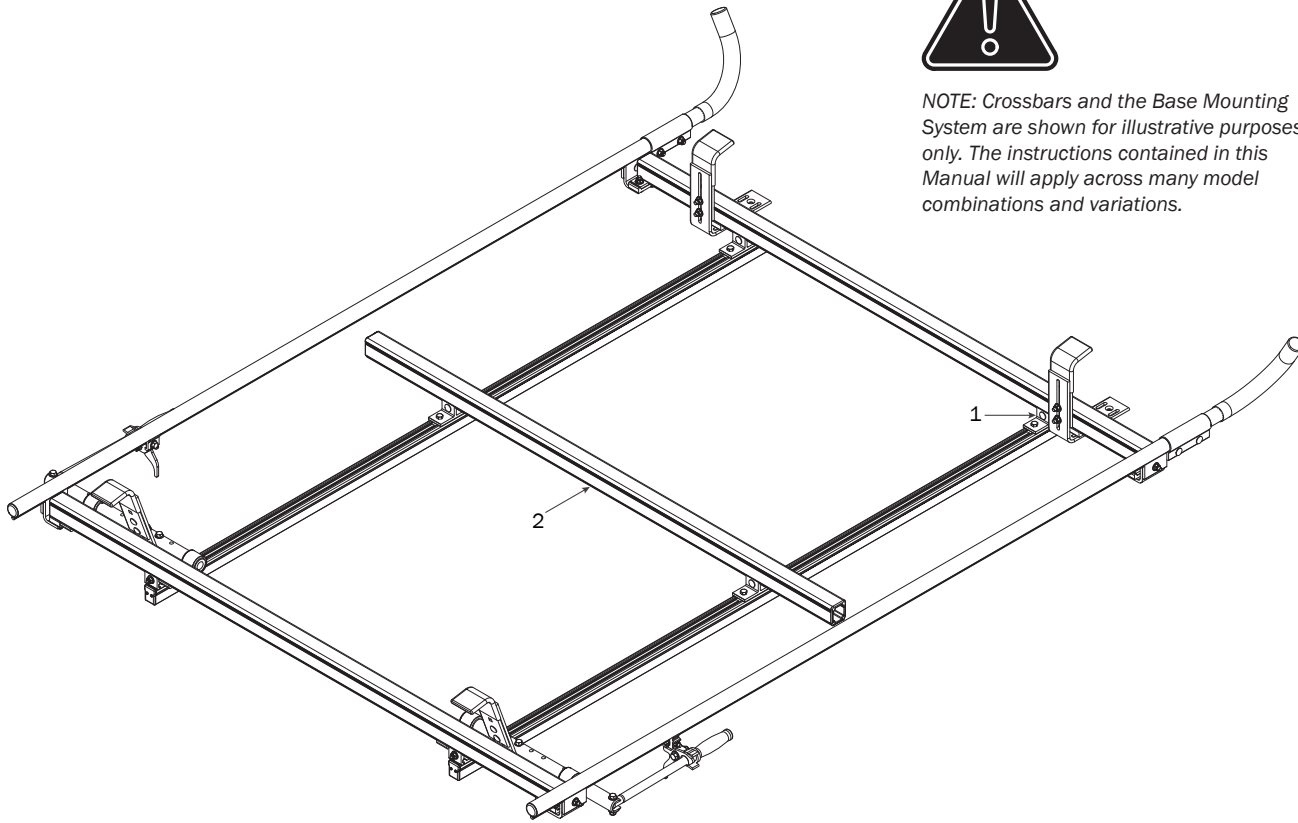
2—Crossbar..... (Qty 1)
57.00"



CROSSBAR RETROFIT SEQUENCE

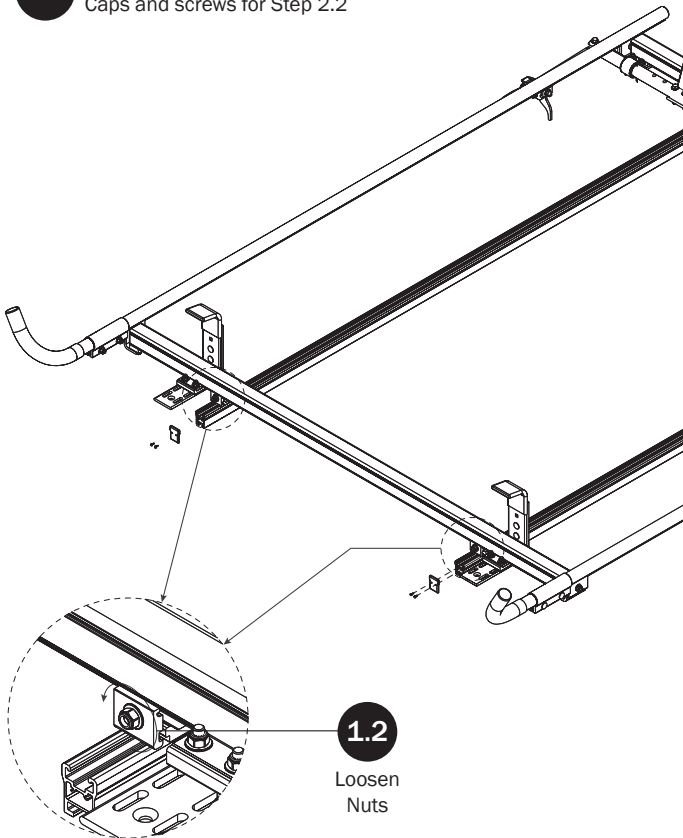


NOTE: Crossbars and the Base Mounting System are shown for illustrative purposes only. The instructions contained in this Manual will apply across many model combinations and variations.



FRONT MOUNTING BRACKETS

1.1 Remove and retain Channel End Caps and screws for Step 2.2



CENTER CROSSBAR

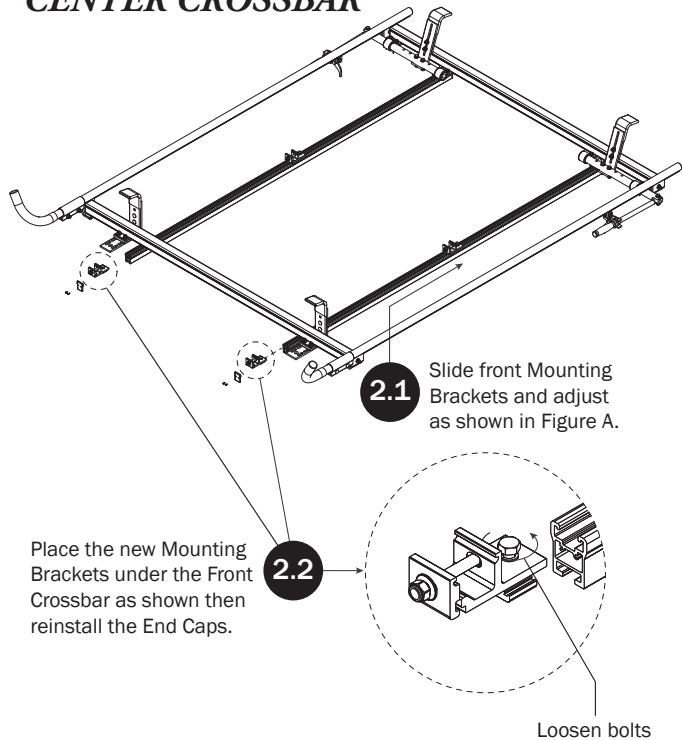
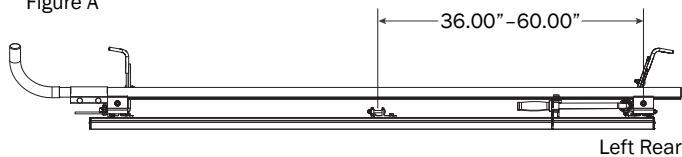
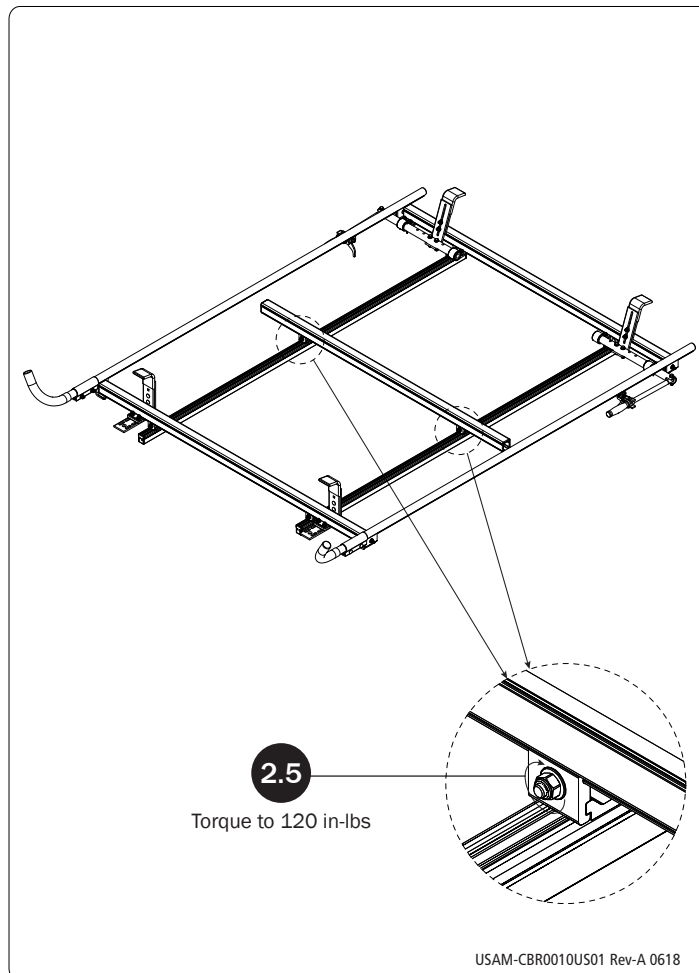
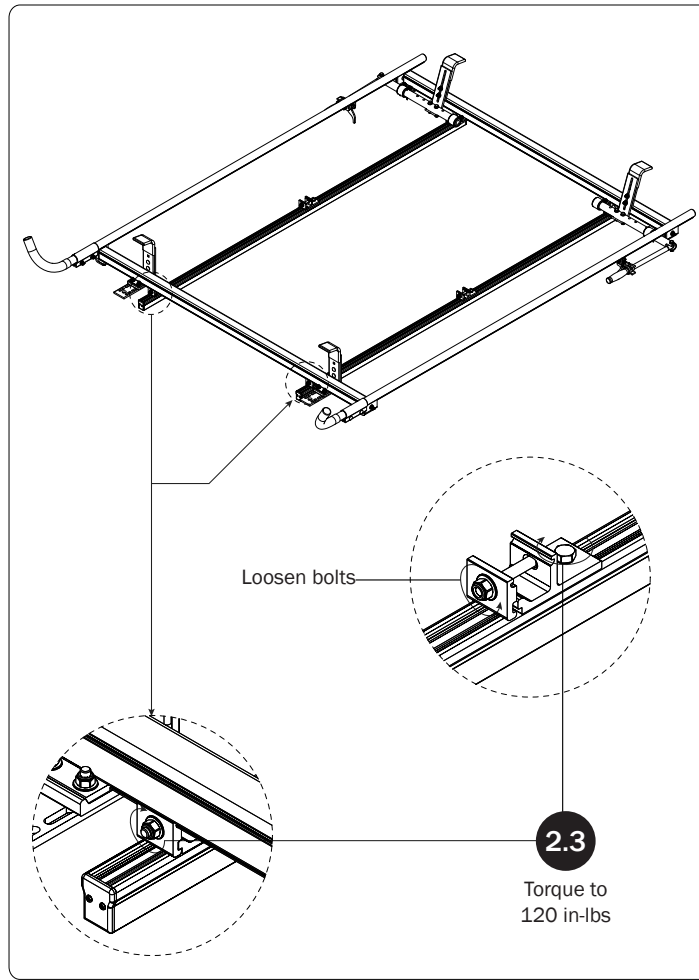


Figure A





2.4 Place the Center Crossbar onto the Mounting Brackets, then position as shown in Figure B.

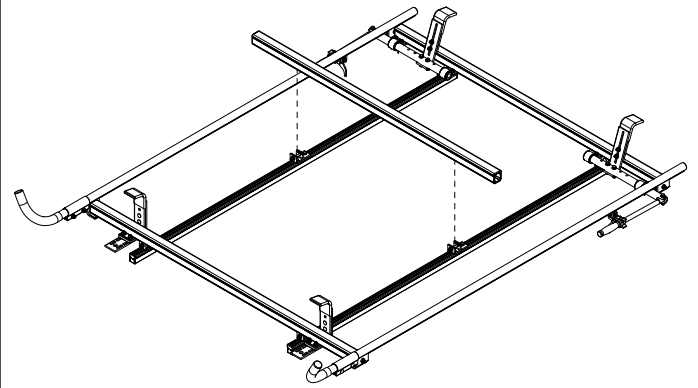


Figure B

