

## CBR-0022

### Middle Crossbar Module

Dimensional Specifications on Page 2

*Configuration as shown:*

Rotation Left, Powder Coat Finish

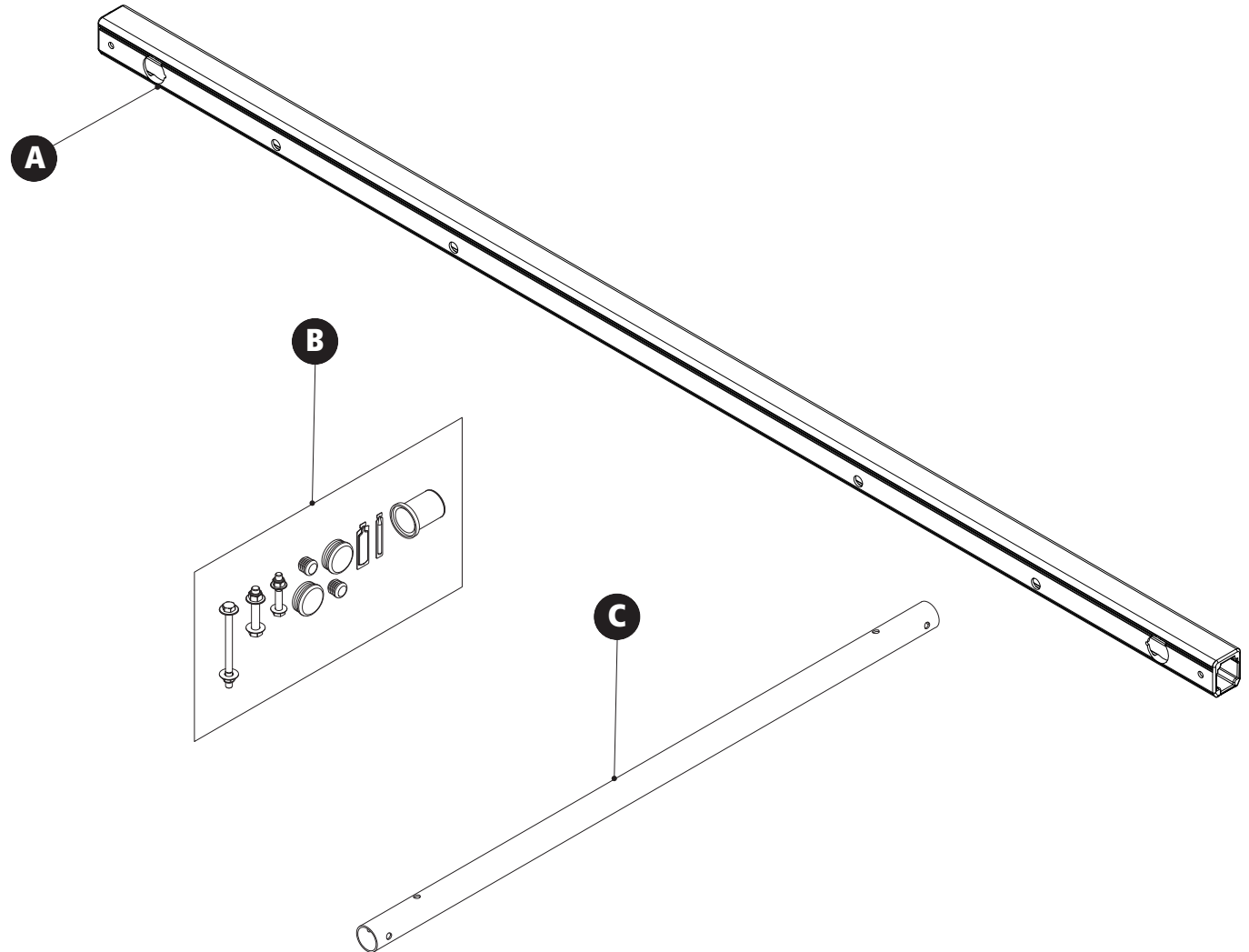
Weight: 12 lbs

A: ..... Middle Crossbar

B: ..... HKT-8407 Hardware Kit

C: ..... 3' Connecting Bar Feature

[Modular Assembly Manuals](#)



## CBR-0022

### Middle Crossbar Module

*Approximate dimensions as shown:*

- A: Crossbar Width ..... 1.75"
- B: Connecting Bar Length ..... 35.50"
- C: Crossbar Length ..... 72"

