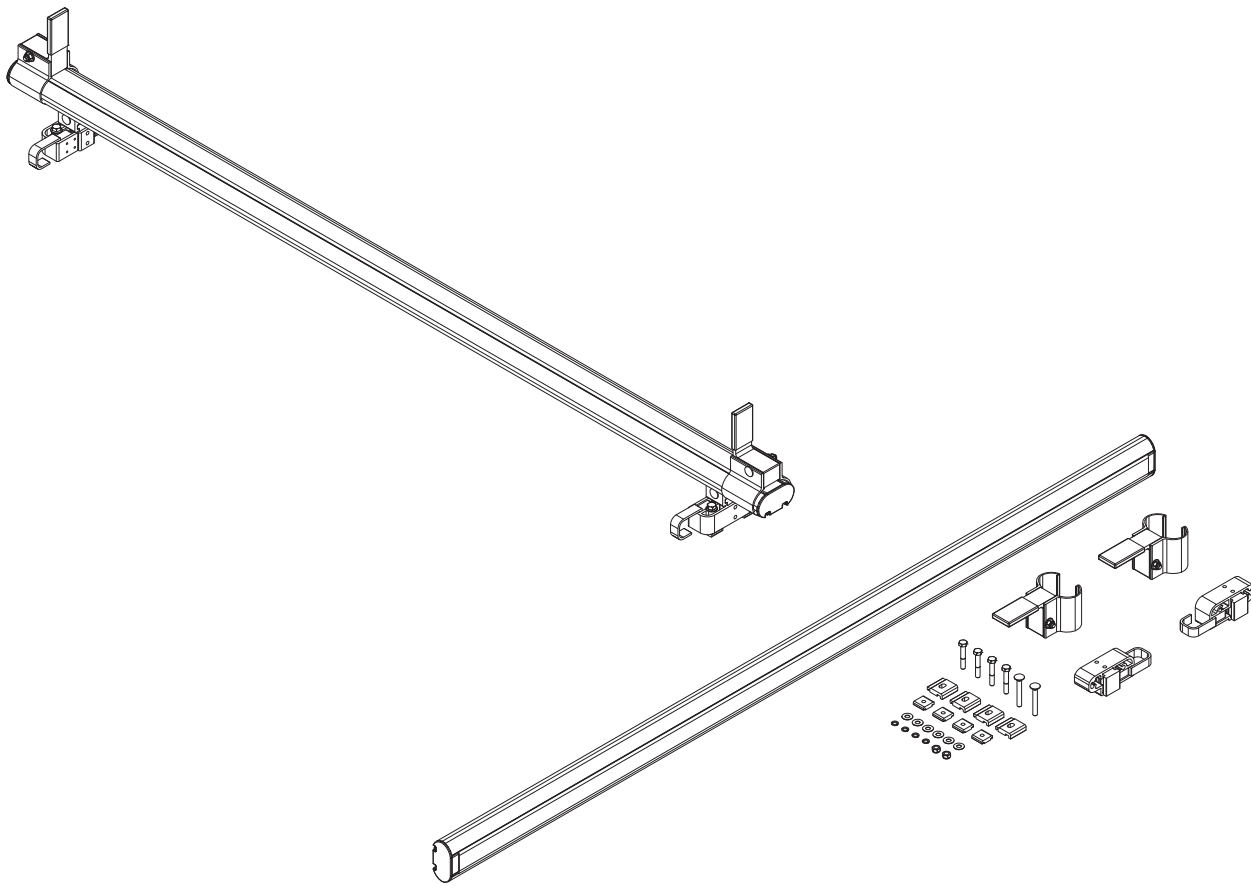


PRIME DESIGN™

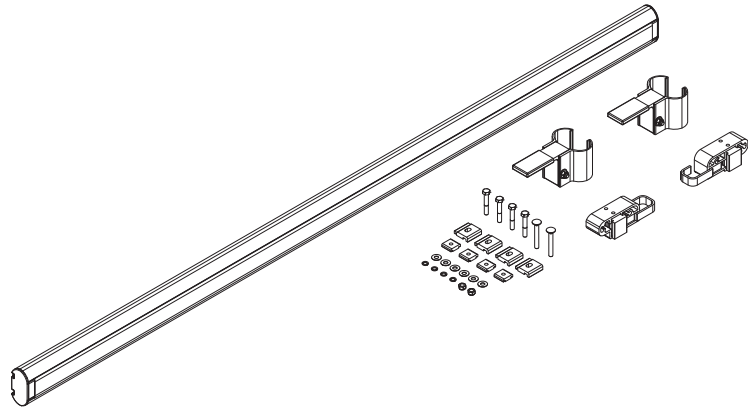
A Safe Fleet Brand



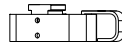
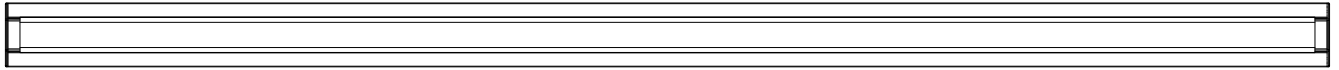
OVER THE CAB ADD-ON CROSSBAR

OCM-3032

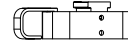
CONTENTS OVERVIEW



Pickup Crossbar (Qty 1)
67.00", with Caps and Hardware



LH Removable
Crossbar Mount (1X)

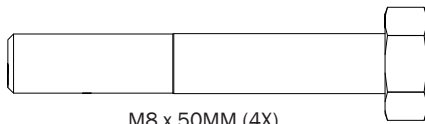


RH Removable
Crossbar Mount (1X)

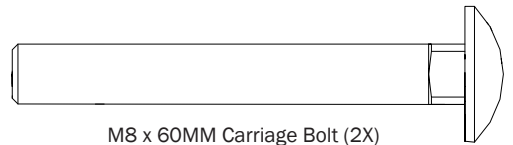


End Stop (2X)

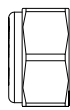
HKT-0183 Removable Crossbar Hardware Kit



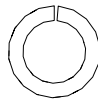
M8 x 50MM (4X)



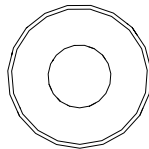
M8 x 60MM Carriage Bolt (2X)



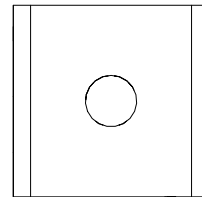
M8 Lock Nut (2X)



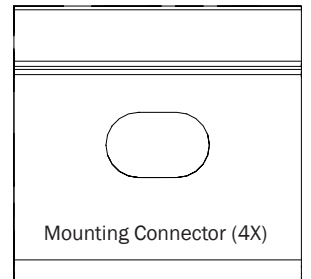
Lock Washer (4X)



5/16" Flat Washer (6X)



M8 Nut Bracket (4X)



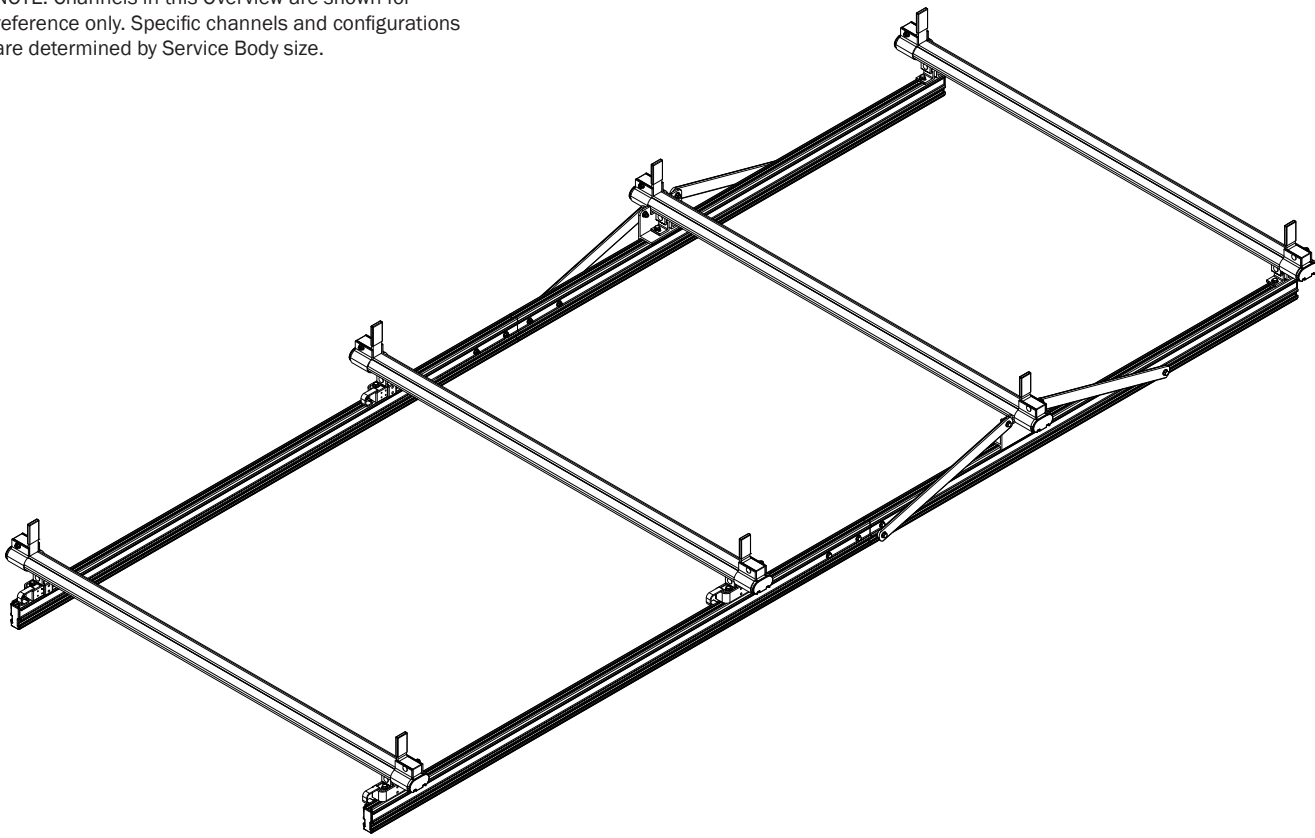
Mounting Connector (4X)



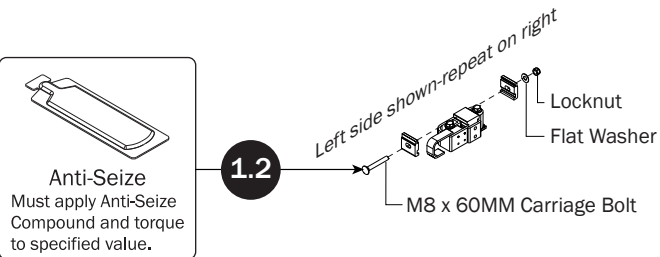
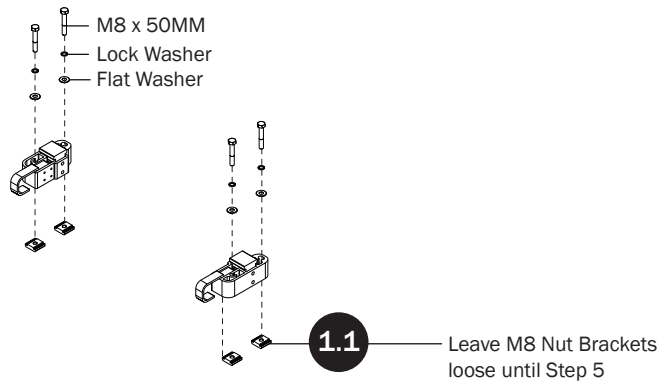
Anti-Seize

ASSEMBLY INSTRUCTIONS

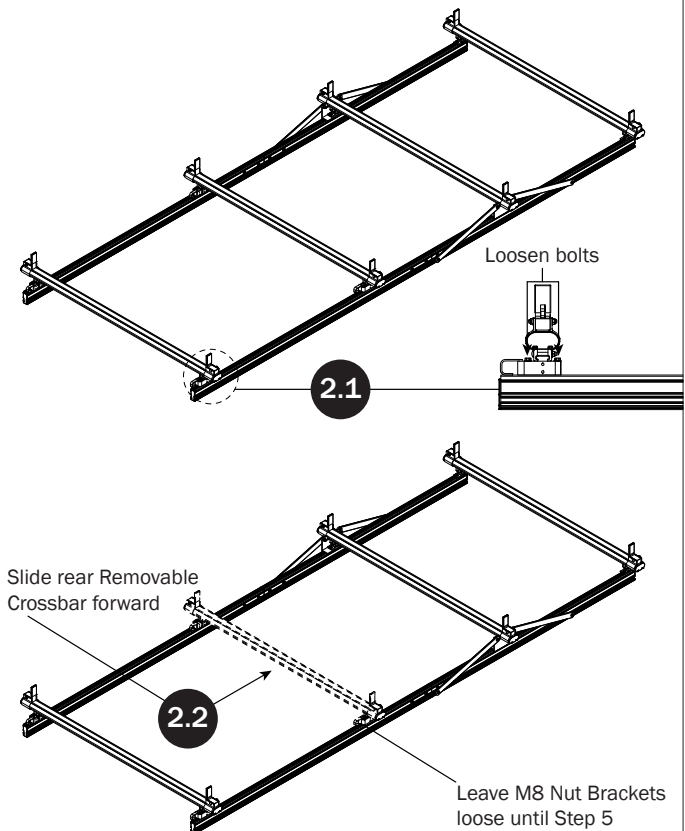
NOTE: Channels in this Overview are shown for reference only. Specific channels and configurations are determined by Service Body size.



CROSSBAR MOUNT BUILDS

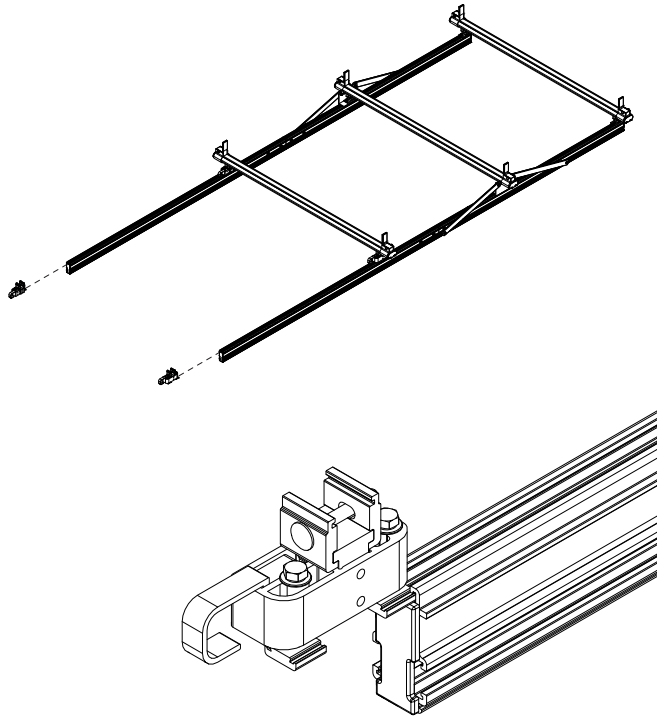


PRE-INSTALLED REMOVABLE CROSSBAR

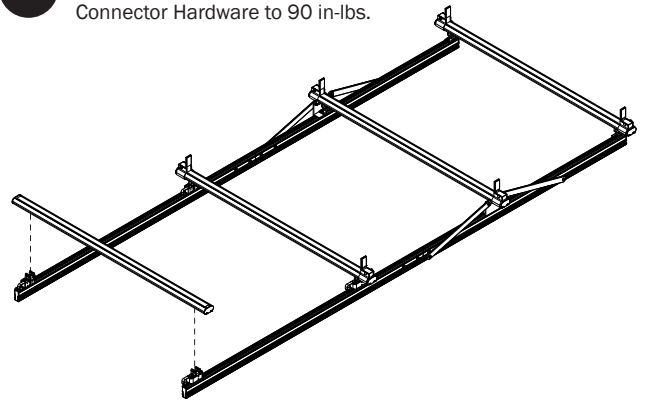


ADD-ON CROSSBAR INSTALLATION

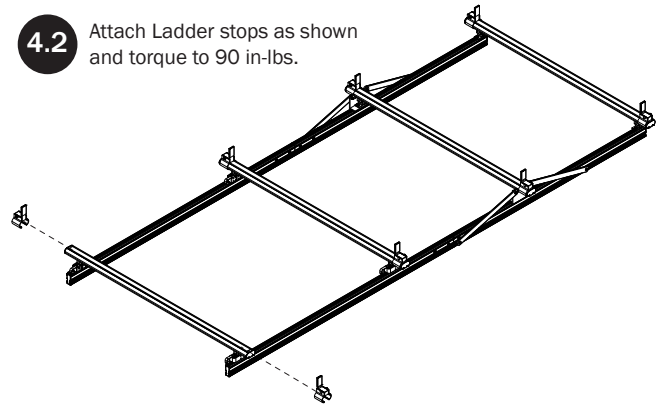
3 Install Mounts into Channels as shown below.



4.1 Set Crossbars into the Mounts as shown and torque Crossbar Connector Hardware to 90 in-lbs.



4.2 Attach Ladder stops as shown and torque to 90 in-lbs.



5 Set to distances as shown below, and torque all Removable Crossbar Mounts into the Channels at 90 in-lbs.

NOTE: Channels and FBM are shown for reference. Specific channels and configurations are determined by Service Body size.

