

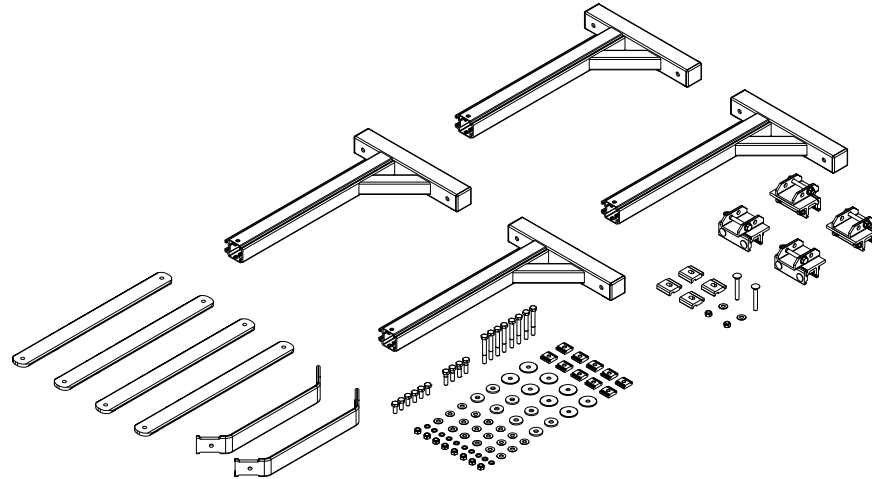
## FBM-1051

### Over The Cab Material Rack Frame Base Mount w/ Brace, Top-Mounted

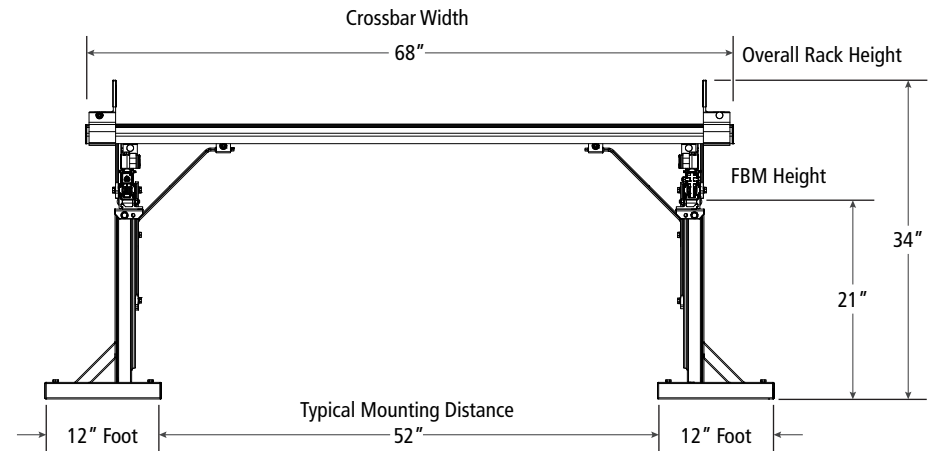
#### Configuration as shown:

- PUR-8233 Base Mount Assembly
- PUR-1232 10" Bent Mounting Brace (x2)
- PUR-1242 18" Mounting Brace (x4)
- HKT-8061 FBM Hardware
- HKT-0188 Crossbar Mounting Hardware

Weigh: 2 lbs



*\*Shown below with Over the Cab Material Rack Modules SRM and OCM in 8' Body Configuration for illustrative purposes*



\* See Page 2 for OTC Rack Configurations and Product Listing

## FBM-1051

### Over The Cab Material Rack Frame Base Mount w/ Brace, Top-Mounted

OTC-8001: 8' & 9' Body; Regular Cab

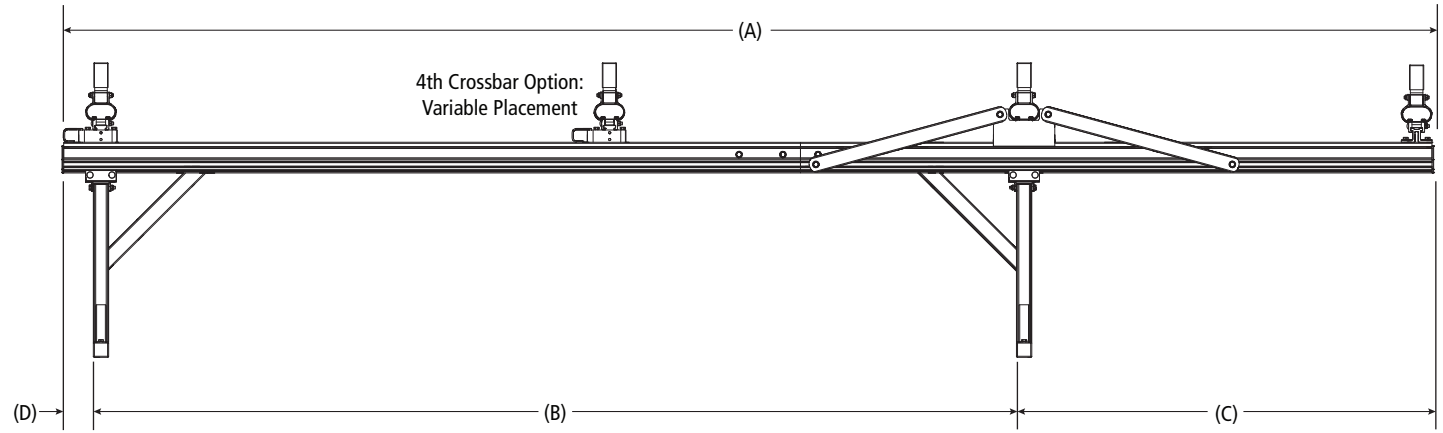
SRM-0072 (x2)..... 72" Side Rail Pair  
FBM-1051 .....Base Mount  
OCM-3031.....3-Crossbar Module  
*OR*  
OCM-3030.....4-Crossbar Module

OTC-8002: 8' & 9' Body; Crew and Extended Cab

SRM-0072 ..... 72" Side Rail Pair  
SRM-0084 ..... 84" Side Rail Pair  
FBM-1051 .....Base Mount  
OCM-3031.....3-Crossbar Module  
*OR*  
OCM-3030.....4-Crossbar Module

OTC-8003: 11' Body; Reg, Crew, and Extended Cab

SRM-0084 (x2)..... 84" Side Rail Pair  
FBM-1051 .....Base Mount  
OCM-3031.....3-Crossbar Module  
*OR*  
OCM-3030.....4-Crossbar Module



CONFIGURATION	SERVICE BODY SIZE	BODY LENGTH	MOUNT SPACING (B)	OVERALL LENGTH (A)	FRONT OFF-SET (C)	REAR OFFSET (D)	REAR CHANNEL LENGTH	FRONT CHANNEL LENGTH
OTC-8001	8' Body Standard Cab	98"	95"	144"	45.625"	3.375"	72"	72"
OTC-8002	8' Body Crew Cab	98"	95"	156"	57.625"	3.375"	84"	72"
OTC-8002	8' Body Extended Cab	98"	95"	156"	57.625"	3.375"	84"	72"
OTC-8001	9' Body Standard Cab	108"	107"	144"	33.625"	3.375"	72"	72"
OTC-8002	9' Body Crew Cab	108"	107"	156"	45.625"	3.375"	84"	72"
OTC-8002	9' Body Extended Cab	108"	107"	156"	45.625"	3.375"	84"	72"
OTC-8003	11' Body Standard Cab	132"	131"	168"	33.625"	3.375"	84"	84"
OTC-8003	11' Body Crew Cab	132"	131"	168"	33.625"	3.375"	84"	84"
OTC-8003	11' Body Extended Cab	132"	131"	168"	33.625"	3.375"	84"	84"