

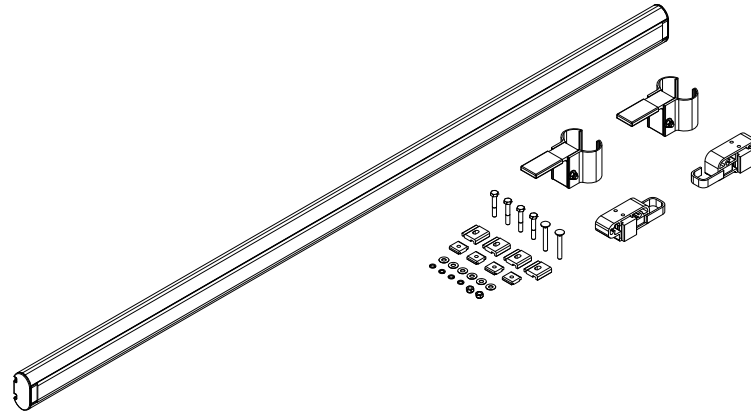
OCM-3032

Over The Cab Material Rack Add-on Crossbar Module

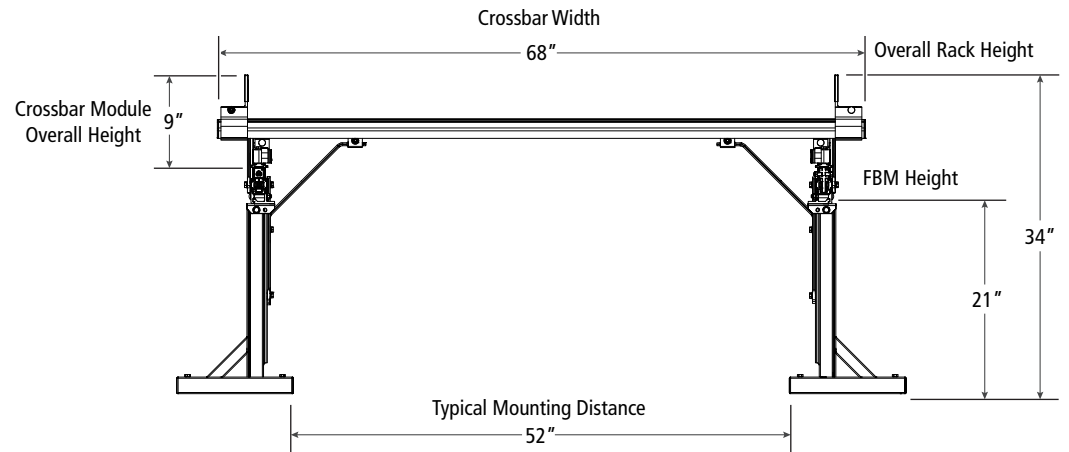
Configuration as shown:

- PUR-7243 67" Heavy Duty Crossbar
- PUR-8234 LH Removable Crossbar Mount
- PUR-8235 RH Removable Crossbar Mount
- PUR-8613 End Stop (x2)
- HKT-0183 Removable Crossbar Hardware Kit

Weight: 15.25 lbs



**Example shown below for illustrative purposes:
8'–9' Body, Crew & Extended Cab Configuration*



* See Page 2 for OTC Rack Configurations and Product Listing

OCM-3032

Over The Cab Material Rack Add-on Crossbar Module

OTC-8001: 8' & 9' Body; Regular Cab

SRM-0072 (x2)..... 72" Side Rail Pair
FBM-1051Base Mount
OCM-3031.....3-Crossbar Module
OCM-3032.....Add-on Removable Crossbar

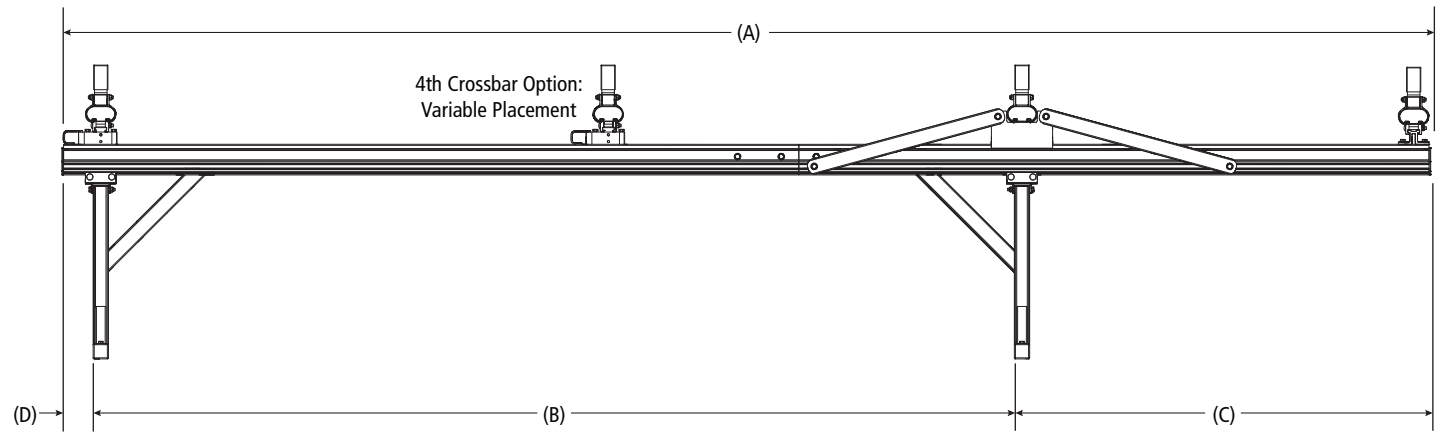
OTC-8002: 8' & 9' Body; Crew and Extended Cab

SRM-0072 72" Side Rail Pair
SRM-0084 84" Side Rail Pair
FBM-1051Base Mount
OOCM-30313-Crossbar Module
OCM-3032.....Add-on Removable Crossbar

OTC-8003: 11' Body; Reg, Crew, and Extended Cab

SRM-0084 (x2)..... 84" Side Rail Pair
FBM-1051Base Mount
OCM-3031.....3-Crossbar Module
OCM-3032.....Add-on Removable Crossbar

**Example shown below for illustrative purposes:
8'-9' Body, Crew & Extended Cab Configuration*



CONFIGURATION	SERVICE BODY SIZE	BODY LENGTH	MOUNT SPACING (B)	OVERALL LENGTH (A)	FRONT OFF-SET (C)	REAR OFFSET (D)	REAR CHANNEL LENGTH	FRONT CHANNEL LENGTH
OTC-8001	8' Body Standard Cab	98"	95"	144"	45.625"	3.375"	72"	72"
OTC-8002	8' Body Crew Cab	98"	95"	156"	57.625"	3.375"	84"	72"
OTC-8002	8' Body Extended Cab	98"	95"	156"	57.625"	3.375"	84"	72"
OTC-8001	9' Body Standard Cab	108"	107"	144"	33.625"	3.375"	72"	72"
OTC-8002	9' Body Crew Cab	108"	107"	156"	45.625"	3.375"	84"	72"
OTC-8002	9' Body Extended Cab	108"	107"	156"	45.625"	3.375"	84"	72"
OTC-8003	11' Body Standard Cab	132"	131"	168"	33.625"	3.375"	84"	84"
OTC-8003	11' Body Crew Cab	132"	131"	168"	33.625"	3.375"	84"	84"
OTC-8003	11' Body Extended Cab	132"	131"	168"	33.625"	3.375"	84"	84"