

HRR-E-SWM-M

Utility Side Wall Mount Series

HRR-E-SWM-90-M configuration shown for illustrative purposes

Module Assemblies:

A: Mounting System[FBM-1028-BLK](#)

B: Rotation Drive Shaft Assembly (LH)[FEA-0020](#)

C: Slide Rotation Assembly (LH)[FEA-0004](#)

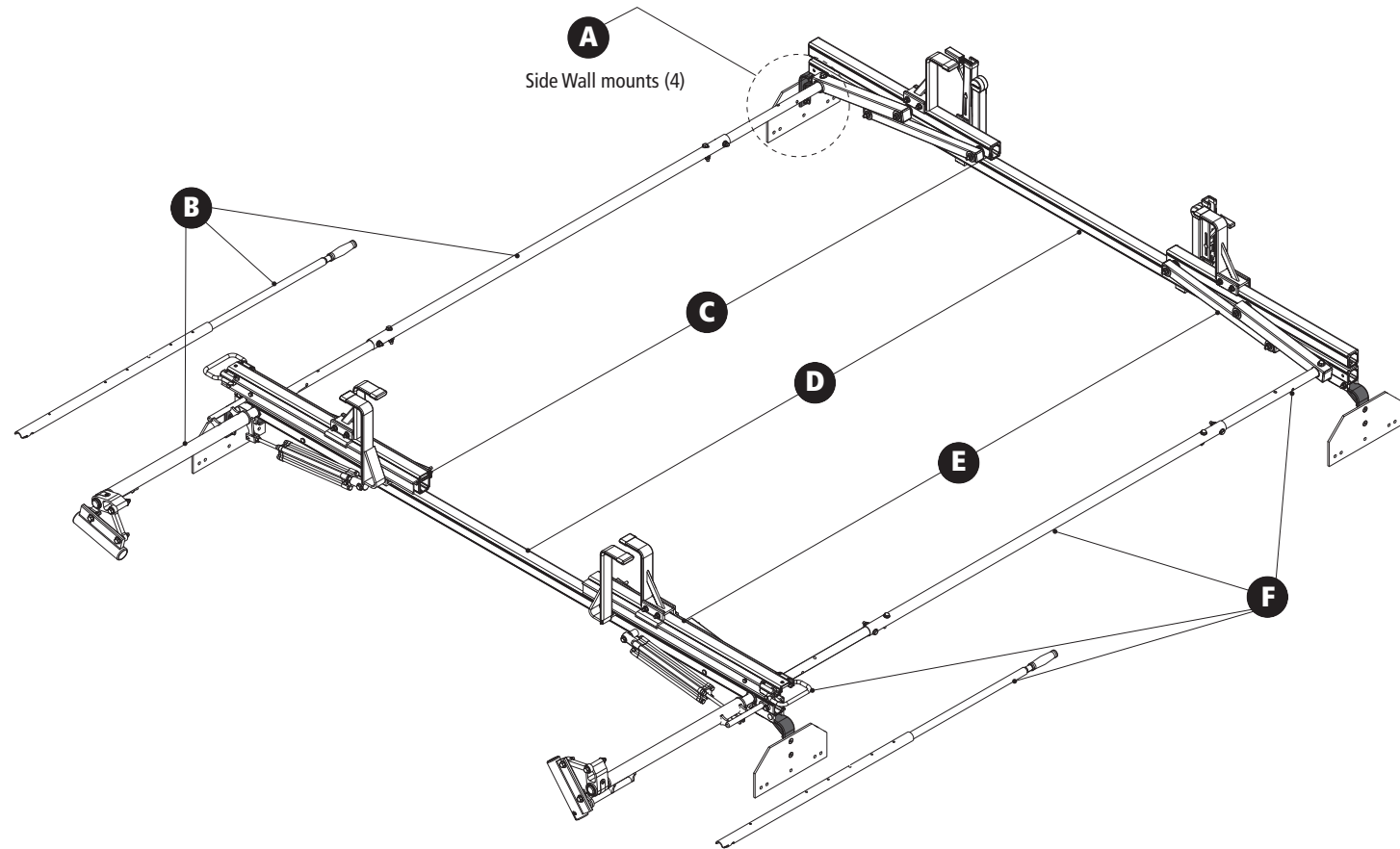
D: Crossbar Assembly Sizes per Rack Configuration:
HRR3-E-SWM-110D-72-M:..... [CBR-0007](#)
HRR3-E-SWM-78-M: [CBR-0005](#)
HRR3-E-SWM-84-M: [CBR-0016](#)
HRR3-E-SWM-90-M: [CBR-0018](#)
HRR3-E-SWM-99-M: [CBR-0020](#)

E: Slide Rotation Assembly (RH)[FEA-0003](#)

F: Rotation Drive Shaft Assembly (RH)[FEA-0019](#)

[Modular Assembly Manuals](#)

*Callouts in this Configuration Overview indicate full module assemblies only. For details on individual parts, please refer to the linked Module Overviews.



HRR-E-SWM-M

Utility Side Wall Mount Series

HRR-E-SWM-90-M configuration shown for illustrative purposes

Approximate dimensions as shown:

A: Total Rack Widths per Configuration:

HRR-E-SWM-110D-72-M:.....	78"
HRR-E-SWM-78-M:	84"
HRR-E-SWM-84-M:	90"
HRR-E-SWM-90-M:.....	96"
HRR-E-SWM-99-M:	102"

B: Rack Height 20.50"

C: Crossbar Spacing 6'–8'

D: Rack Length..... 110"–134"

Compatible Accessories Available

(Sold Separately)

Conduit Carriers.....	CON Series
WorkPro LED Lighting.....	LED Series
Systems and Safety Components	RVS Series
Safety monitoring.....	DS2 Series

