

HRR3-E-SWM-M

Utility Side Wall Mount Series

HRR3-E-SWM-90-M configuration shown for illustrative purposes

Module Assemblies:

A: Mounting System[FBM-1030-BLK](#)

B: Rotation Drive Shaft Assembly (LH)[FEA-0020](#)

C: Slide Rotation Assembly (LH)[FEA-0004](#)

D: Mid Crossbar Kit Sizes per Rack Configuration:

HRR3-E-SWM-110D-72-M:.....[CBR-0022](#)

HRR3-E-SWM-78-M:[CBR-0017](#)

HRR3-E-SWM-84-M:[CBR-0019](#)

HRR3-E-SWM-90-M:[CBR-0021](#)

HRR3-E-SWM-99-M:[CBR-0023](#)

E: Crossbar Assembly Sizes per Rack Configuration:

HRR3-E-SWM-110D-72-M:.....[CBR-0007](#)

HRR3-E-SWM-78-M:[CBR-0005](#)

HRR3-E-SWM-84-M:[CBR-0016](#)

HRR3-E-SWM-90-M:[CBR-0018](#)

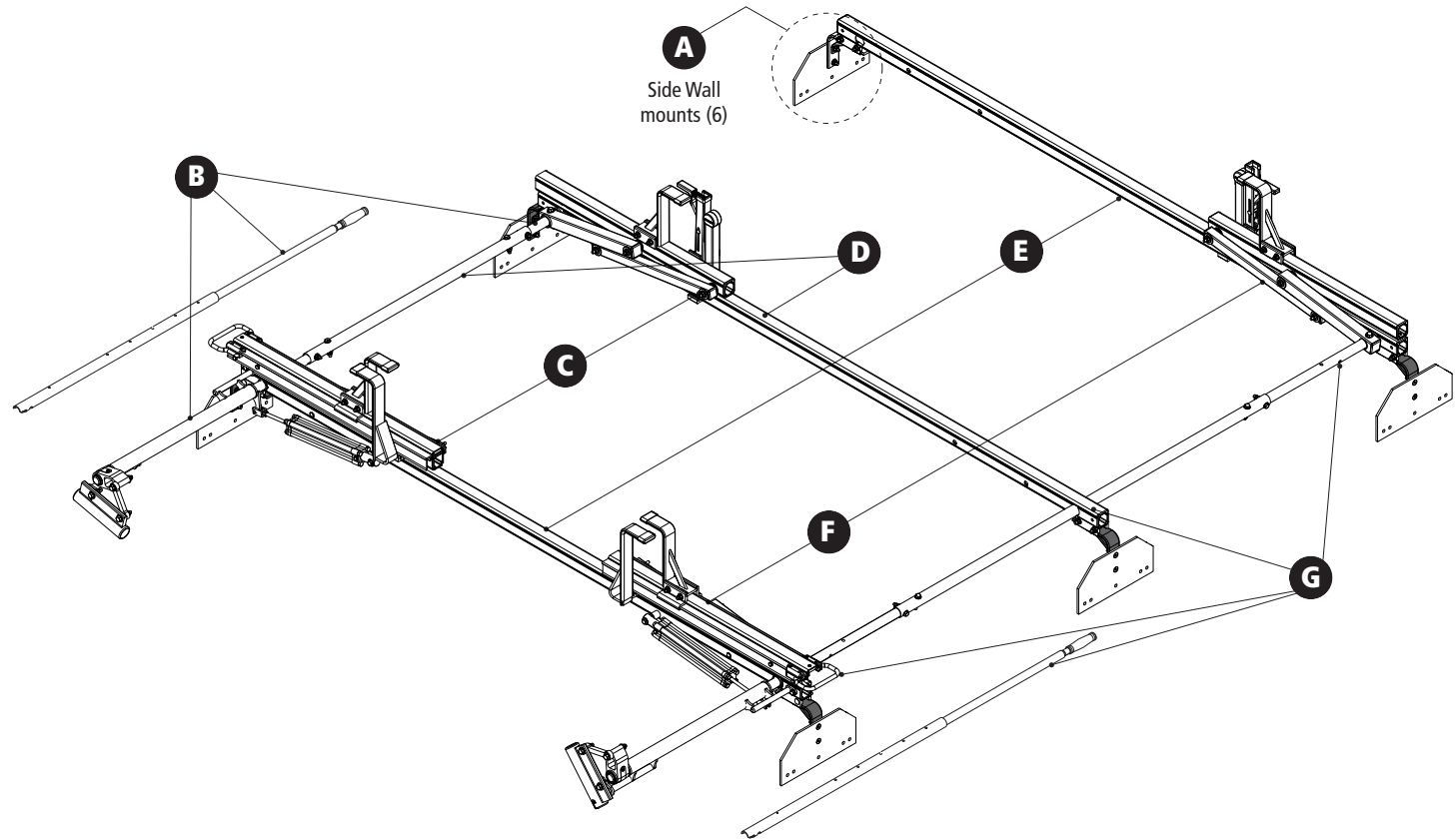
HRR3-E-SWM-99-M:[CBR-0020](#)

F: Slide Rotation Assembly (RH)[FEA-0003](#)

G: Rotation Drive Shaft Assembly (RH)[FEA-0019](#)

[Modular Assembly Manuals](#)

*Callouts in this Configuration Overview indicate full module assemblies only. For details on individual parts, please refer to the linked Module Overviews.



HRR3-E-SWM-M

Utility Side Wall Mount Series

HRR3-E-SWM-90-M configuration shown for illustrative purposes

Approximate dimensions as shown:

A: Total Rack Widths per Configuration:

HRR3-E-SWM-110D-72-M:.....	78"
HRR3-E-SWM-78-M:	84"
HRR3-E-SWM-84-M:	90"
HRR3-E-SWM-90-M:	96"
HRR3-E-SWM-99-M:	102"

B: Rack Height 20.50"

C: Crossbar Spacing (rear to center).....4'

D: Crossbar Spacing (center to front).....2'-4'

E: Total Crossbar Spacing.....6'-8'

F: Rack Length 110"-134"

Compatible Accessories Available

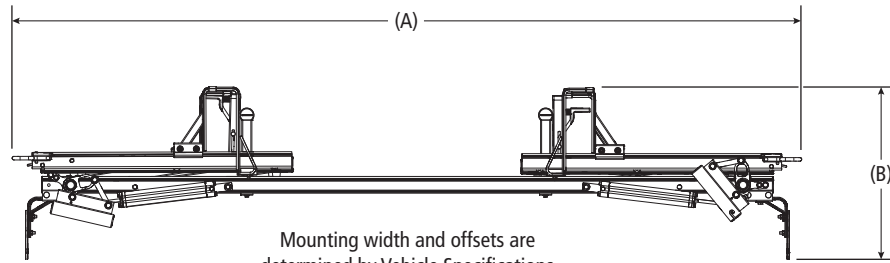
(Sold Separately)

Conduit Carriers.....[CON Series](#)

WorkPro LED Lighting.....[LED Series](#)

Systems and Safety Components[RVS Series](#)

Safety monitoring.....[DS2 Series](#)



Mounting width and offsets are determined by Vehicle Specifications

